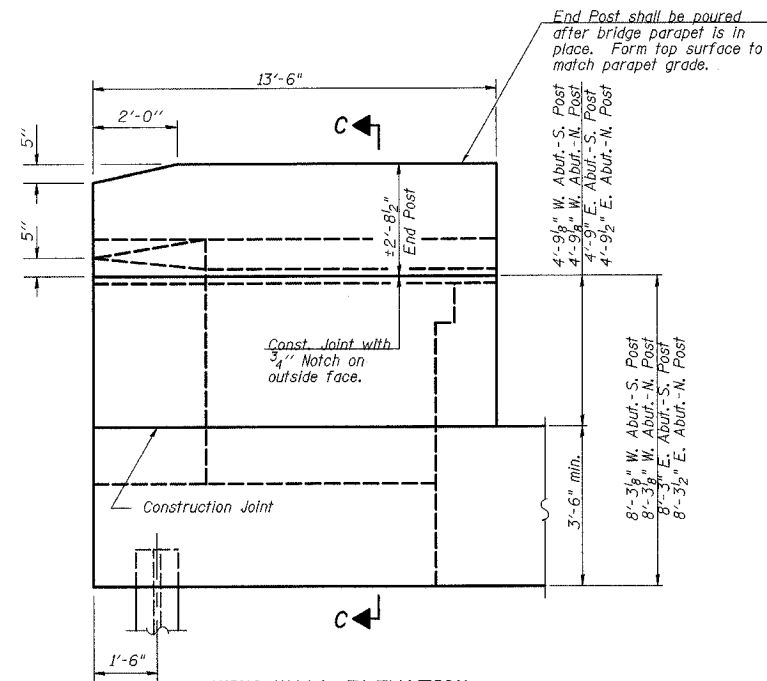


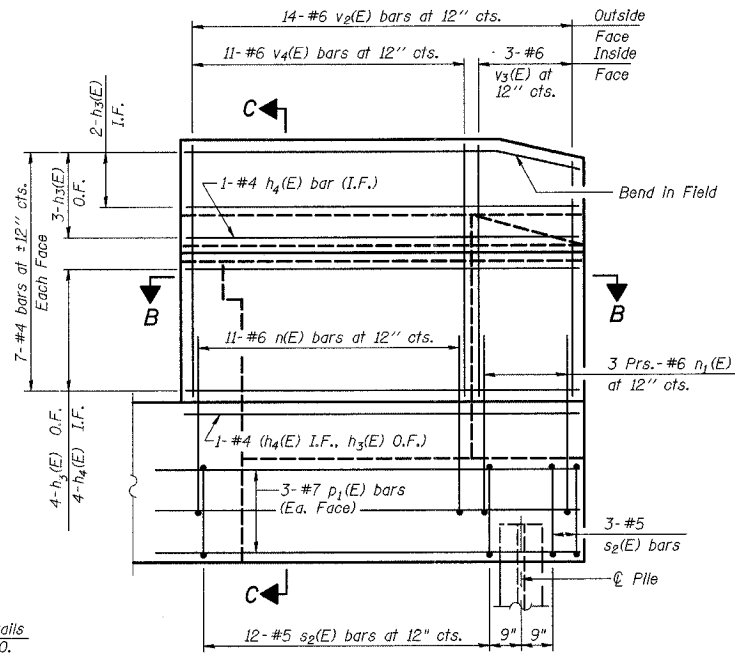
F.A.P. DIST.	SECTION	COUNTY	TOTAL SHEETS	SHEET NO.
711	115(BY)-1JBR	VERMILION	93	61
FED. ROAD DIST. NO.	ILLINOIS	FED. AID PROJECT		

SHEET NO. 14  
SHEETS 20

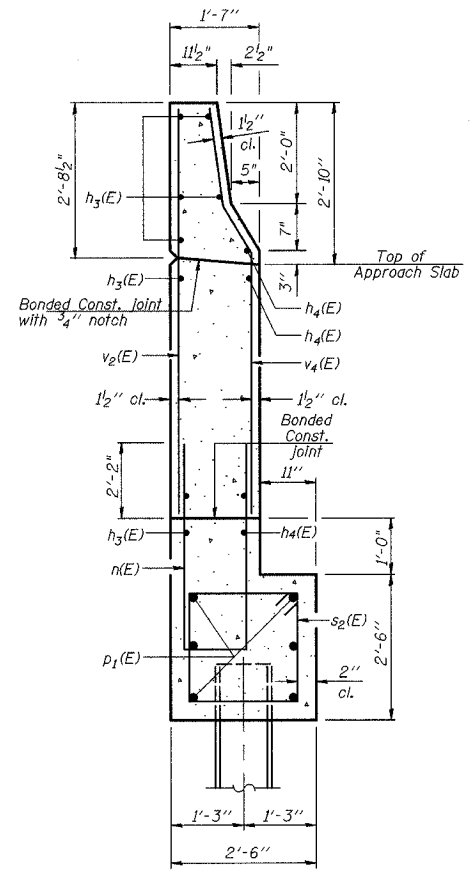
CONTRACT NO. 90843



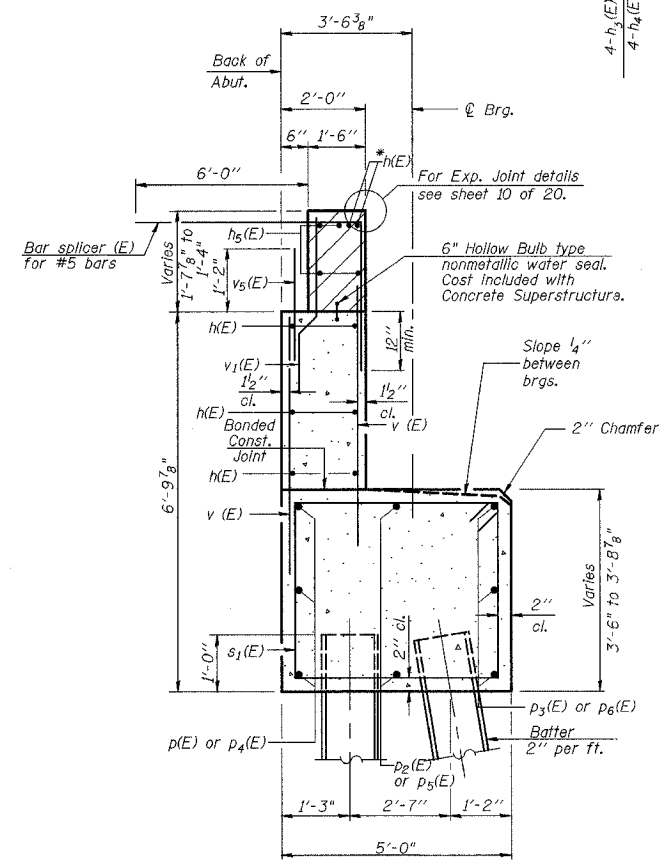
**WING WALL ELEVATION**  
Showing Outside Dimensions



**WING WALL ELEVATION**  
Showing Reinforcement

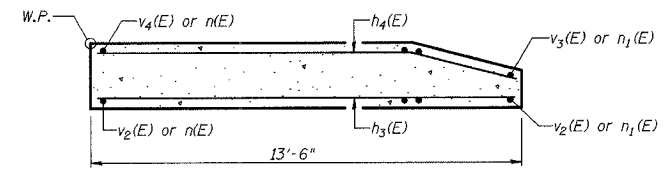


**SEC. C-C**



**SEC. THRU ABUT.**  
(at Rt. L's)

\* See Sheet 8 of 20 for placement.



**SEC. B-B**

**NOTES**  
Hatched area to be poured after superstructure forms have been removed. Quantity of concrete included with Concrete Superstructure. Space reinforcement in cap to miss anchor bolts. Pour steps monolithically with cap. Reinforcement bars designated (E) shall be epoxy coated. Quantity of concrete in end post included with Concrete Superstructure on sheet 7 of 20. Work this Sheet with Sheet 13 of 20. All edges have 3/4" chamfer except as noted.

ILLINOIS DEPARTMENT OF TRANSPORTATION  
**ABUTMENT DETAILS**  
U.S. ROUTE 136 OVER  
BEAN CREEK  
F.A.P. ROUTE 711  
SECTION 115(BY)-1JBR  
VERMILION COUNTY  
STA. 286+77.00  
STRUCTURE NUMBER 092-0201  
DATE: OCT. 2003  
DRAWN BY: MLO/NJV  
CHECKED BY: PBB/SJK