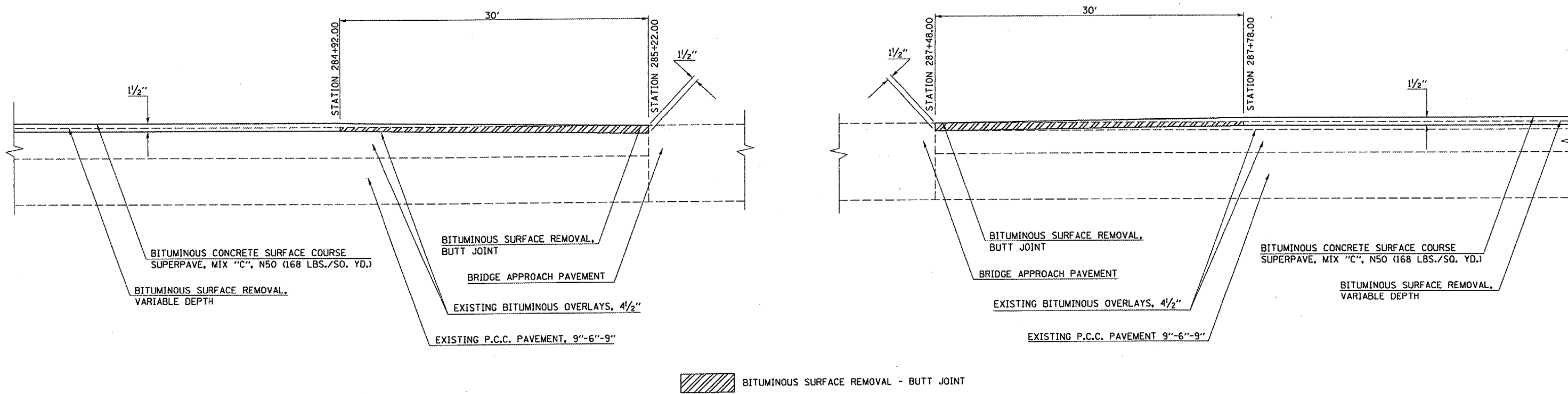


BUTT JOINT DETAIL AT STRUCTURE NO. 092-0064 STATION 286 + 35.00



BUTT JOINT DETAIL AT RAILROAD CROSSING STATION 490 + 19.00

