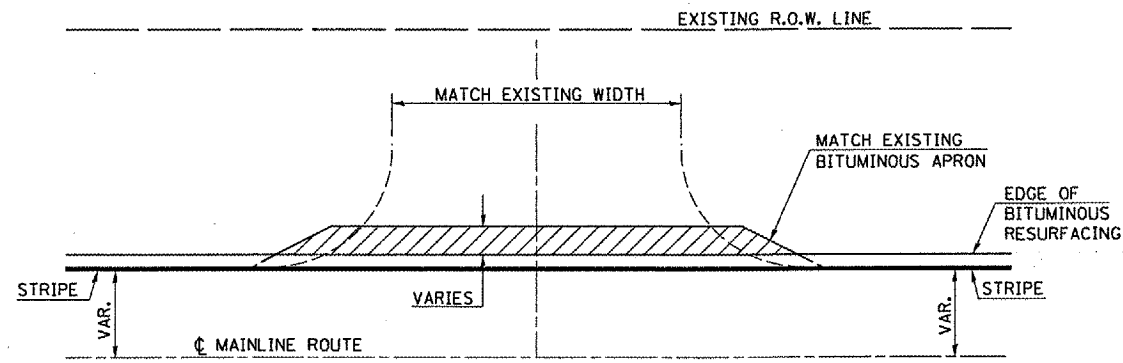
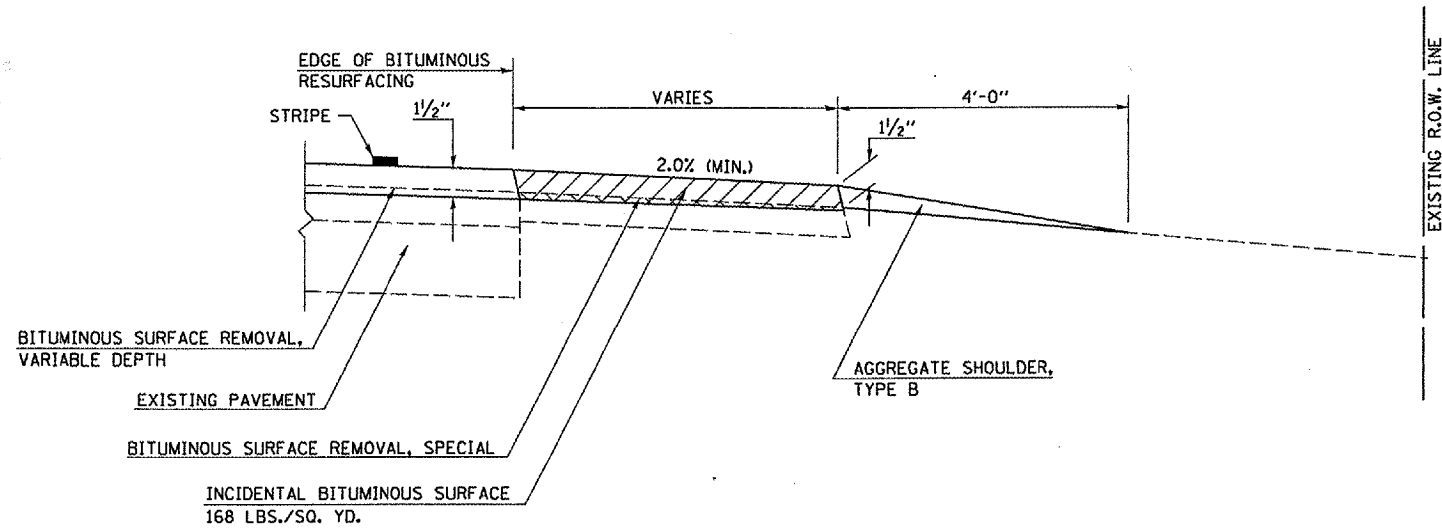


### TYPICAL DETAIL OF RURAL FIELD ENTRANCES

(ENTRANCE WITH EXISTING APRON)



PLAN



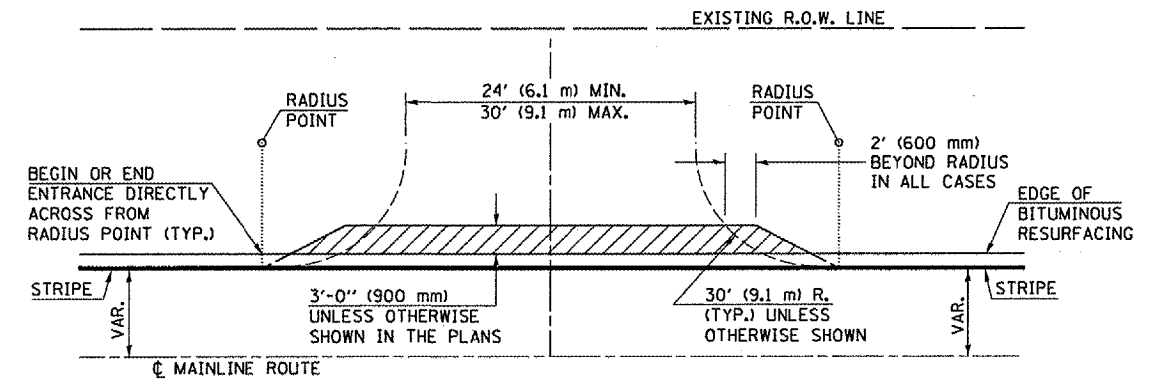
PROFILE

#### GENERAL NOTES

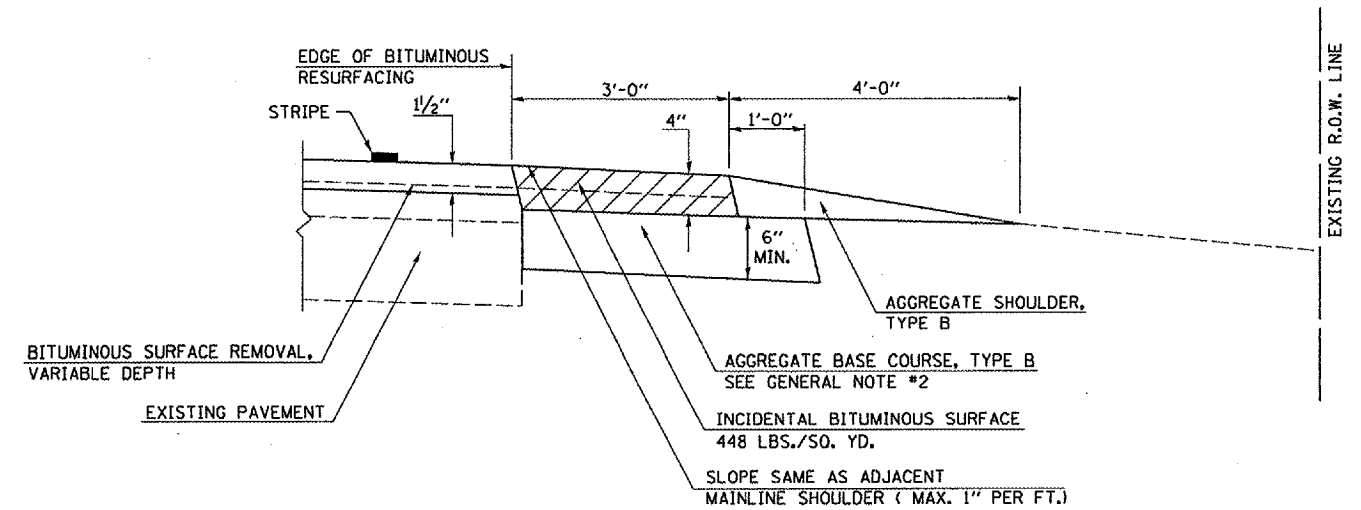
1. THE EXISTING SURFACE SHALL BE PREPARED IN ACCORDANCE WITH SECTION 408 OF THE STANDARD SPECIFICATIONS.
2. THE INCIDENTAL BITUMINOUS SURFACING IS INTENDED TO RESURFACE THE EXISTING ENTRANCES IN THEIR ENTIRETY.
3. ANY NECESSARY WORK BEHIND THE INCIDENTAL BITUMINOUS SURFACING SHALL BE AS SHOWN IN THE PLANS AND/OR AS DIRECTED BY THE ENGINEER.

### TYPICAL DETAIL OF RURAL FIELD ENTRANCES

(ENTRANCE WITHOUT EXISTING APRON)



PLAN



PROFILE

#### GENERAL NOTES

1. THE EXISTING SURFACE SHALL BE PREPARED IN ACCORDANCE WITH SECTION 408 OF THE STANDARD SPECIFICATIONS.
2. AGGREGATE BASE COURSE, TYPE B, 6" (150) MIN. SHALL BE USED WHERE IN THE OPINION OF THE ENGINEER THERE IS NOT SUFFICIENT BASE MATERIAL FOR THE PROPOSED ENTRANCES. THIS MATERIAL SHALL GENERALLY BE USED TO WIDEN ANY EXISTING RETURN OR TO CONSTRUCT NEW ENTRANCES WHERE NONE NOW EXISTS.
3. THE AGGREGATE BASE COURSE SHALL BE CONSTRUCTED 1' (0.3 m) WIDER THAN THE SURFACE DIMENSIONS AS SHOWN ABOVE.
4. ANY NECESSARY WORK BEHIND THE INCIDENTAL BITUMINOUS SURFACING SHALL BE AS SHOWN IN THE PLANS AND/OR AS DIRECTED BY THE ENGINEER.