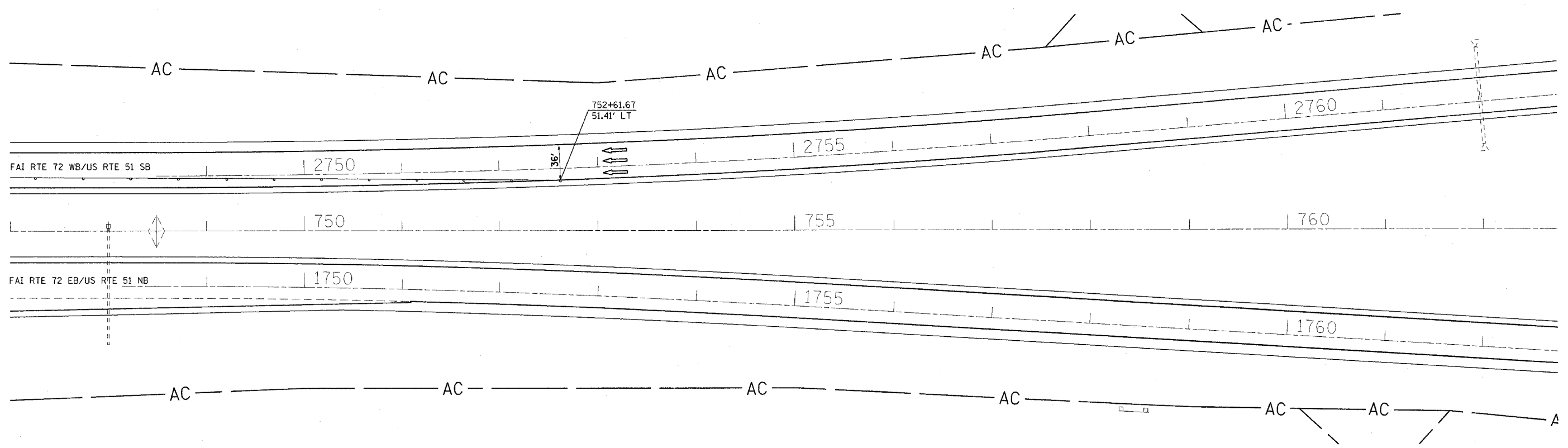
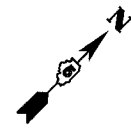
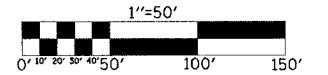


TRAFFIC CONTROL STAGE I

STRUCTURE NUMBER 058-0074 E.B.
STRUCTURE NUMBER 058-0075 W.B.

F.A.I. RTE.	SECTION	COUNTY	TOTAL SHEETS	SHEET NO.
72		MACON	135	64
STA. 747+00		TO STA. 762+00		
FED. ROAD DIST. NO.		ILLINOIS FED. AID PROJECT		

(58-62,58-62-1,58-63)RS
CONTRACT NO. 90879



NOTES:

TRAFFIC DETAILS NOT SHOWN ARE TO CONFORM WITH STANDARD 701402 AND STANDARD 701411 AND SPECIAL FREEWAY DETAIL.

DIRECTION INDICATOR BARRICADES REQUIRED IN ALL LANE CLOSER TAPERS WHEN USING STANDARD 701401 AND 701402 AND SPECIAL FREEWAY DETAIL.

MESSAGE BOARD MAY BE ADJUSTED TO MEET FIELD CONDITIONS.

RESIDENT ENGINEER AND TRAFFIC CONTROL SUPERVISOR WILL PROVIDE APPROPRIATE MESSAGE FOR THE CHANGEABLE MESSAGE SIGN.

PAVEMENT MARKING REMOVAL	SQ. FT.
STATION TO STATION	FOOT
LT 747+00.00 TO LT 752+61.67	187
747+00.00 TO 752+61.67	187
TOTAL	374

TEMPORARY PAINT PAVEMENT MARKING LINE 4"	FOOT	COLOR
STATION TO STATION	FOOT	
LT 747+00.00 TO LT 752+61.67	562	YELLOW
TOTAL	562	

REVISIONS	
NAME	DATE

ILLINOIS DEPARTMENT OF TRANSPORTATION
TRAFFIC CONTROL - STAGE I
F.A.I. ROUTE 72
SECTION (58-62,58-62-1,58-63)RS
MACON COUNTY

SCALE: VERT. 1" = 50'
HORIZ. 1" = 50'
DATE 10/22/03

DRAWN BY CADD
CHECKED BY