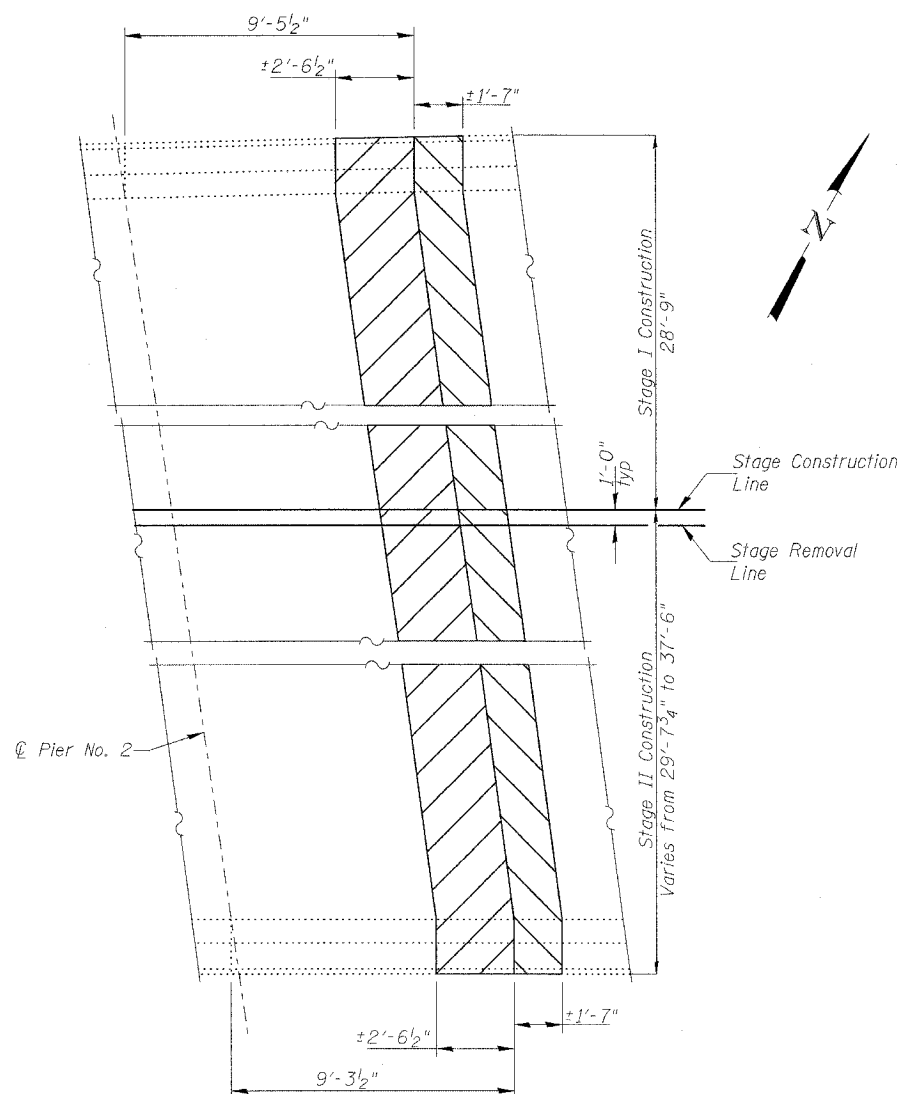


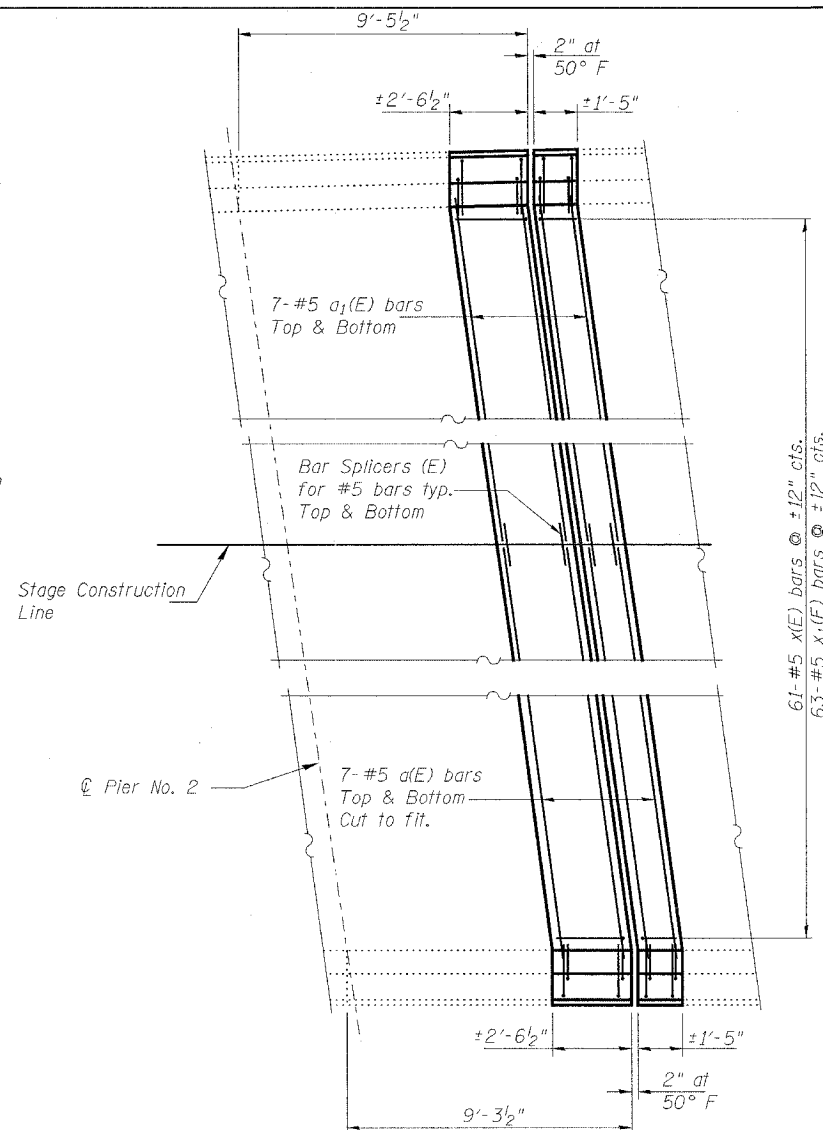
F.A.I. RTE.	SECTION	COUNTY	TOTAL SHEETS	SHEET NO.
72		MACON	135	107

58-62,58-62-1,58-63HRS
CONTRACT NO. 90879

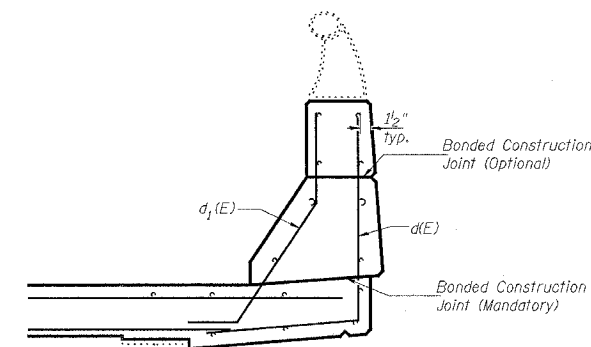
SHEET 12 of 16



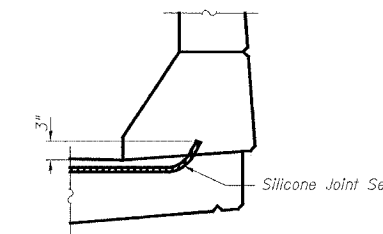
EXISTING PARTIAL PLAN
JOINT AT LINK



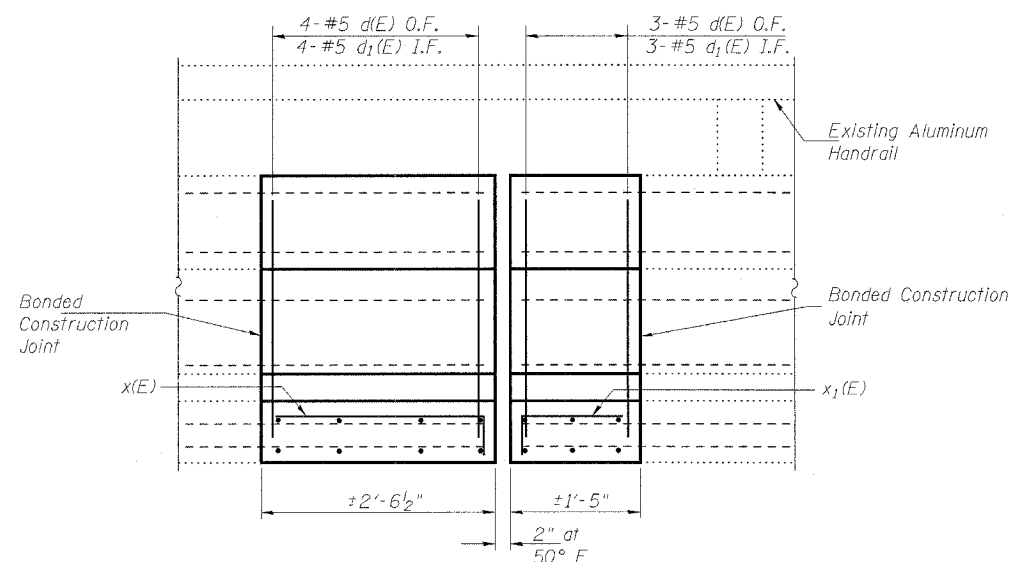
PROPOSED PARTIAL PLAN
JOINT AT LINK



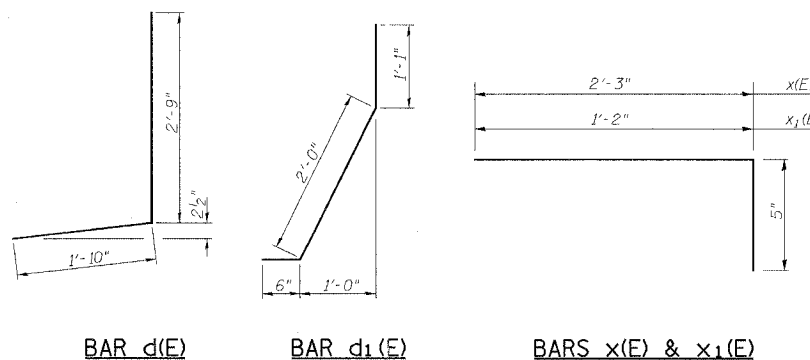
SECTION THRU PARAPET



TYPICAL END OF SEAL TREATMENT AT EXPANSION JOINT



PARAPET ELEVATION AT LINK



BILL OF MATERIAL

Bar	No.	Size	Length	Shape
d(E)	14	#5	28'-0"	—
a1(E)	14	#5	36'-10"	—
d(E)	14	#5	4'-7"	┌
d1(E)	14	#5	3'-7"	┌
x(E)	61	#5	2'-8"	—
x1(E)	63	#5	1'-7"	—
Reinforcement Bars, Epoxy Coated			Pound	1340
Concrete Superstructure			Cu. Yd.	7.5

Reinforcement bars designated (E) shall be epoxy coated.
Hatched area indicates Concrete Removal.
I.F. = Inside Face
O.F. = Outside Face

JOINT REPAIR AT LINK
F.A.I. ROUTE 72 SEC. 58-63HVB
MACON COUNTY
S.N. 058-0074