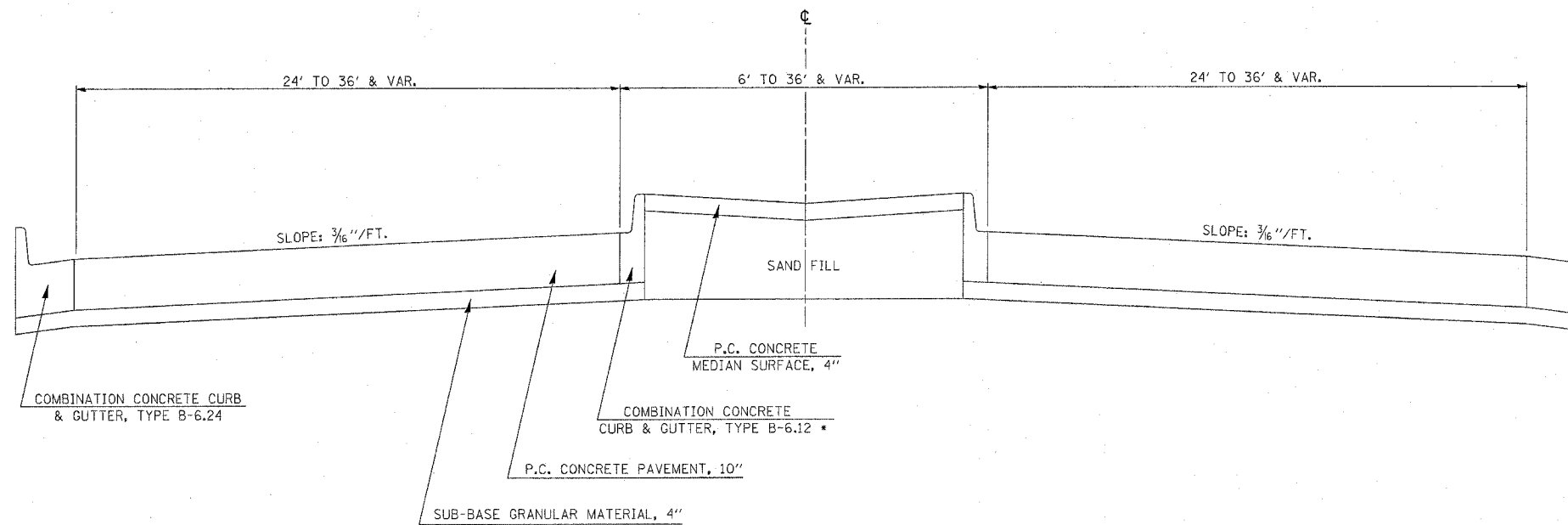


F.A.P. RTE.	SECTION	COUNTY	TOTAL SHEETS	SHEET NO.
320		MACON	51	6

• (126X)RS-1&135[(R)RS&(BR-1)BR]
CONTRACT NO. 90926

EXISTING TYPICAL CROSS SECTION

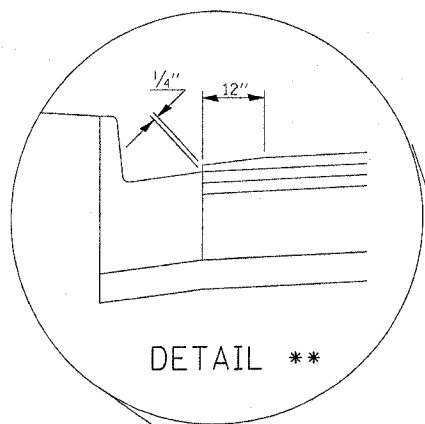
STATION TO STATION
 1021+00.00 TO 1060+85.17 (STRUCTURE NO. 058-0050)
 1062+58.83 TO 1068+21.75
 STATION EQUATION: 1068+21.75 (BK) = 50+49.38 (AH)



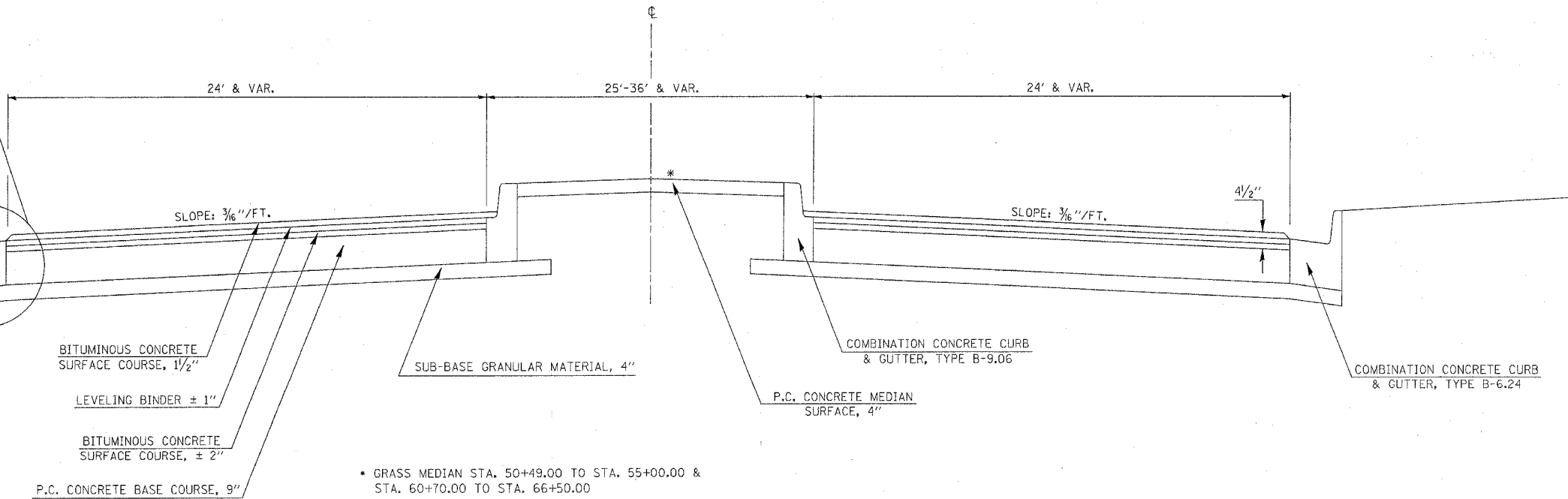
• COMBINATION CONCRETE CURB & GUTTER, TYPE B-6.24
STA. 1021+00 TO STA. 1024+00

EXISTING TYPICAL CROSS SECTION

STATION TO STATION
 50+49.38 TO 55+61.20
 56+77.00 TO 66+50.00
 STATION EQUATION: 1068+21.75 (BK) = 50+49.38 (AH)



DETAIL **



• GRASS MEDIAN STA. 50+49.00 TO STA. 55+00.00 & STA. 60+70.00 TO STA. 66+50.00

** AT ALL OUTSIDE EDGE OF PAVEMENT GUTTER LOCATIONS (NOT AT MEDIAN GUTTER)