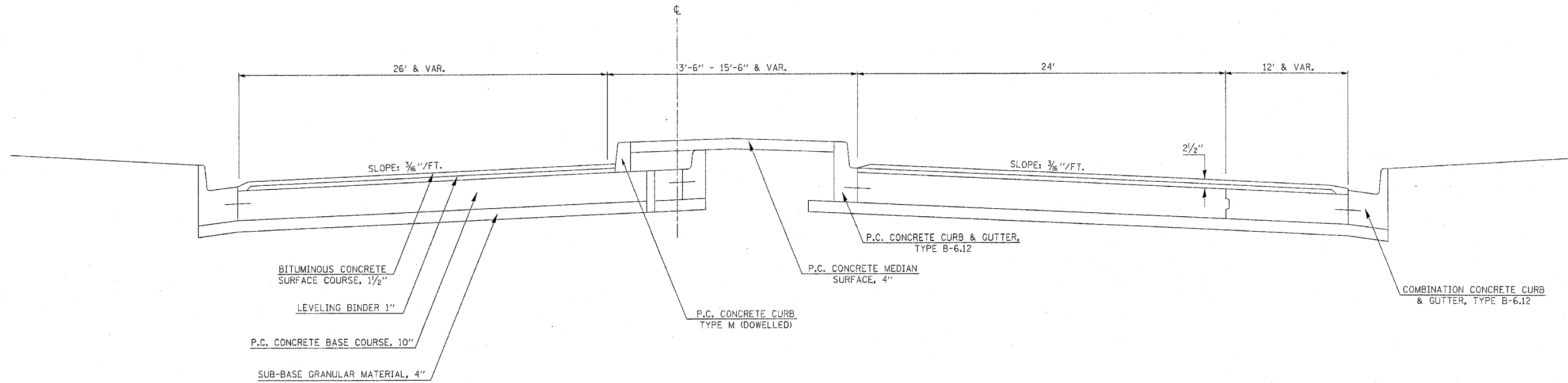


EXISTING TYPICAL CROSS SECTION

STATION 32+00.00 TO STATION 37+33.00

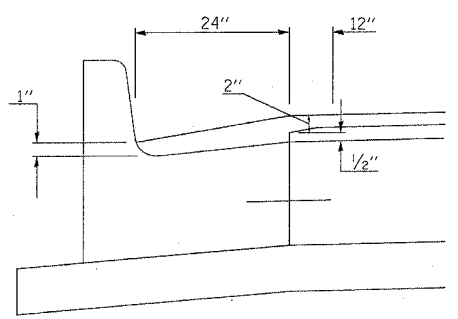
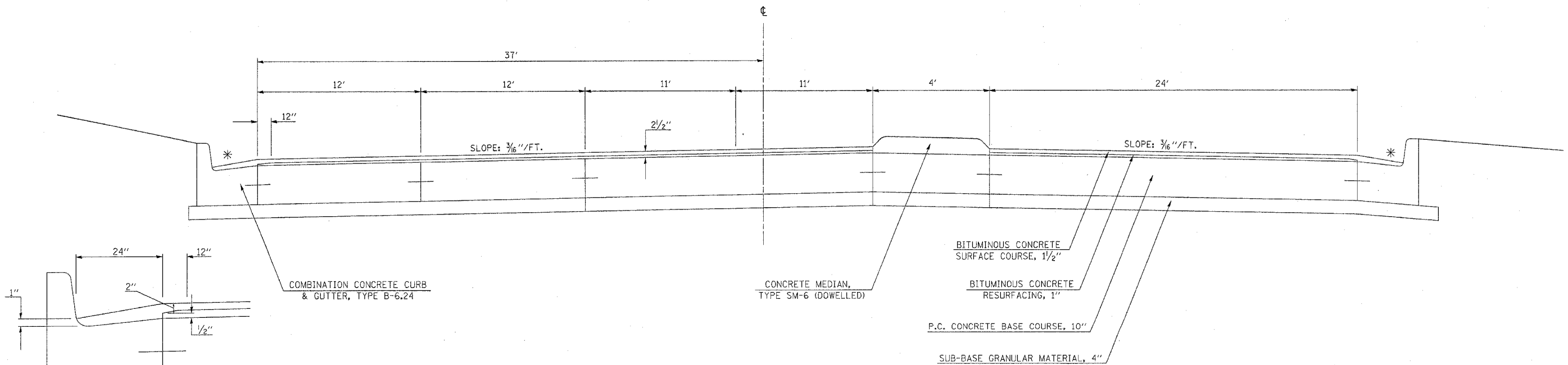
F.A.P. RTE.	SECTION	COUNTY	TOTAL SHEETS	SHEET NO.
320		MACON	51	9

(126)RS-1&135(R)RS&(BR-1)BR
CONTRACT NO. 90926



EXISTING TYPICAL CROSS SECTION

STATION 37+33.00 TO STATION 42+76.73



* DETAIL