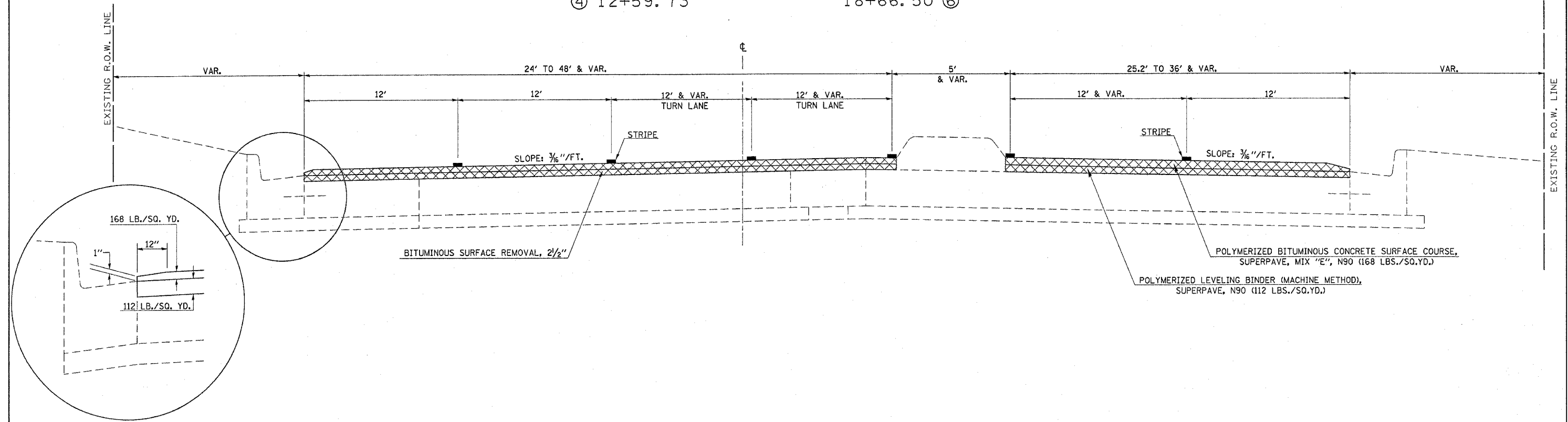


F.A.P. RTE.	SECTION	COUNTY	TOTAL SHEETS	SHEET NO.
320		MACON	51	13

PROPOSED TYPICAL CROSS SECTION ⑤

STATION ④ 12+59.73 TO STATION 18+66.50 ⑥

(126X)RS-1&135[(R)RS&(BR-1)BR]
CONTRACT NO. 90926



PROPOSED TYPICAL CROSS SECTION ⑥

STATION ⑤ 18+66.50 TO STATION 32.00+00 ⑦

