

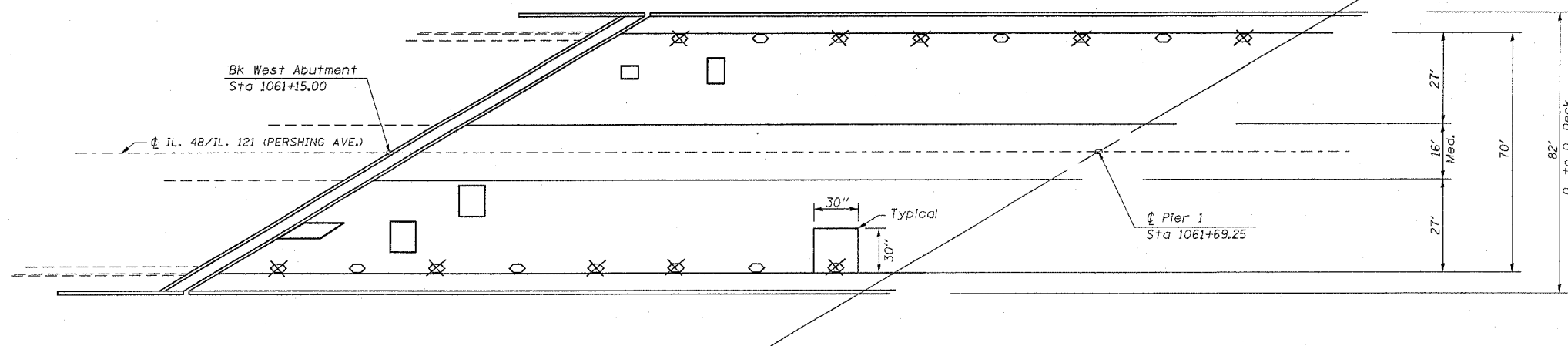
F.A.P. RTE.	SECTION	COUNTY	TOTAL SHEETS	SHEET NO.
320	*	MACON	51	42

(126)RS-1&135(R)RS&(BR-1)BR
 CONTRACT NO. 90926

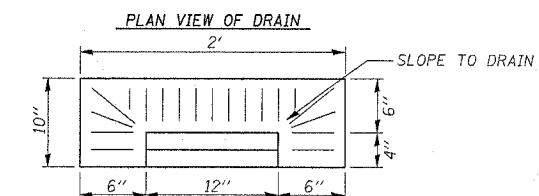
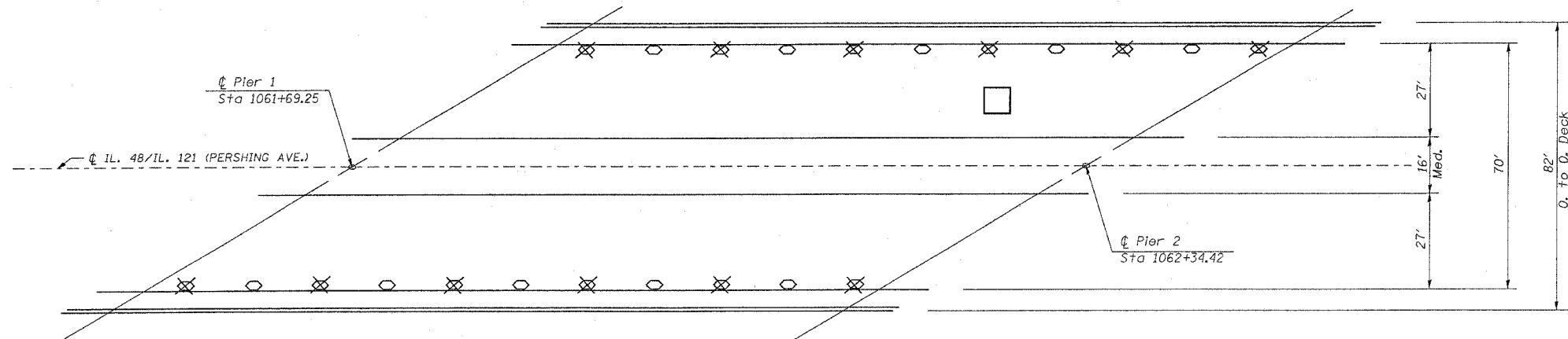
SHEET 5 OF 10



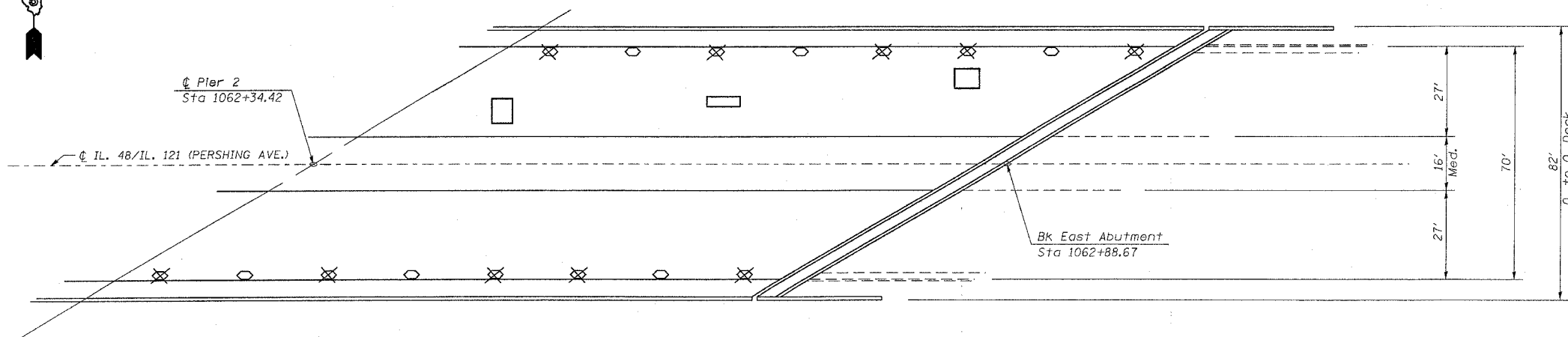
BRIDGE DECK SLAB REPAIR PLAN - SPAN 1



BRIDGE DECK SLAB REPAIR PLAN - SPAN 2



BRIDGE DECK SLAB REPAIR PLAN - SPAN 3



Notes: Areas of full depth patching are located at each deck drain and as shown on the plan view of the deck. The exact size and location of the patches shall be determined by the Engineer.

Drains at the end of the deck, both drains on each side of the piers and every other drain in between are to be removed and will be paid for as Full Depth Patches. The minimum patch dimensions shall be 30" X 30".

- Full Depth Patches
- Deck Drains
- ⊗ Deck Drains to be removed