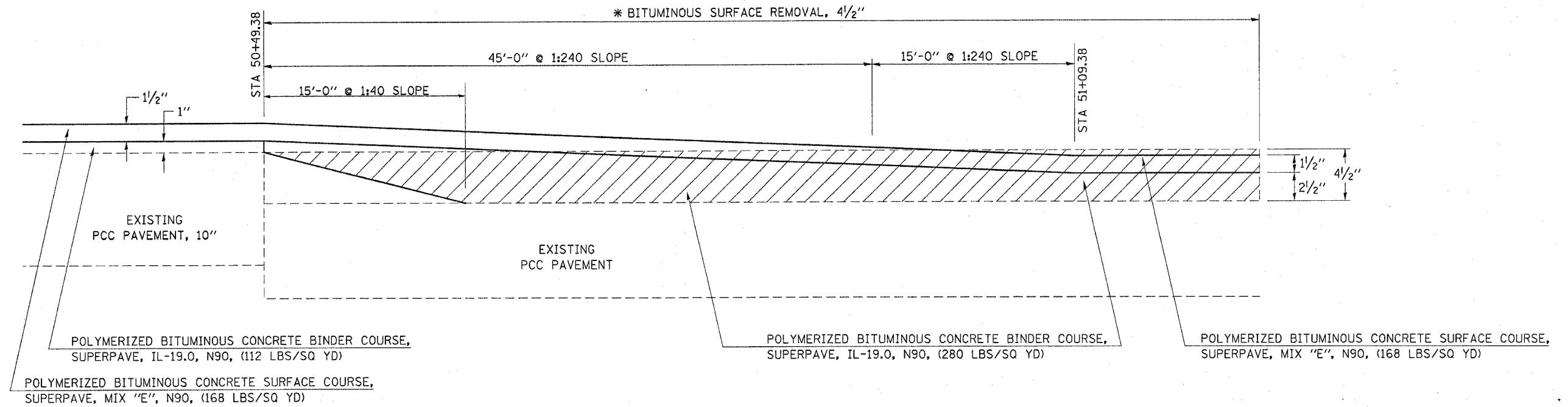


F.A.P. RTE.	SECTION	COUNTY	TOTAL SHEETS	SHEET NO.
320		MACON	51	48

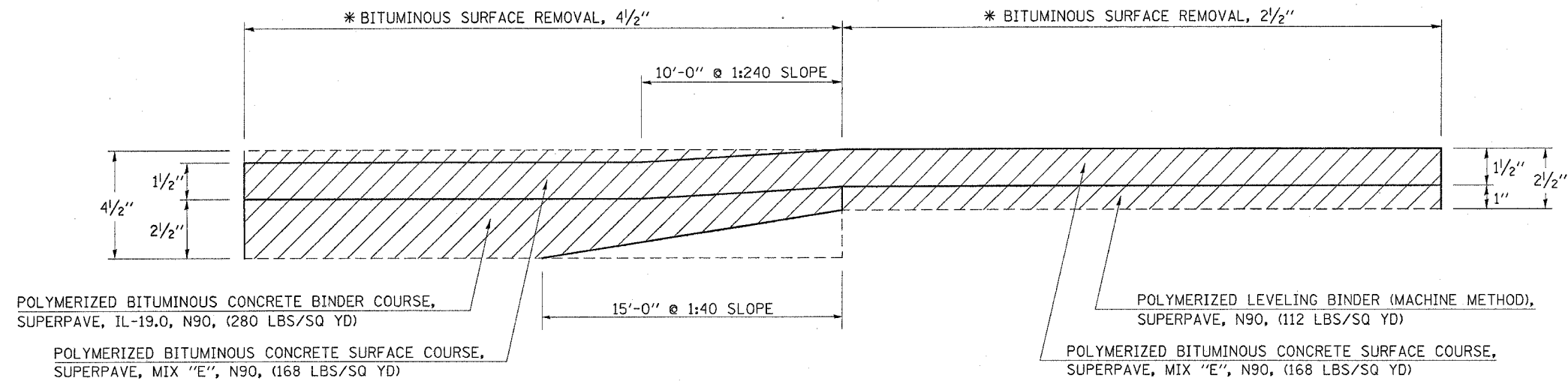
• (126)RS-1&135I(R)RS&(BR-1)BRJ
CONTRACT NO. 90926

DETAIL OF BITUMINOUS TRANSITION WEST OF MAIN ST.



* NOTE: THE INTENTION OF THE BITUMINOUS SURFACE REMOVAL IS TO REMOVE THE EXISTING BITUMINOUS RESURFACING DOWN TO THE EXISTING CONCRETE.

DETAIL OF BITUMINOUS TRANSITION EAST OF WATER ST.



* NOTE: THE INTENTION OF THE BITUMINOUS SURFACE REMOVAL IS TO REMOVE THE EXISTING BITUMINOUS RESURFACING DOWN TO THE EXISTING CONCRETE.