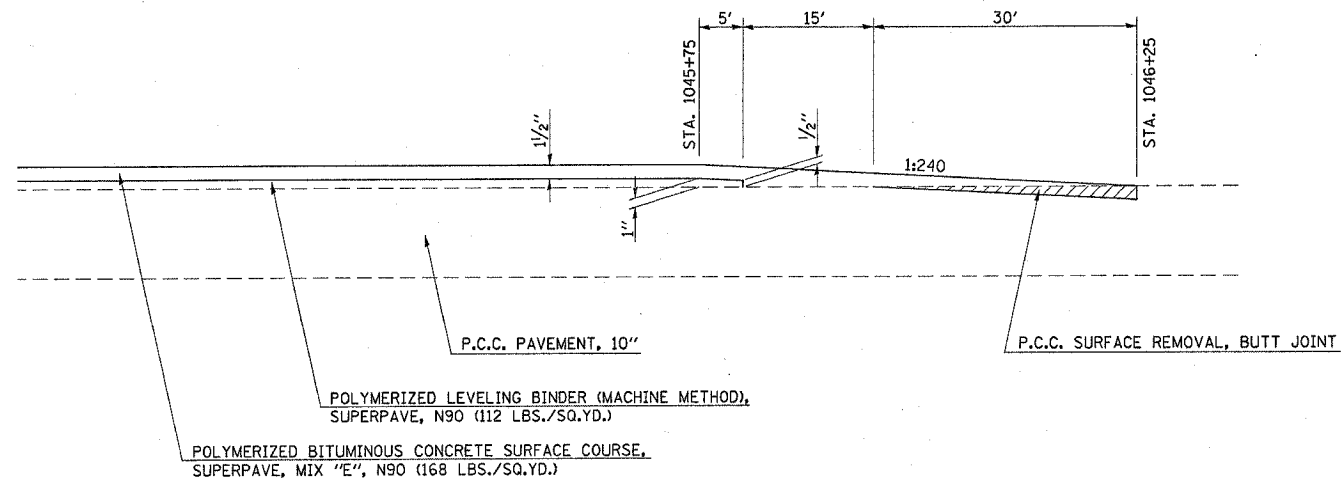


### BUTT JOINT DETAIL

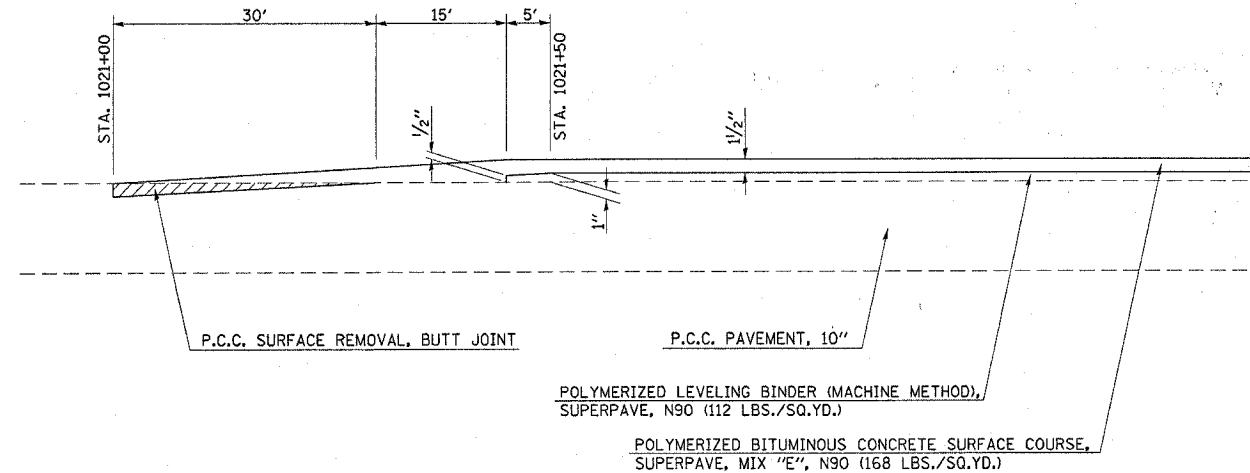
RIGHT TURN LANE



### BUTT JOINT DETAIL

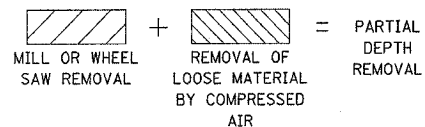
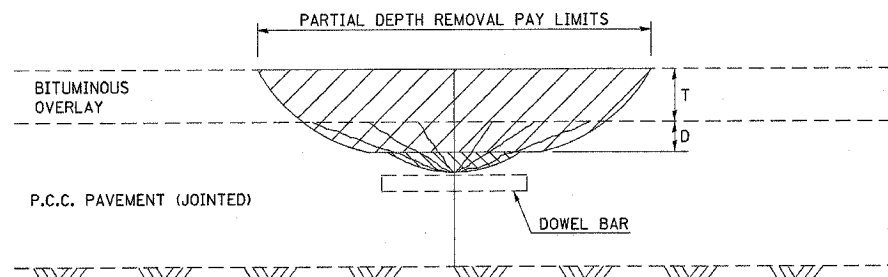
F.A.P. RTE.	SECTION	COUNTY	TOTAL SHEETS	SHEET NO.
320		MACON	51	49

(126)RS-1&135(R)RS&(BR-1)BR  
CONTRACT NO. 90926



### PAVEMENT PATCHING (PARTIAL DEPTH)

(PREVIOUSLY RESURFACED JOINTED P. C. C. PAVEMENT)



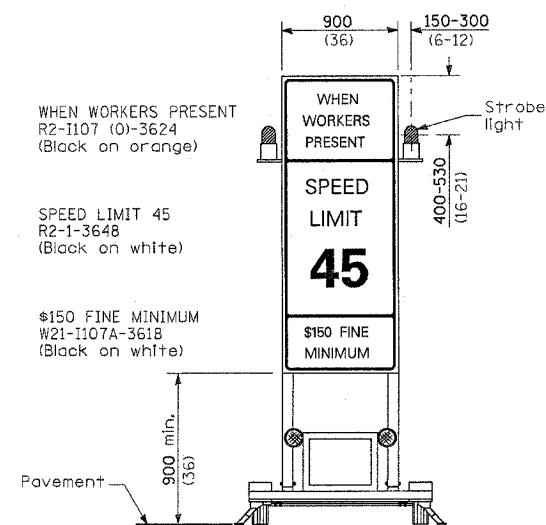
#### GENERAL NOTES

- ALL VOLUME OF REMOVAL LIMITS TO BE REPLACED WITH BITUMINOUS MIXTURE FOR PATCHING.
- T = THICKNESS OF BITUMINOUS OVERLAY(S). SEE TYPICAL CROSS SECTIONS.
- D = DEPTH OF MACHINE REMOVAL INTO EXISTING P. C. C. PAVEMENT (3" (75 mm) ± OR TO SOUND CONCRETE).
- JOINT LOCATION SHOWN - OTHER LOCATIONS SIMILAR.

ALL DIMENSIONS ARE IN INCHES (MILLIMETERS) UNLESS OTHERWISE SHOWN.

	NAME	DATE	REVISIONS	
	NAME	DATE	NAME	DATE
DESIGNED	D.L.P.	2/99		
CHECKED	J.M.S.	2/99	D.L.P.	03/99
CADD NO.	C-5.01		K.A.G.	06/03

### SPECIAL DETAIL - STANDARD 2298



#### CONSTRUCTION SPEED LIMIT SIGN

	NAME	DATE	REVISIONS	
	NAME	DATE	NAME	DATE
DESIGNED	CENTRAL OFFICE			
CHECKED	D.L.P.	3/13/96		
CADD NO.	F-5.05			