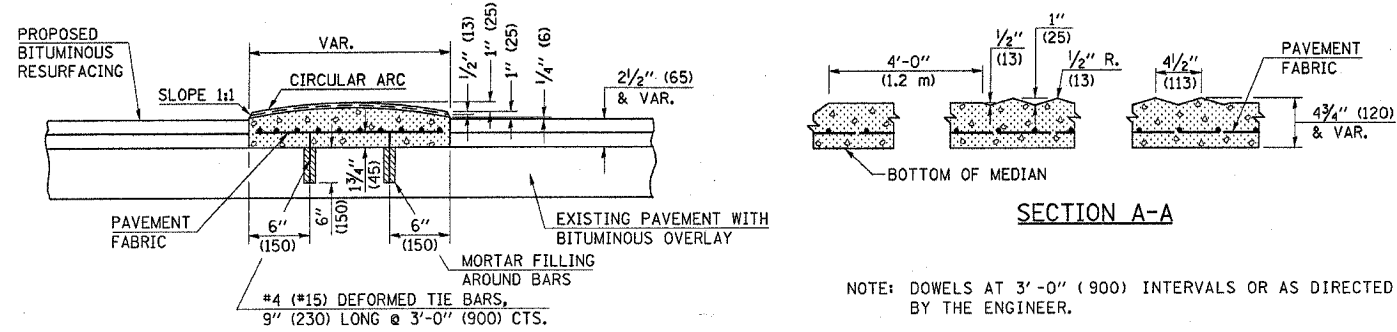


DETAIL OF CORRUGATED MEDIAN (DOWELED)

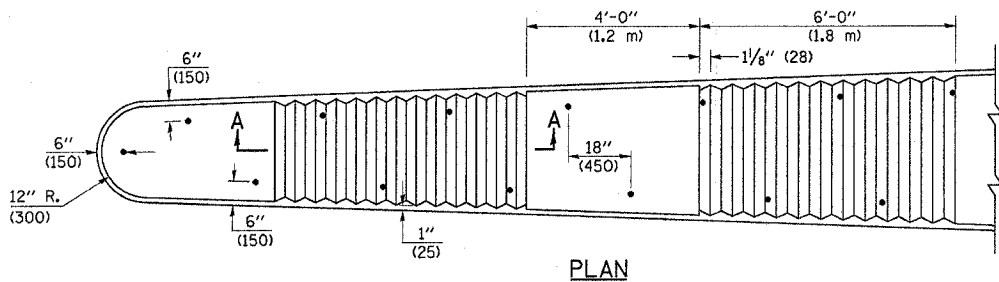


TRANSVERSE SECTION

SECTION A-A

NOTE: DOWELS AT 3'-0" (900) INTERVALS OR AS DIRECTED BY THE ENGINEER.

NOTE: THE COST OF FURNISHING AND INSTALLING DOWEL BARS AND MORTAR FILLING SHALL BE INCLUDED IN THE CONTRACT UNIT PRICE PER SQ. FT. (m²) FOR CORRUGATED MEDIAN (DOWELED).

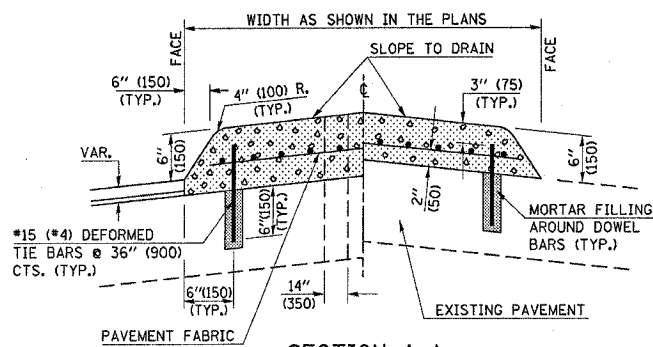


PLAN

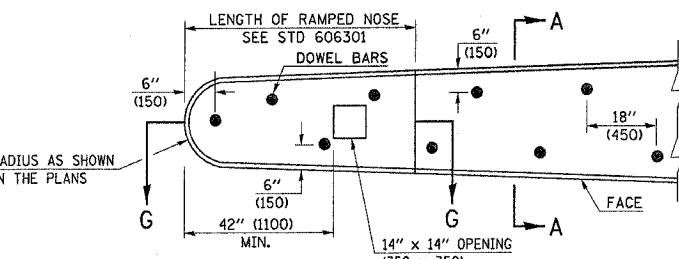
		NAME	DATE	REVISIONS	
		DESIGNED	J.H.M.	4-89	NAME
CHECKED		J.M.H.	4-89	D.L.P.	07/96
CADD NO.		A-5.01		K.A.G.	06/03

ALL DIMENSIONS ARE IN INCHES (MILLIMETERS) UNLESS OTHERWISE SHOWN.

DETAIL OF CONCRETE MEDIAN, TYPE SM-15 OR SM-6 (DOWELED)



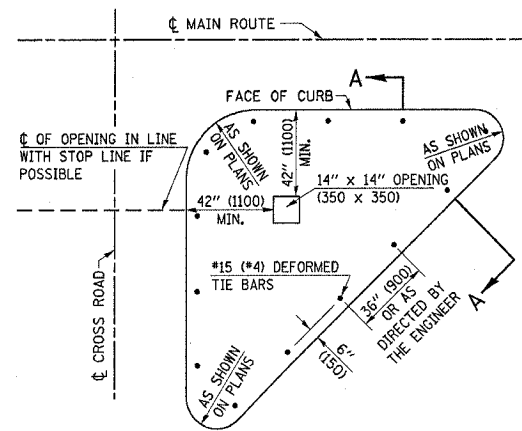
SECTION A-A



PLAN OF MEDIAN

GENERAL NOTES

1. THE GENERAL NOTES FOR STANDARD 606301 SHALL APPLY.
2. SECTION G-G SHALL BE THE SAME AS SHOWN ON STANDARD 606301.
3. DOWEL BARS @ 36" (900) CTS. OR AS DIRECTED BY THE ENGINEER.
4. THIS WORK WILL BE PAID FOR AT THE CONTRACT UNIT PRICE PER SQ FOOT (m²) FOR CONCRETE MEDIAN, TYPE SM-15 (DOWELED), INCLUDING THE COST OF FURNISHING AND INSTALLING THE DOWEL BARS, MORTAR FILLING, PAVEMENT FABRIC AND THE REMOVAL AND DISPOSAL OF THE EXISTING PAVEMENT FOR THE 14" x 14" (350 x 350) OPENING, IF REQUIRED, AND NO ADDITIONAL COMPENSATION WILL BE ALLOWED.



PLAN OF CORNER ISLAND

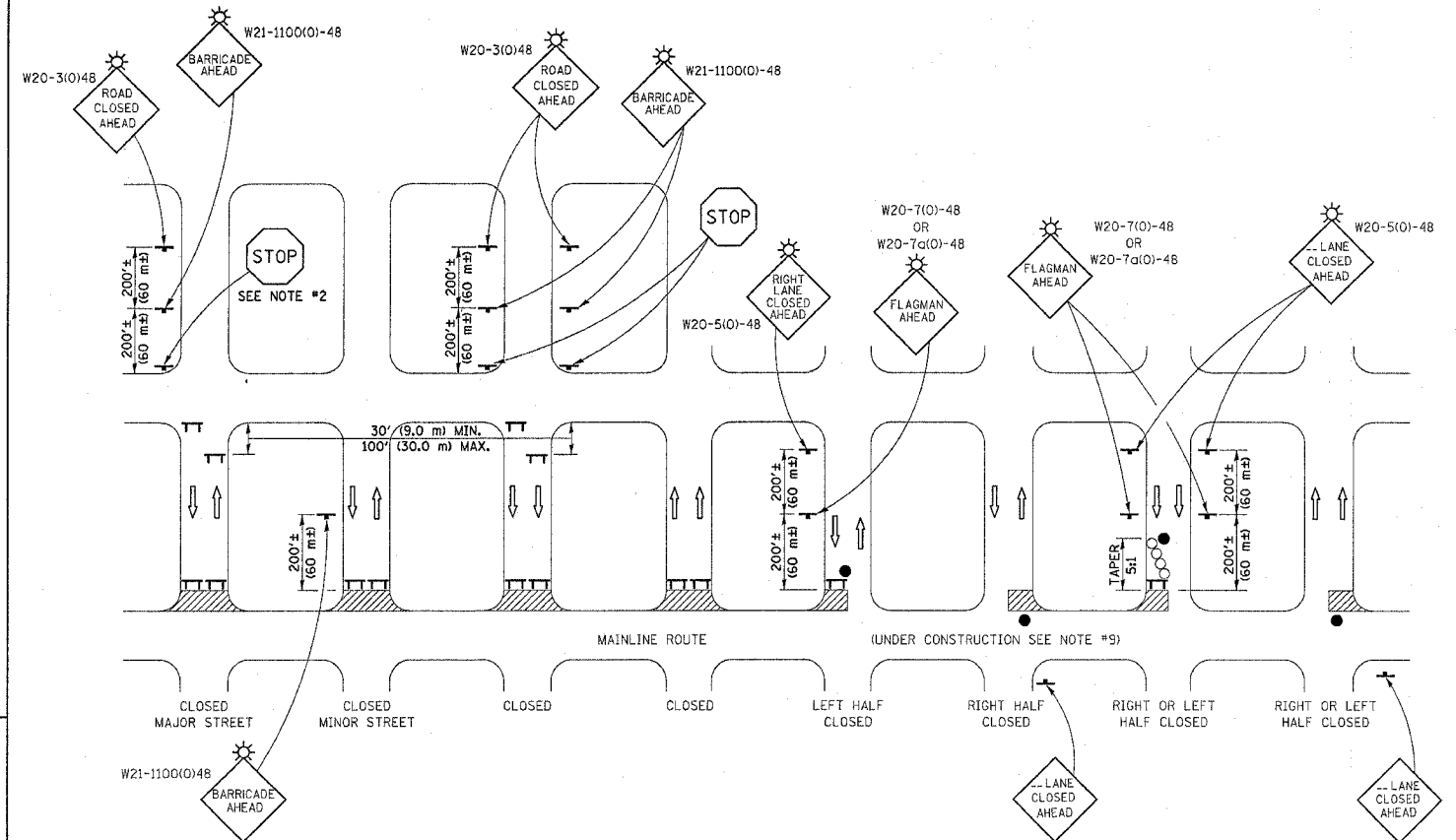
		NAME	DATE	REVISIONS	
		DESIGNED	J.M.H.	1-89	NAME
CHECKED		F.M.S.	1-89	J.Y.B.	06/02
CADD NO.		A-5.07		K.A.G.	06/03

ALL DIMENSIONS ARE IN INCHES (MILLIMETERS) UNLESS OTHERWISE SHOWN.

F.A.P. RTE.	SECTION	COUNTY	TOTAL SHEETS	SHEET NO.
320		MACON	51	51

(126X)RS-1&135(R)RS&(BR-1)BR1
CONTRACT NO. 90926

TYPICAL APPLICATION OF TRAFFIC CONTROL DEVICES FOR SIDE STREET CLOSURE



GENERAL NOTES

1. TYPE III BARRICADES SHALL BE AS SHOWN ON "TYPICAL APPLICATIONS OF TYPE III BARRICADES CLOSING A ROAD". EACH TYPE III BARRICADE SHALL HAVE TWO FLASHING AMBER LIGHTS MOUNTED ABOVE IT.
2. WHERE A STOP CONDITION EXISTS, AS SHOWN ABOVE, WARNING SIGNS MAY BE OMITTED IN ADVANCE OF THE "STOP" SIGN.
3. STANDARD 702001 SHALL APPLY FOR THE PLACEMENT & MANUFACTURE OF TYPE III BARRICADES.
4. ALL SIGNS SHALL BE POST MOUNTED IF THE CLOSURE TIME EXCEEDS FOUR DAYS.
5. ONE FLASHING LIGHT IS REQUIRED ABOVE EACH ADVANCE WARNING SIGN DURING HOURS OF DARKNESS.
6. LONGITUDINAL DIMENSIONS MAY BE ADJUSTED SLIGHTLY TO FIT FIELD CONDITIONS.
7. FORMS BT 725 AND BT 726 ARE REQUIRED.
8. THE MAINLINE ROUTE TEMPORARY TRAFFIC CONTROL SHALL BE IN ACCORDANCE WITH THE PLANS, SPECIAL PROVISIONS AND STANDARD SPECIFICATIONS.
9. THIS WORK WILL NOT BE PAID FOR SEPARATELY BUT SHALL BE CONSIDERED INCLUDED IN THE VARIOUS PAY ITEMS INVOLVING THE RECONSTRUCTION OF ALL APPLICABLE SIDE STREETS AND NO ADDITIONAL COMPENSATION WILL BE ALLOWED.

SYMBOLS

- TT TYPE III BARRICADE (SEE NOTE)
- ⚡ FLASHING LIGHT
- FLAGGER WITH TRAFFIC CONTROL SIGN (WHILE WORK IS BEING PERFORMED)
- CONE (DAYLIGHT HOURS ONLY), DRUM, TYPE I OR TYPE II BARRICADE
- ▨ WORK AREA
- ⇄ TRAFFIC FLOW

		NAME	DATE	REVISIONS	
		DESIGNED	J.H.M.	8-11-87	NAME
CHECKED		P.E.K.	8-25-87	R.M.H.	12/97
CADD NO.		F-5.04		K.A.G.	08/03

ALL DIMENSIONS ARE IN INCHES (MILLIMETERS) UNLESS OTHERWISE SHOWN.