

| ROUTE NO. | SECTION | COUNTY | TOTAL SHEETS | SHEET NO. |
|------------|----------------|---------|--------------------|-----------|
| T.R. 82 | 01-11135-00-BR | DeWITT | 17 | 2 |
| ROAD DIST. | ILLINOIS | WAPELLA | CONTRACT NO. 91302 | |

SUMMARY OF QUANTITIES

X080-2A

| NUMBER | ITEM | UNIT | QUANTITY |
|------------|---|-------|----------|
| * 20100500 | TREE REMOVAL, ACRES | ACRE | 1.4 |
| 20200100 | EARTH EXCAVATION | CU YD | 966 |
| 20300100 | CHANNEL EXCAVATION | CU YD | 4,990 |
| * 20400800 | FURNISHED EXCAVATION | CU YD | 2,881 |
| * 25001000 | SEEDING, CLASS 2 (SPECIAL) | ACRE | 1.3 |
| 25100630 | EROSION CONTROL BLANKET | SQ YD | 237 |
| 28000250 | TEMPORARY EROSION CONTROL SEEDINGS | POUND | 260 |
| 28000400 | PERIMETER EROSION BARRIER | FOOT | 1500 |
| * 28100208 | STONE RIPRAP, CLASS A4 (SPECIAL) | TON | 1,555 |
| * 28102600 | STONE RIPRAP DITCH | TON | 618 |
| 40200800 | AGGREGATE SURFACE COURSE, TYPE B | TON | 716 |
| * 50100200 | REMOVAL OF EXISTING STRUCTURES | L SUM | 1 |
| 50300225 | CONCRETE STRUCTURES | CU YD | 60.2 |
| * 50400605 | PRECAST PRESTRESSED CONCRETE DECK BEAMS (33" DEPTH) | SQ FT | 5,400 |
| 50800105 | REINFORCEMENT BARS | POUND | 14,550 |
| 50900205 | STEEL RAILING, TYPE S1 | FOOT | 401 |
| 51201600 | FURNISHING STEEL PILES HP12X53 | FOOT | 1,032 |
| 51202700 | DRIVING STEEL PILES | FOOT | 1,032 |
| 51203600 | TEST PILE STEEL HP12X53 | EACH | 2 |
| 51204315 | CONCRETE ENCASEMENT | CU YD | 151.0 |
| 51500100 | NAME PLATES | EACH | 1 |
| * 70101700 | TRAFFIC CONTROL AND PROTECTION | L SUM | 1 |
| * X5020501 | UNDERWATER STRUCTURE EXCAVATION PROTECTION - LOCATION NO. 1 | EACH | 1 |
| * X5020502 | UNDERWATER STRUCTURE EXCAVATION PROTECTION - LOCATION NO. 2 | EACH | 1 |

*SEE SPECIAL PROVISIONS

GENERAL NOTES

WHERE SECTION OR SUBSECTION MONUMENTS ARE ENCOUNTERED, THE ENGINEER SHALL BE NOTIFIED BEFORE SUCH MONUMENTS ARE REMOVED. THE CONTRACTOR SHALL PROTECT AND CAREFULLY PRESERVE ALL PROPERTY MARKS AND MONUMENTS UNTIL THE OWNER, AND AUTHORIZED SURVEYOR OR AGENT HAS WITNESSED OR OTHERWISE REFERENCED THEIR LOCATION.

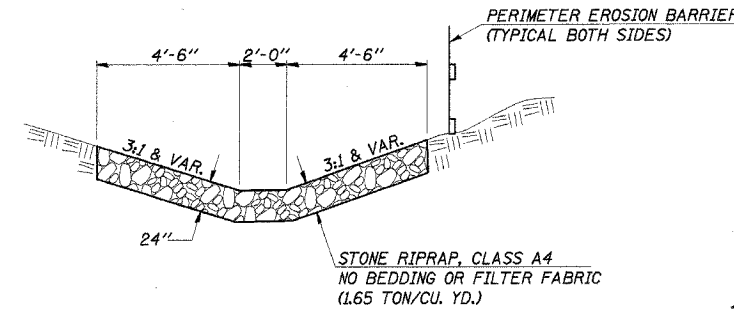
THE AREA TO BE SEEDDED SHALL CONSIST OF ALL DISTURBED EARTH SURFACES WITHIN THE RIGHT OF WAY AND EASEMENTS, AS DIRECTED BY THE ENGINEER.

SEEDING, CLASS 2 (SPECIAL) = 1.3 ACRE

TREE REMOVAL, ACRES

ALL TREES WITHIN THE LIMITS SHOWN BELOW AND THE ADJACENT SHOWN R.O.W. AND EASEMENT WHICH INTERFERE WITH CONSTRUCTION SHALL BE REMOVED ONLY AS DIRECTED BY THE ENGINEER. SEE SPECIAL PROVISIONS.

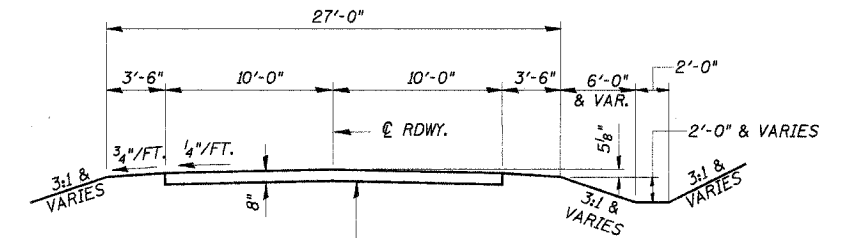
15' LT. STA. 10+00 TO 15' LT. STA. 14+50 = 0.33 ACRE
 10' RT. STA. 10+00 TO 10' RT. STA. 14+50 = 0.40 ACRE
 20' LT. STA. 15+25 TO 20' LT. STA. 18+25 = 0.26 ACRE
 10' RT. STA. 15+40 TO 10' RT. STA. 18+00 = 0.31 ACRE
 60' LT. STA. 14+20 TO 60' LT. STA. 15+71.69 = 0.09 ACRE
 TOTAL = 1.39 ACRE USE 1.4 ACRE



STONE RIPRAP DITCH

LT. STA. 15+60 TO STA. 18+10
 RT. STA. 16+20 TO STA. 18+10
 TOTAL QUANTITY = 618 TONS

SUGGESTED FILL SECTION
 CONSTRUCT AS SHOWN BY
 STATION CROSS SECTIONS

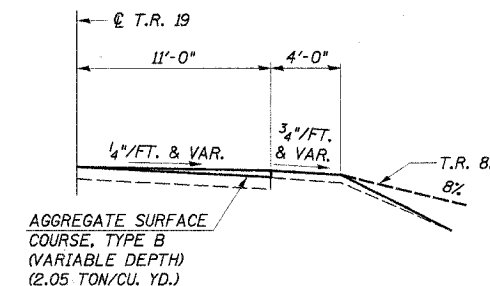


TYPICAL PROPOSED CROSS SECTION

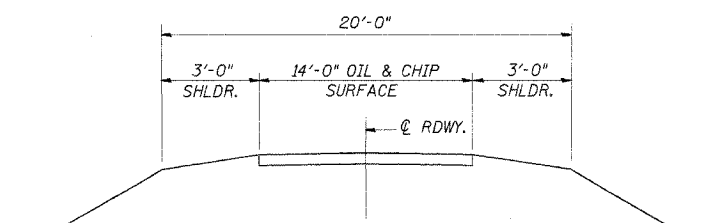
STA. 11+00 TO STA. 18+18

ROAD CLASSIFICATION: LOCAL ROAD ADT 0-250
 CURRENT ADT LESS THAN 150

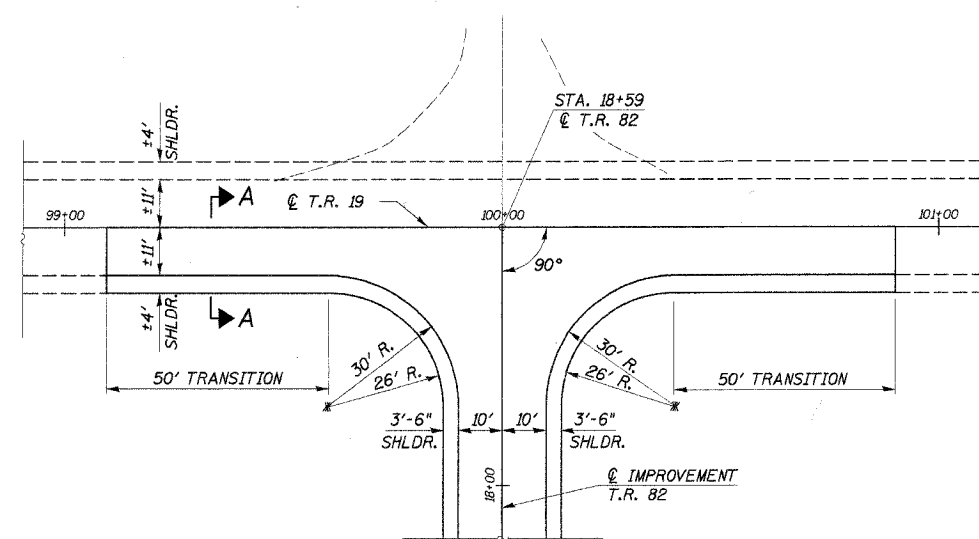
TRANSITION FROM EXISTING ROADWAY TO PROPOSED ROADWAY
 TO BE CONSTRUCTED FROM STA. 10+00 TO STA. 11+00 AND
 FROM STA. 18+18 TO STA. 18+59.



**SECTION A-A
 (LOOKING EAST)**



EXISTING TYPICAL CROSS SECTION



INTERSECTION DETAIL

**SUMMARY OF QUANTITIES, GENERAL NOTES
 AND TYPICAL CROSS SECTION**
 SECTION 01-11135-00-BR
 WAPELLA ROAD DISTRICT
 DeWITT COUNTY
 STA. 15+27

| | | |
|--|---|---|
| 4440 ASH GROVE SPRINGFIELD, IL 62707 (217) 793-8600 oasinc@famvid.com | OZYURT AND STONE, INC. CONSULTING ENGINEERS | JOB NO.: 0209 FILE: SUMTYP.DGN DATE: 05-10-04 |
|--|---|---|