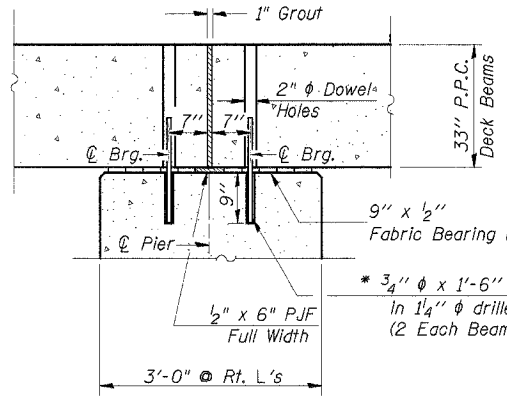
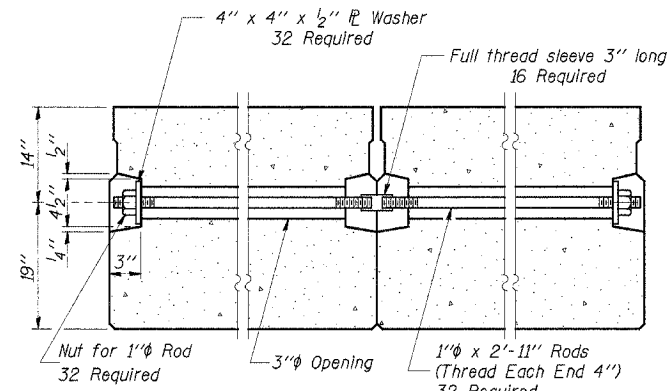
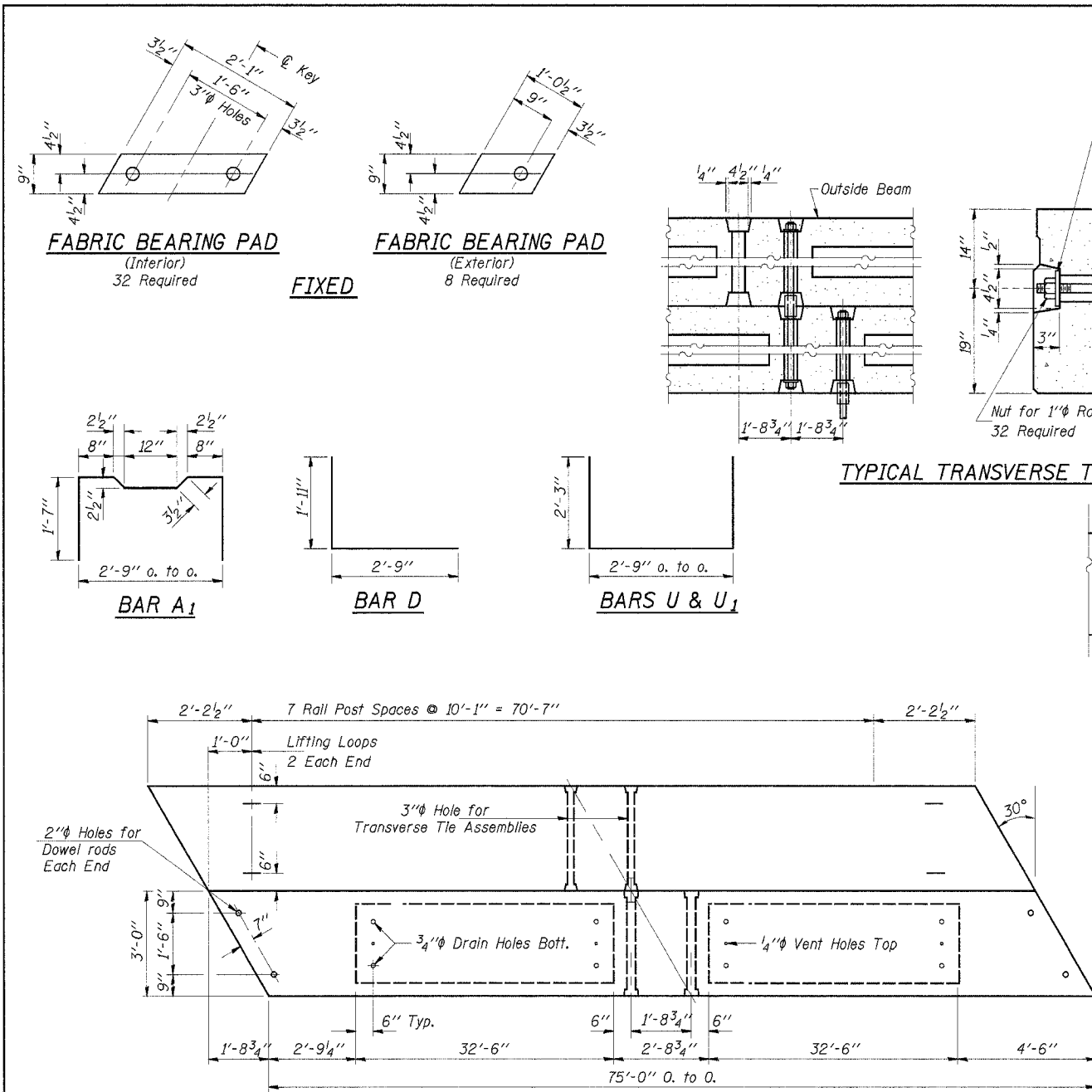
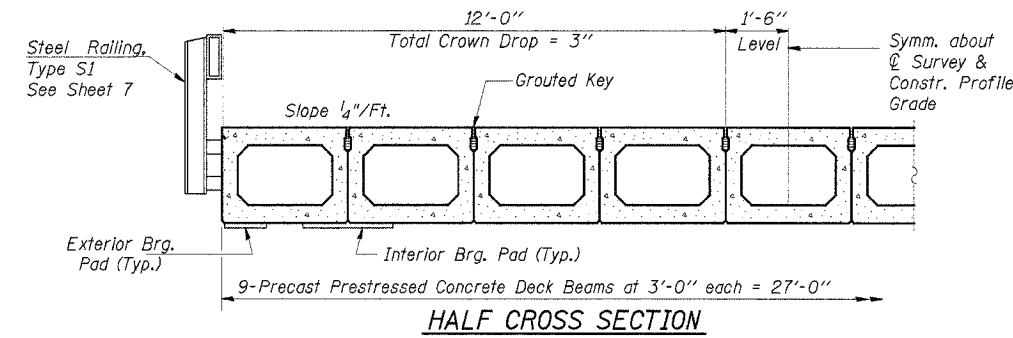
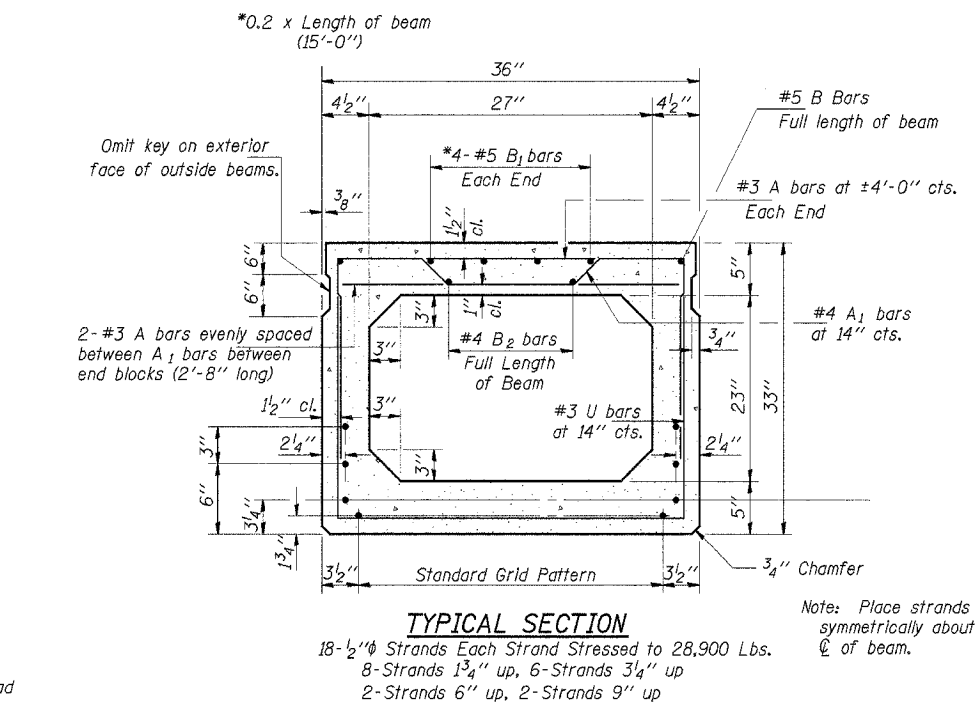


ROUTE NO.	SECTION	COUNTY	TOTAL SHEETS	SHEET NO.
T.R. B2	01-11135-00-BR	DEWITT	17	7
ROAD DIST.	ILLINOIS	WAPELLA	CONTRACT NO. 91302	



**SEC. AT PIER**

\* Note: After beams are in place, 1/4" holes shall be drilled into the Substructure, and the dowel rods grouted in place and allowed to cure (Min. 24 Hrs.) prior to grouting shear key.



**NOTES**

Prestressing steel shall be uncoated high strength, stress-relieved 7-wire strand, Grade 270. The nominal diameter shall be 1/2" and the nominal cross-sectional area shall be 0.153 sq. in. Lifting loops shall be 3-1/2" 270 ksi strands, as shown.

The 1" rods in the transverse tie assembly shall be tightened to a snug fit and the threads set. Pockets that receive transverse tie bar on outside shall be filled with grout after transverse tie assembly is in place.

Reinforcement bars shall conform to the requirements of AASHTO M-31, M-42 or M-53 Grade 60. The bearing seat surfaces shall be adjusted by shimming to assure firm and even bearing. Two 1/8" fabric adjusting shims of the dimensions of the Exterior Bearing Pad shall be provided for each bearing. (80 Req'd.)

Keyway surfaces shall be cleaned to remove form oil or other bond breaking material prior to shipment of the beams. Cleaning shall be done by sandblasting the keyway areas between top of the beam and the bottom edge of the key.

A Calcium Nitrite Corrosion Inhibitor, as covered in the Special Provisions, shall be used in the concrete for precast prestressed concrete deck beams.

Required Release Strength, f'cl, shall be 4000 p.s.i.

An equal substitution of the low-relaxation strands for the stress-relieved strands will be permitted. Longitudinal shear keys shall be grouted with an approved non-shrink grout.

See Special Provisions for review and distribution of shop drawings.

Rail post anchor devices shall be cast into outside beam as elsewhere specified.

**BILL OF MATERIAL**

Item	Unit	Quantity
Precast Prestressed Concrete Deck Beams (33" Depth)	Sq. Ft.	4050

Estimated Total Weight (One Beam) = 52,930 Pounds

**SUPERSTRUCTURE SPANS 2 & 3**

**SECTION 01-11135-00-BR**

**WAPELLA ROAD DISTRICT**

**DEWITT COUNTY**

**STATION 15+27**

4440 ASH GROVE SPRINGFIELD, IL 62707 (217) 793-8600 oasino@lamvid.com	<b>OZYURT AND STONE, INC.</b> CONSULTING ENGINEERS	JOB NO.: 0209 FILE: SUPER2.DGN DATE: 05-10-04
---	---	---

DESIGNED	SFM
CHECKED	FJS
DRAWN	SAP & KTR
CHECKED	SFM