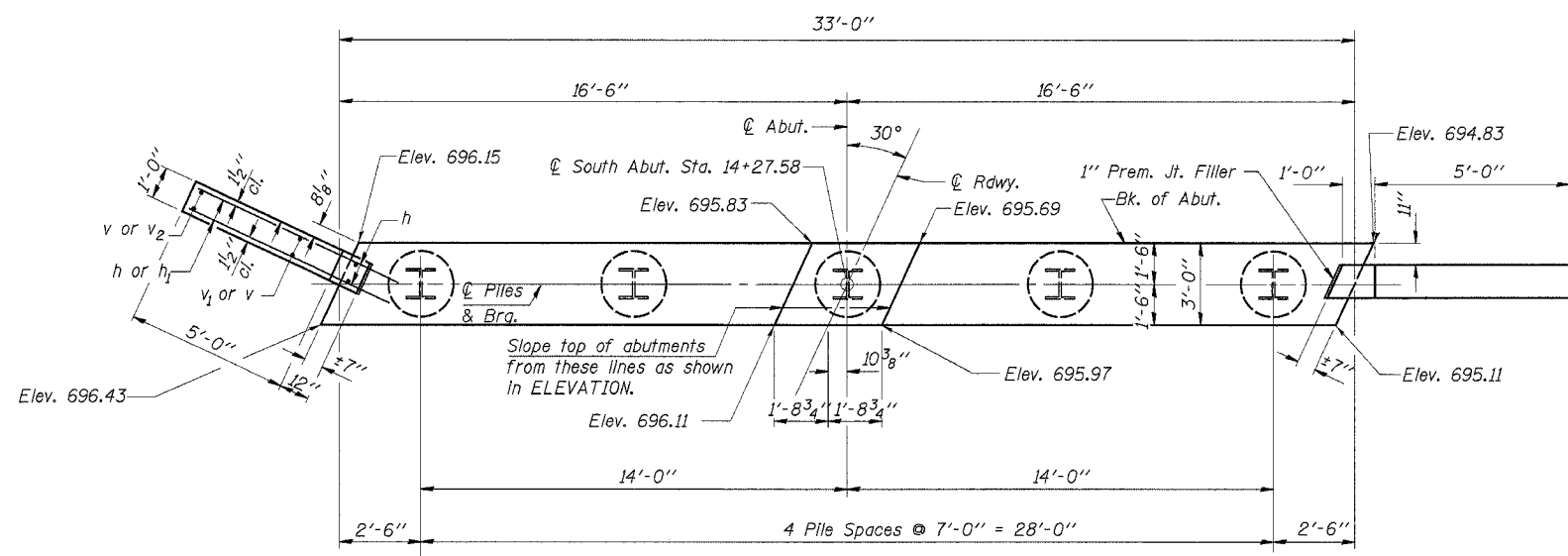
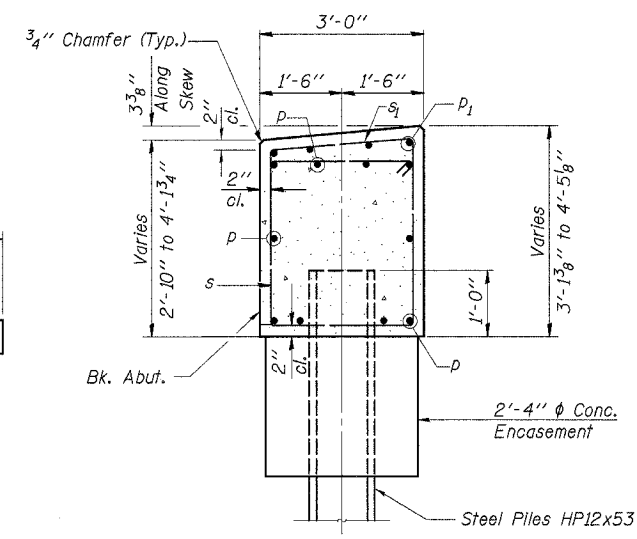


ROUTE NO.	SECTION	COUNTY	TOTAL SHEETS	SHEET NO.
T.R. 82	01-11135-00-BR	DEWITT	17	9
ROAD DIST.	ILLINOIS	WAPELLA		
CONTRACT NO. 91302				

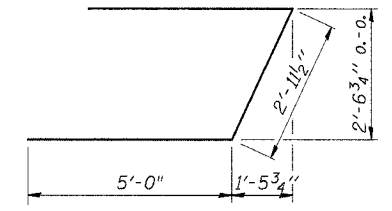


PLAN

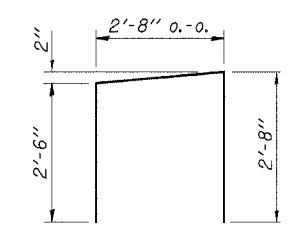
Note: Elevations in Plan are to top of cap.



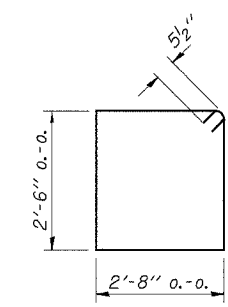
SECTION A-A
@ Rt. Δ's



BAR U



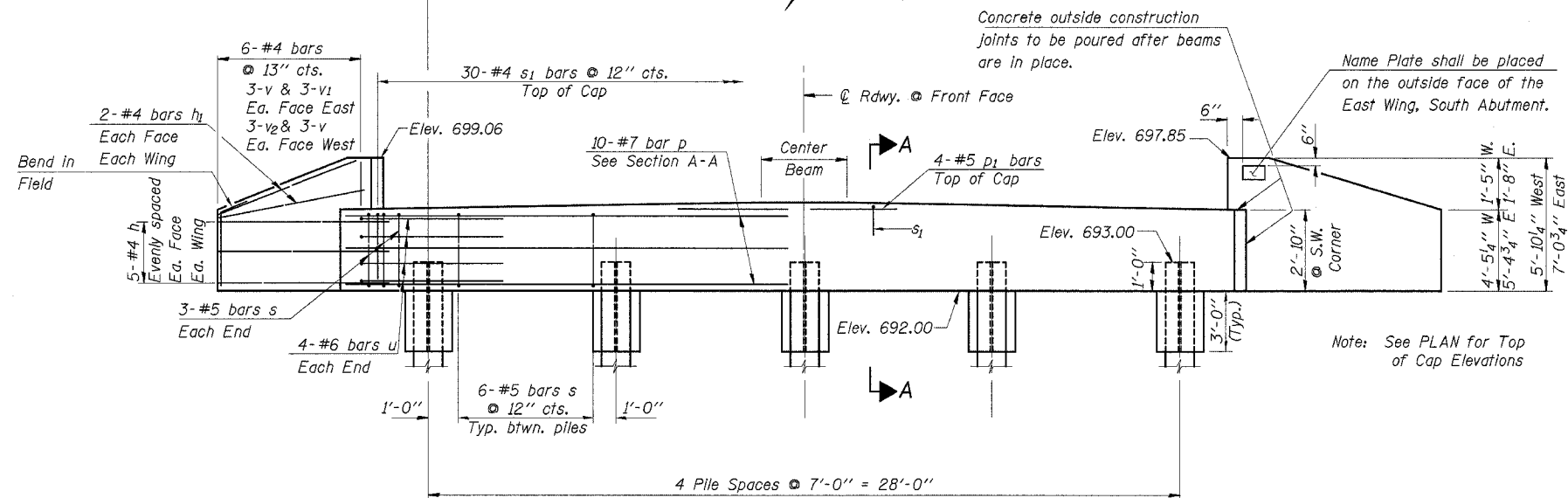
BAR s1



BAR s

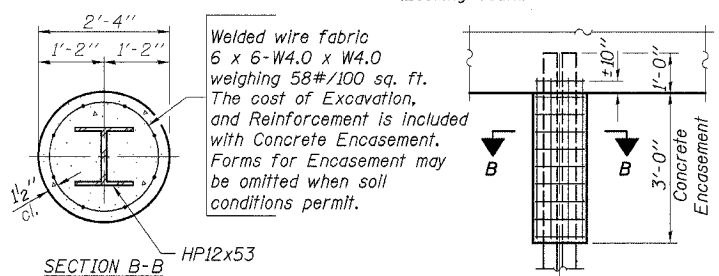
BILL OF MATERIAL

BAR	NO.	SIZE	LENGTH	SHAPE
h	20	#4	7'-3"	—
h1	8	#4	5'-9"	—
p	10	#7	32'-8"	—
p1	4	#5	29'-6"	—
s	30	#5	11'-3"	□
s1	30	#4	7'-10"	□
u	8	#6	13'-0"	—
v	12	#4	5'-6"	—
v1	6	#4	6'-9"	—
v2	6	#4	5'-0"	—
Concrete Structures			Cu. Yd.	16.2
Reinforcement Bars			Pound	1680
Name Plates			Each	1
Test Piles Steel HP12x53			Each	1
Steel Piles HP12x53			Foot	136
Concrete Encasement			Cu. Yd.	2.4



ELEVATION
(Looking South)

Note: See PLAN for Top of Cap Elevations



PILE ENCASEMENT DETAIL

PILE DATA

Type ----- Steel Piles HP12x53
 No. Req'd. ----- 5*
 Capacity ----- 45 Tons/Pile
 Drive to Bearing ----- 60 Tons/Pile
 Est. Length ----- 34 Feet/Pile

*Includes 1 test pile to be driven in a permanent location at the South Abutment.

DESIGNED	SFM
CHECKED	FJS
DRAWN	SAP & KTR
CHECKED	SFM

SOUTH ABUTMENT
SECTION 01-11135-00-BR
WAPELLA ROAD DISTRICT
DEWITT COUNTY
STATION 15+27

4440 ASH GROVE
 SPRINGFIELD, IL 62707
 (217) 793-8600
 oasinc@famvid.com

OZYURT AND STONE, INC.
 CONSULTING ENGINEERS

JOB NO.: 0209
 FILE: SABUT.DGN
 DATE: 05-10-04