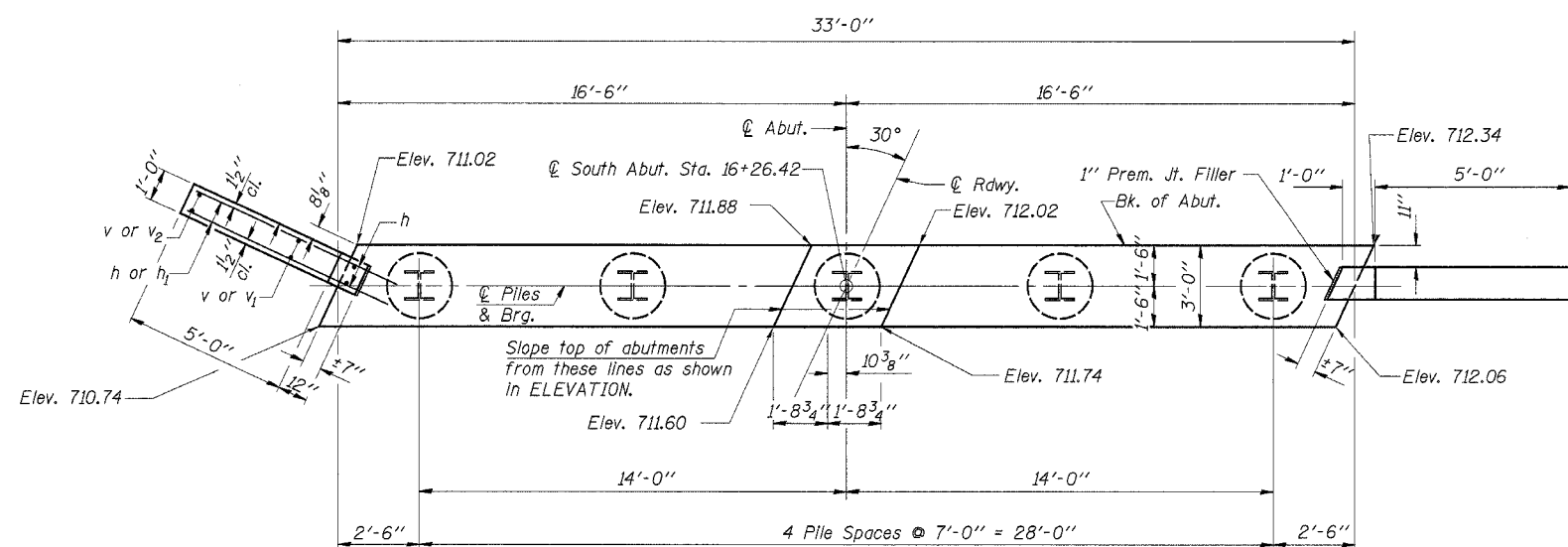
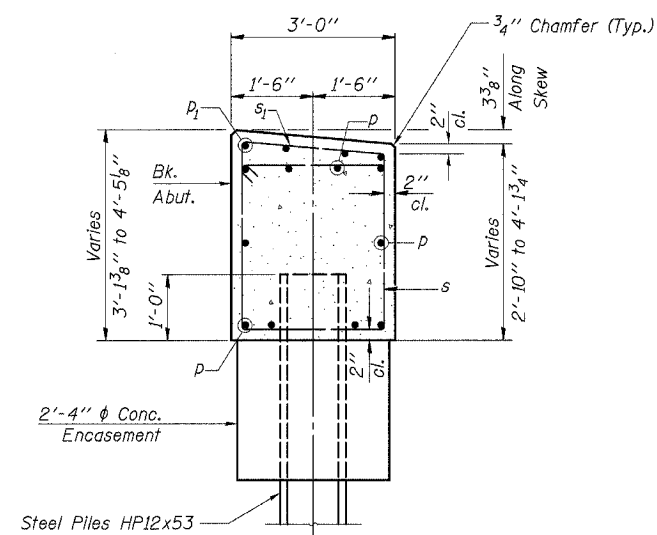


ROUTE NO.	SECTION	COUNTY	TOTAL SHEETS	SHEET NO.
T.R. 82	01-11135-00-BR	DEWITT	17	10
ROAD DIST.	ILLINOIS	WAPELLA	CONTRACT NO. 91302	



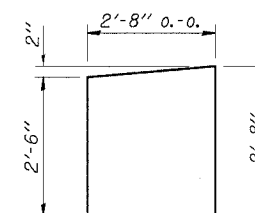
PLAN

Note: Elevations in Plan are to top of cap.

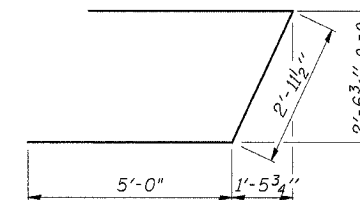


SECTION A-A

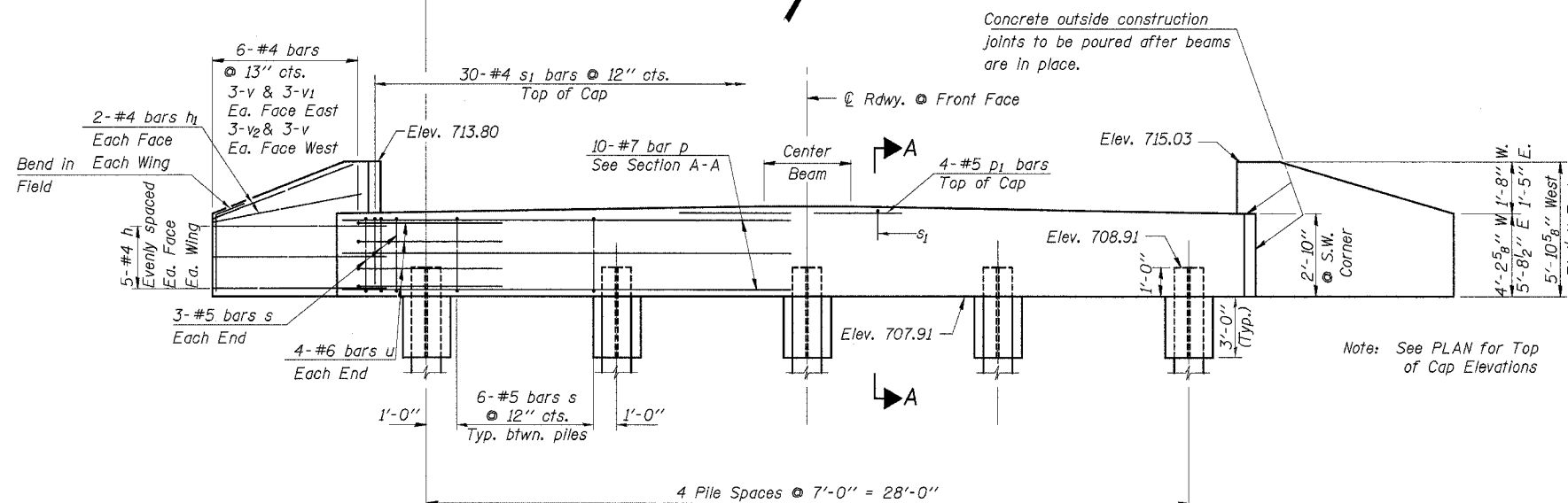
at Rt. Δ's



BAR s1



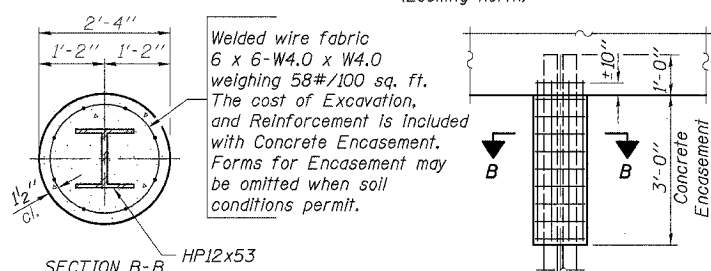
BAR u



ELEVATION

(Looking North)

Note: See PLAN for Top of Cap Elevations



SECTION B-B

PILE ENCASEMENT DETAIL

PILE DATA

Type ----- Steel Piles HP12x53
 No. Req'd. ----- 5
 Capacity ----- 45 Tons/Pile
 Drive to Bearing ----- 60 Tons/Pile
 Est. Length ----- 50 Feet/Pile

BILL OF MATERIAL

BAR	NO.	SIZE	LENGTH	SHAPE
h	20	#4	7'-3"	—
h1	8	#4	5'-9"	—
p	10	#7	32'-8"	—
p1	4	#5	29'-6"	—
s	30	#5	11'-3"	□
s1	30	#4	7'-10"	□
u	8	#6	13'-0"	▭
v	12	#4	5'-6"	—
v1	6	#4	6'-9"	—
v2	6	#4	5'-0"	—
Concrete Structures			Cu. Yd.	16.2
Reinforcement Bars			Pound	1680
Steel Piles HP12x53			Foot	250
Concrete Encasement			Cu. Yd.	2.4

DESIGNED	SFM
CHECKED	FJS
DRAWN	SAP & KTR
CHECKED	SFM

NORTH ABUTMENT

SECTION 01-11135-00-BR
 WAPELLA ROAD DISTRICT
 DeWITT COUNTY
 STATION 15+27

4440 ASH GROVE
 SPRINGFIELD, IL 62707
 (217) 793-8600
 oasinc@famvid.com

OZYURT AND STONE, INC.
 CONSULTING ENGINEERS

JOB NO.: 0209
 FILE: NABUT.DGN
 DATE: 05-10-04