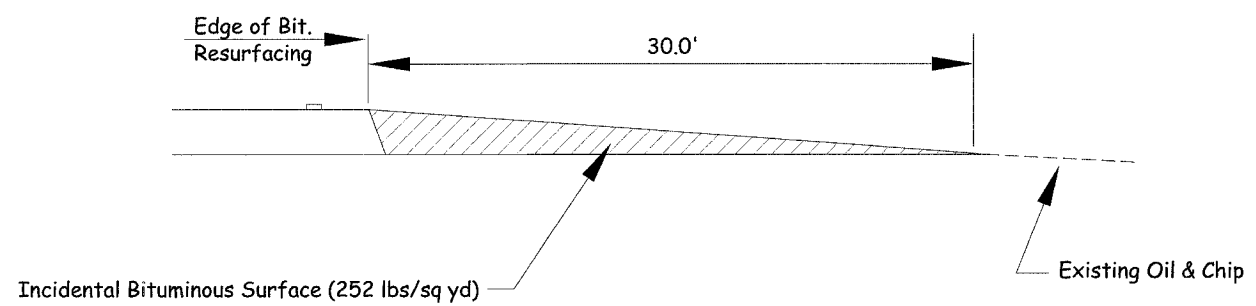


Sideroad Rundown Detail



- Note: Dimensions are typical of most existing entrances, but limits may be varied in the field as directed by the engineer.
- Note: Before bituminous prime coat, all entrances shall be cleaned to the satisfaction of the engineer. The contractor shall make an assertive effort to accomplish this task, which shall be paid incidental to bituminous prime coat.
- Note: If entrance connects into an existing bituminous surface, then the proposed aggregate shoulder shall be omitted behind the proposed bituminous wedge.

	Typ. Entrance & S.R. Rundown Details		Design by: RAJ	Approved by: XXX
	Section 03-00176-00-PV		CAD by: RAJ	Date: 09/17/04
	County Highway 55 (FAS 631)		Checked by: XXX	CAD Reference: XXXXXXXX
	MACON COUNTY - ENGINEERING DIVISION		Sheet 25 of 25	