

SUMMARY OF QUANTITIES
(CONSTRUCTION TYPE CODE X080-2A)

CODE NO.	ITEM	UNIT	QUANTITY
20200100	EARTH EXCAVATION	CU YD	1005
20200300	EARTH EXCAVATION FOR EROSION CONTROL	CU YD	84
20300100	CHANNEL EXCAVATION	CU YD	534
20400800	FURNISHED EXCAVATION	CU YD	298
25000200	SEEDING, CLASS 2	ACRE	0.8
25000400	NITROGEN FERTILIZER NUTRIENT	POUND	72
25000500	PHOSPHORUS FERTILIZER NUTRIENT	POUND	72
25000600	POTASSIUM FERTILIZER NUTRIENT	POUND	72
25100115	MULCH METHOD 2	ACRE	0.8
28000250	TEMPORARY EROSION CONTROL SEEDING	POUND	80
28000300	TEMPORARY DITCH CHECKS	EACH	6
28000400	PERIMETER EROSION BARRIER	FOOT	521
28100107	STONE RIPRAP, CLASS A4	SQ YD	1404
28200100	FILTER FABRIC FOR USE WITH RIPRAP	SQ YD	1404
31000600	PROCESSING LIME STABILIZED SOIL MIXTURE 12"	SQ YD	1661
30201500	LIME	TON	37.4
40300100	BITUMINOUS MATERIALS (PRIME COAT)	GALLON	839
40600300	AGGREGATE (PRIME COAT)	TON	4
48101200	AGGREGATE SHOULDERS, TYPE B	TON	73
50100100	REMOVAL OF EXISTING STRUCTURES	EACH	1
50300225	CONCRETE STRUCTURES	CU YD	44.4
50400605	PRECAST STRESSED CONCRETE DECK BEAMS (33" DEPTH)	SQ FT	3072
50800205	REINFORCEMENT BARS, EPOXY COATED	POUND	4760
50900205	STEEL RAILING, TYPE S1	FOOT	256
51201000	FURNISHING METAL PILE SHELLS 12"	FOOT	709
51202600	DRIVING AND FILLING SHELLS	FOOT	709
51203200	TEST PILE METAL SHELLS	EACH	3
51204315	CONCRETE ENCASEMENT	CU YD	19.6
51500100	NAME PLATES	EACH	1
58100200	WATERPROOFING MEMBRANE SYSTEM	SQ YD	341
58300100	PORTLAND CEMENT MORTAR FAIRING COURSE	FOOT	896
X4066414	* BITUMINOUS CONCRETE SURFACE COURSE, SUPERPAVE, MIX "C", N50	TON	217
X4066614	* BITUMINOUS CONCRETE BINDER COURSE, SUPERPAVE, IL-19.0, N50	TON	521
X5020501	* UNDERWATER STRUCTURE EXCAVATION PROTECTION - LOCATION 1	EACH	1
X5020502	* UNDERWATER STRUCTURE EXCAVATION PROTECTION - LOCATION 2	EACH	1
Z0013825	* CONTROLLED LOW STRENGTH MATERIAL	CU YD	19

* SEE SPECIAL PROVISIONS

GENERAL NOTES

THE AREA TO BE SEEDDED SHALL CONSIST OF ALL DISTURBED EARTH SURFACES WITHIN THE RIGHT-OF-WAY AND EASEMENTS AS DIRECTED BY THE ENGINEER.

CLASS OF SEEDING	BEGINNING DATES	TERMINATION DATES
1, 1A, 1B, 2, 2A, 3 (IN SPRING)	APRIL 1	MAY 15
1, 1A, 1B, 2, 2A, 3 (IN FALL)	AUGUST 15	OCTOBER 15

LAYOUT OF EROSION CONTROL ITEMS MAY BE VARIED IN THE FIELD TO SUIT GROUND CONDITIONS AS DIRECTED BY THE ENGINEER (SEE SHEET 8 FOR EROSION CONTROL).

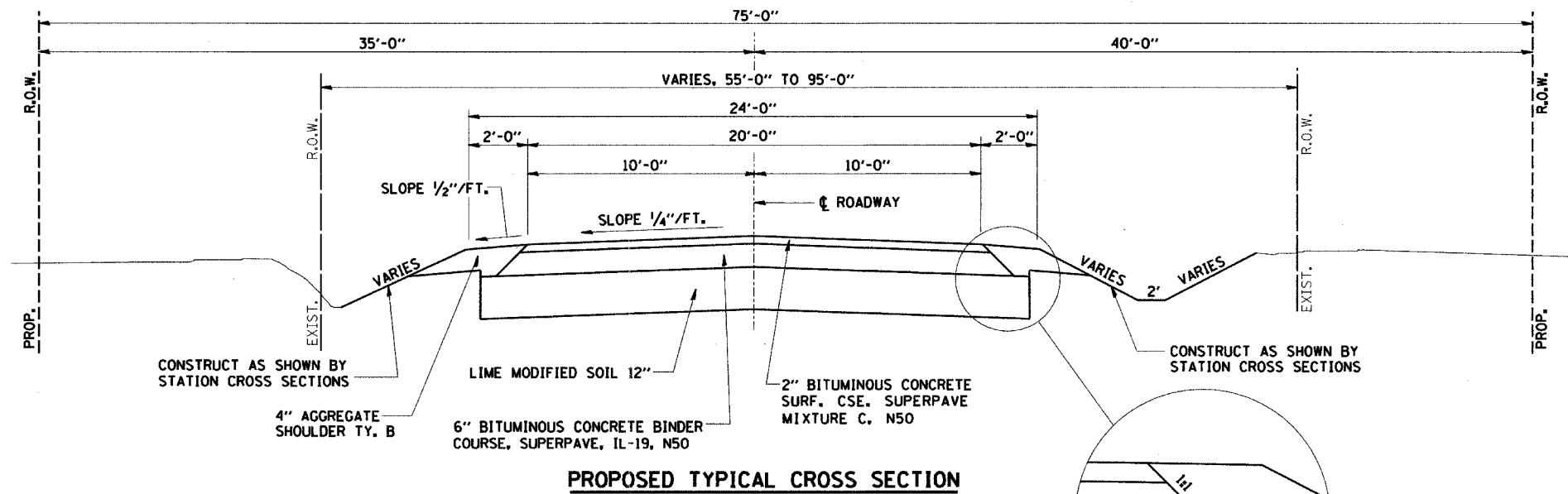
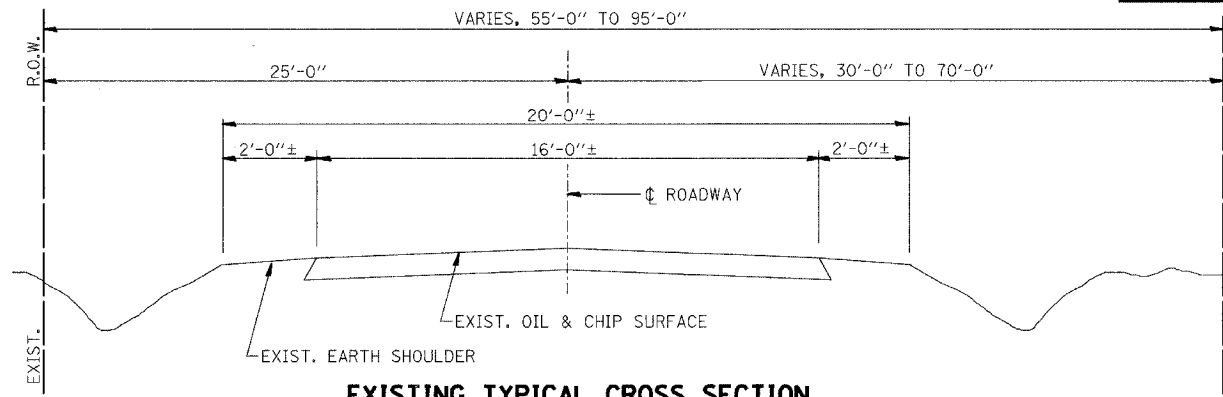
IT SHALL BE THE CONTRACTOR'S RESPONSIBILITY TO DETERMINE THE ACTUAL LOCATION OF ALL UNDERGROUND UTILITY FACILITIES. HE SHALL ALSO OBTAIN FROM THE RESPECTIVE UTILITY COMPANIES DETAILED INFORMATION RELATIVE TO THE LOCATION OF THEIR FACILITIES AND THE WORKING SCHEDULES OF THE UTILITY COMPANIES FOR THEIR MARKING OF THE EXACT LOCATION.

WHERE SECTION OR SUB-SECTION MONUMENTS ARE ENCOUNTERED, THE ENGINEER SHALL BE NOTIFIED BEFORE SUCH MONUMENTS ARE REMOVED. THE CONTRACTOR SHALL PROTECT AND CAREFULLY PRESERVE ALL MONUMENTS UNTIL AN AUTHORIZED SURVEYOR OR AGENT HAS WITNESSED OR OTHERWISE REFERENCED THEIR LOCATION. THE CONTRACTOR WILL BE RESPONSIBLE FOR THE COST OF HAVING AN AUTHORIZED SURVEYOR RE-ESTABLISH ANY SECTION OR SUB-SECTION MONUMENTS DESTROYED BY HIS OPERATIONS.

REMOVAL OF EXISTING AGGREGATE MATERIAL AND BITUMINOUS MATERIAL SHALL BE INCLUDED IN EARTH EXCAVATION.

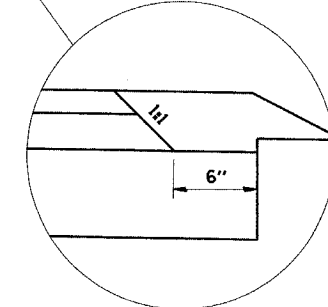
ROUTE NO.	SECTION	COUNTY	TOTAL SHEETS	SHEET NO.
C.H. 54	03-00177-00-BR	MACON	16	2
FED. ROAD DIST. NO.	ILLINOIS PROJECT			

CONTRACT NO. 91317



PROPOSED TYPICAL CROSS SECTION

STA. 12+00.00 TO STA. 14+38.24
 STA. 15+68.64 TO STA. 18+00.00
 (TRANSITION STA. 11+00.00 TO STA. 12+00.00)
 (TRANSITION STA. 18+00.00 TO STA. 19+00.00)



BITUMINOUS MIXTURE REQUIREMENTS

LOCATION	CH 54	CH 54
MIX USE	BINDER	SURFACE
AC/PG	PG 58-22	PG 58-22
RAP %	25	15
DESIGN VOIDS	4.0 @ N=50	4.0 @ N=50
MIXTURE COMPOSITION (GRAD. MIXTURE)	IL-19.0	IL-9.5
FRICITION	N/A	MIX C

APPLICATION RATES

GRANULAR MATERIALS	2.05	TONS/CU. YD.
BITUMINOUS MATERIALS-PRIME COAT	0.50	GALS./S. Y.
BITUMINOUS MATERIALS-FOG COAT	0.03	GALS./S. Y.
AGGREGATE PRIME COAT	2.4	LBS./S. Y.
BITUMINOUS CONCRETE	112	LBS./S. Y. / INCH
NITROGEN FERTILIZER NUTRIENT	90	LBS./ACRE
PHOSPHORUS FERTILIZER NUTRIENT	90	LBS./ACRE
POTASSIUM FERTILIZER NUTRIENT	90	LBS./ACRE
MULCH METHOD 2	2	TONS/ACRE
TEMPORARY EROSION CONTROL SEEDING	100	LBS./ACRE
WATER	5	GALS./S. Y.
LIME	45	LBS./S. Y.

ROADWAY QUANTITY SCHEDULE

LOCATION	PROC LIME MOD SOIL 12" (SQ YD)	BIT MATLS PR CT (GAL)	AGG PR CT (TON)	BIT BINDER CSE 6" (TON)	BIT SURFACE CSE 2" (TON)	AGG SHLDS TY B (TON)
M.L. STA. 11+00.00 TO STA. 14+38.24	839	424	2	263	85	37
M.L. STA. 15+68.64 TO STA. 19+00.00	822	415	2	258	83	36
OVERLAY AT STRUCTURE					49	
TOTALS	1661	839	4	521	217	73

GENERAL DATA

Date	Designed MJP	<p>C.H. 54 OVER SOUTH FORK CREEK SECTION 03-00177-00-BR MACON COUNTY STA. 15+03.44 PROP. STR. NO. 058-3365</p>
Revisions	Drawn REZ	
	Checked GAC	
	Approved KWB	
Prepared by:	URS 3040 North University Avenue Decatur, IL 62526	URS Job No. 36431205