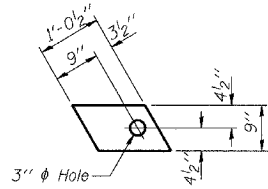
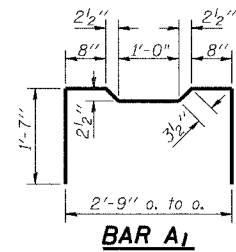


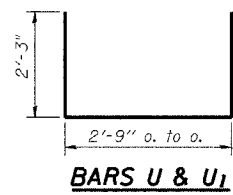
**FABRIC BEARING PAD**  
(Interior)



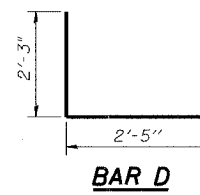
**FABRIC BEARING PAD**  
(Exterior)



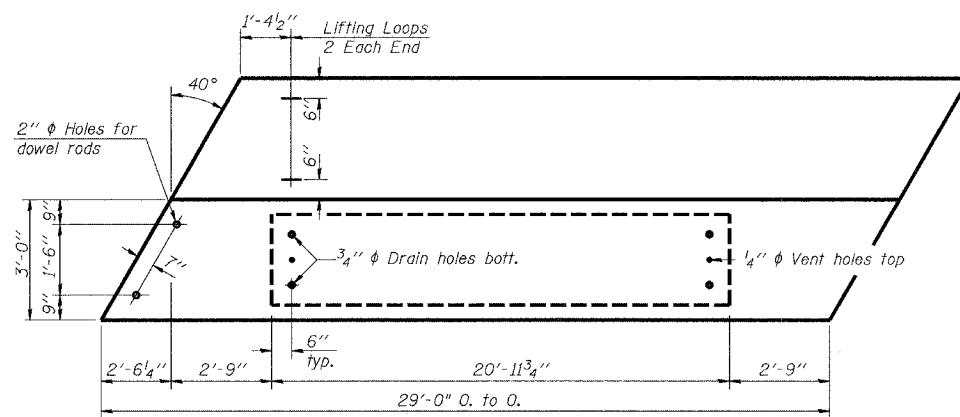
**BAR A<sub>1</sub>**



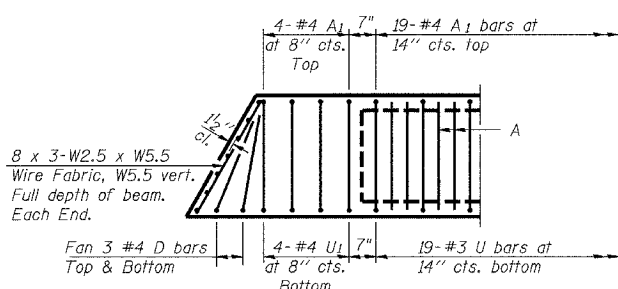
**BARS U & U<sub>1</sub>**



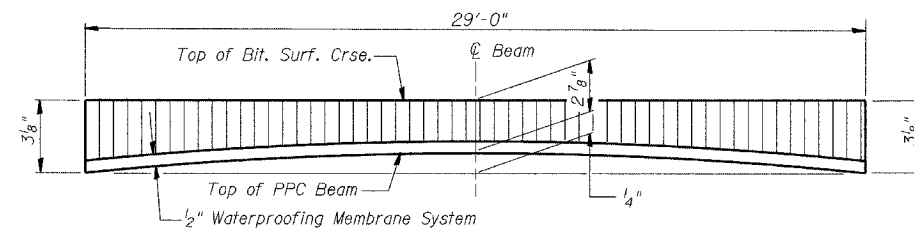
**BAR D**



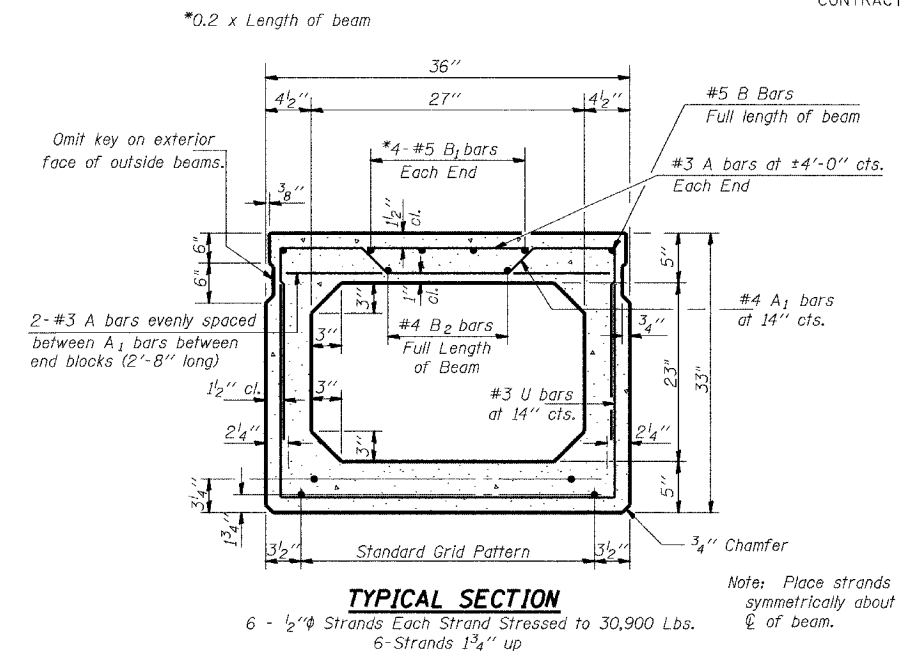
**PLAN**



**END PLAN**



**ANTICIPATED CAMBER DIAGRAM**

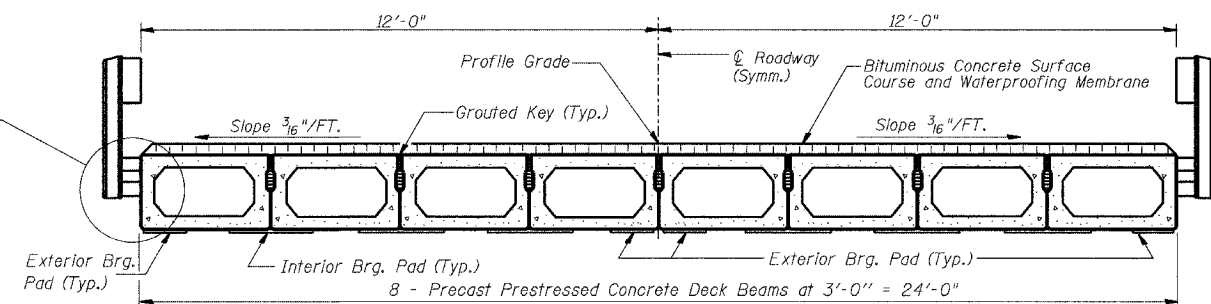


**TYPICAL SECTION**

6 - 1/2" φ Strands Each Strand Stressed to 30,900 Lbs.  
6-Strands 1 3/4" up

Note: Place strands symmetrically about center of beam.

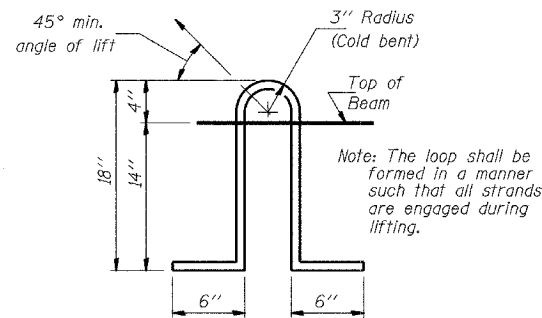
For Insert Detail and Rail Post Spacing, see sh. 4 of 8.



**CROSS SECTION**

**BILL OF MATERIAL**

Bar No.	Size	Length	Shape
Precast Prestressed Conc. Deck Bms. (33" Depth)	Sq. Ft.	1392	



**LIFTING LOOP DETAIL**

**NOTES**

Prestressing steel shall be uncoated high strength, low relaxation 7-wire strand, Grade 270. The nominal diameter shall be 1/2" and the nominal cross-sectional area shall be 0.153 sq. in. Lifting loops shall be 2 - 1/2" φ - 270 ksi strands, as shown.  
Non prestressing steel shall conform to AASHTO M-31, M-42 or M-53 Grade 60. The bearing seat surfaces shall be adjusted by shimming to assure firm and even bearing. Two 5/8" fabric adjusting shims of the dimensions of the Exterior Bearing Pad shall be provided for each bearing.  
Keyway surfaces shall be cleaned to remove form oil or other bond breaking material prior to shipment of the beams. Cleaning shall be done by sandblasting the keyway areas between top of the beam and the bottom edge of the key.  
Corrosion inhibitor, as covered in the Special Provisions, shall be used in the concrete for precast prestressed concrete deck beams.  
Required Release Strength, f'cl, shall be 4000 p.s.i.

**SUPERSTRUCTURE - SPANS 1 AND 3**

Date	Designed: MJP	C.H. 54 OVER SOUTH FORK CREEK SECTION 03-00177-00-BR MACON COUNTY STA. 15+03.44 PROP. STR. NO. 058-3365	Sheet No.
Revisions	Drawn: BKN		2
	Checked: GAC		
	Approved: KWB		
Prepared by:	<b>URS</b> 3040 North University Avenue Decatur, IL 62526		