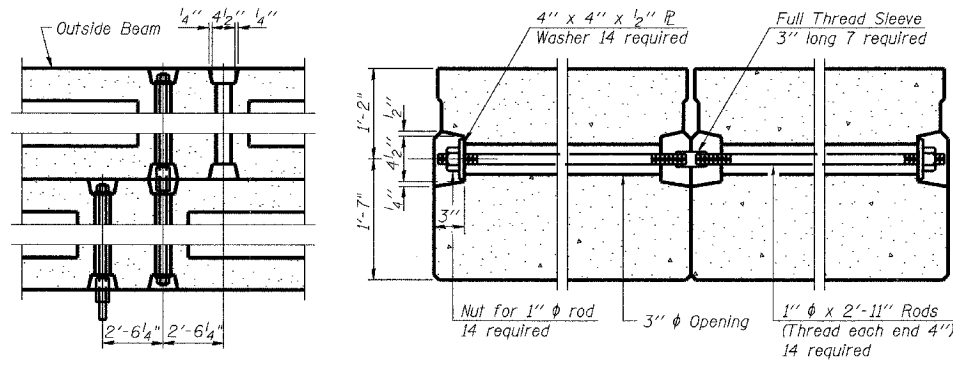
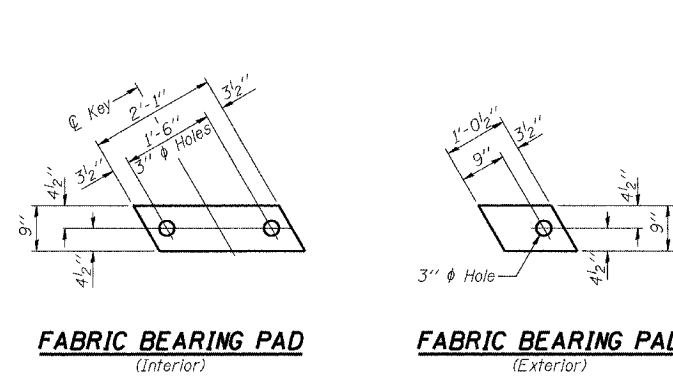
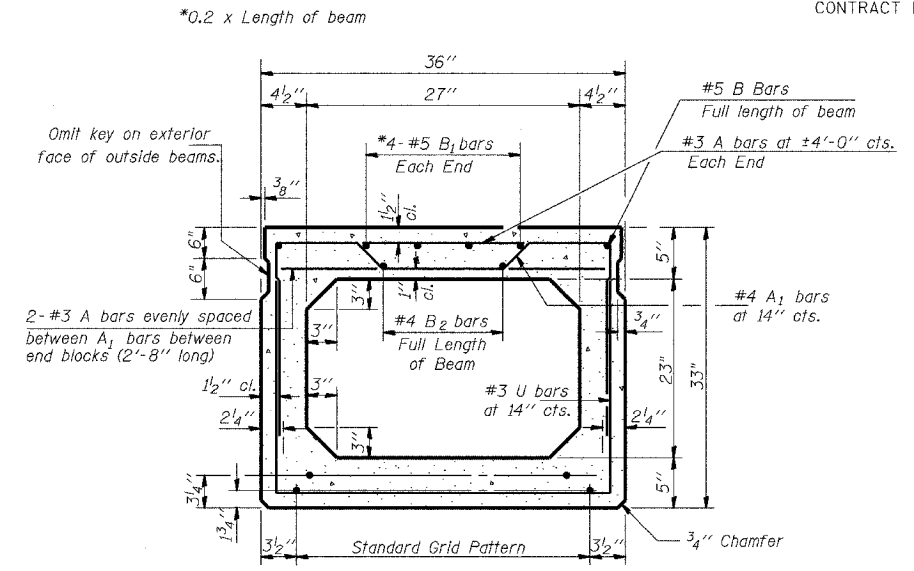
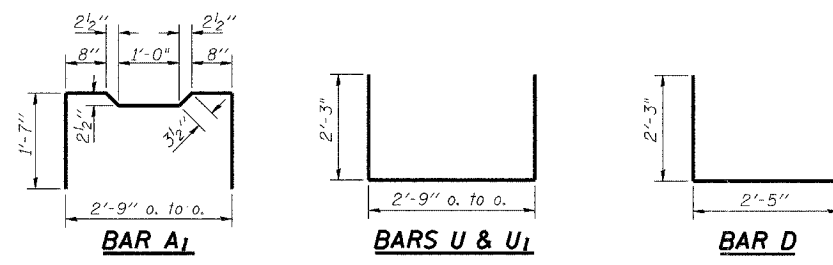


ROUTE NO.	SECTION	COUNTY	TOTAL SHEETS	SHEET NO.
C.H. 54	03-00177-00-BR	MACON	16	11
FED. ROAD DIST. NO.	ILLINOIS PROJECT		CONTRACT NO. 91317	

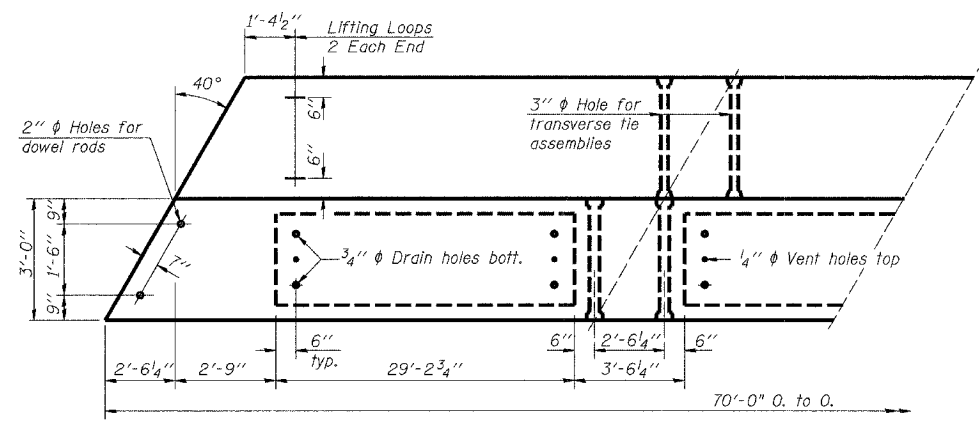


**TYPICAL TRANSVERSE TIE ASSEMBLY**

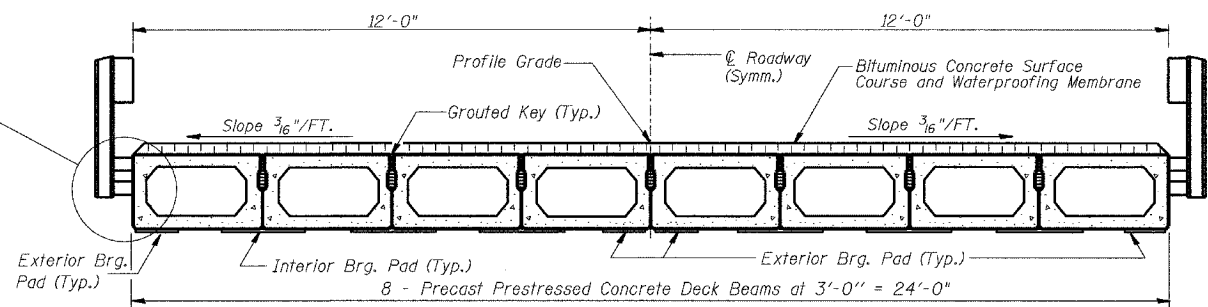


**TYPICAL SECTION**

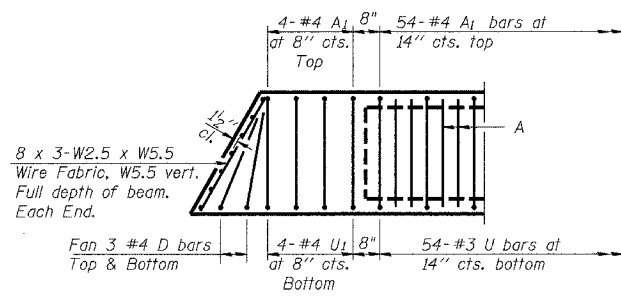
18 - 1/2" Strands Each Strand Stressed to 30,900 Lbs.  
 8-Strands 1 3/4" up, 6-Strands 3/4" up,  
 2-Strands 6" up, and 2-Strands 9" up.



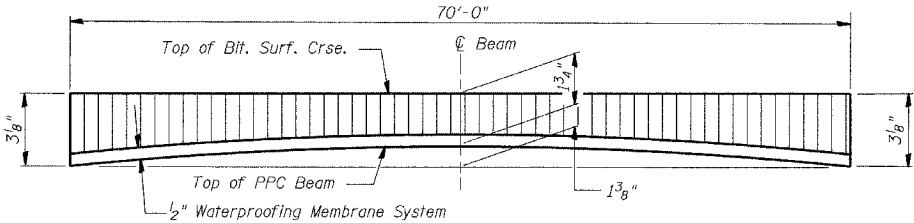
**PLAN**



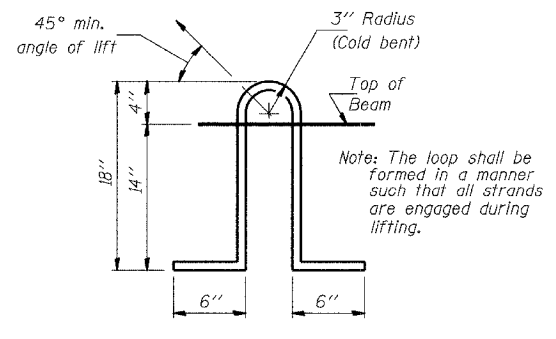
**CROSS SECTION**



**END PLAN**



**ANTICIPATED CAMBER DIAGRAM**



**LIFTING LOOP DETAIL**

**NOTES**

Prestressing steel shall be uncoated high strength, low relaxation 7-wire strand, Grade 270. The nominal diameter shall be 1/2" and the nominal cross-sectional area shall be 0.153 sq. in. Lifting loops shall be 3 - 1/2" #270 ksi strands, as shown. The 1" rods in the transverse tie assembly shall be tightened to a snug fit and the threads set. Pockets that receive transverse tie bar on outside shall be filled with grout after transverse tie assembly is in place. Non prestressing steel shall conform to AASHTO M-31, M-42 or M-53 Grade 60. The bearing seat surfaces shall be adjusted by shimming to assure firm and even bearing. Two 1/8" fabric adjusting shims of the dimensions of the Exterior Bearing Pad shall be provided for each bearing. Keyway surfaces shall be cleaned to remove form oil or other bond breaking material prior to shipment of the beams. Cleaning shall be done by sandblasting the keyway areas between top of the beam and the bottom edge of the key. Corrosion inhibitor, as covered in the Special Provisions, shall be used in the concrete for precast prestressed concrete deck beams. Required Release Strength, f'ci, shall be 4000 p.s.i.

**BILL OF MATERIAL**

Bar	No.	Size	Length	Shape
Precast Prestressed Conc. Deck Bms. (33" Depth)			Sq. Ft.	1680

**SUPERSTRUCTURE - SPAN 2**

Date	Designed MJP	C.H. 54 OVER SOUTH FORK CREEK SECTION 03-00177-00-BR MACON COUNTY STA. 15+03.44 PROP. STR. NO. 058-3365	Sheet No.
Revisions	Drawn BKN		<b>3</b>
	Checked GAC		
	Approved KWB		
Prepared by: <b>URS</b>	3040 North University Avenue Decatur, IL 62526		