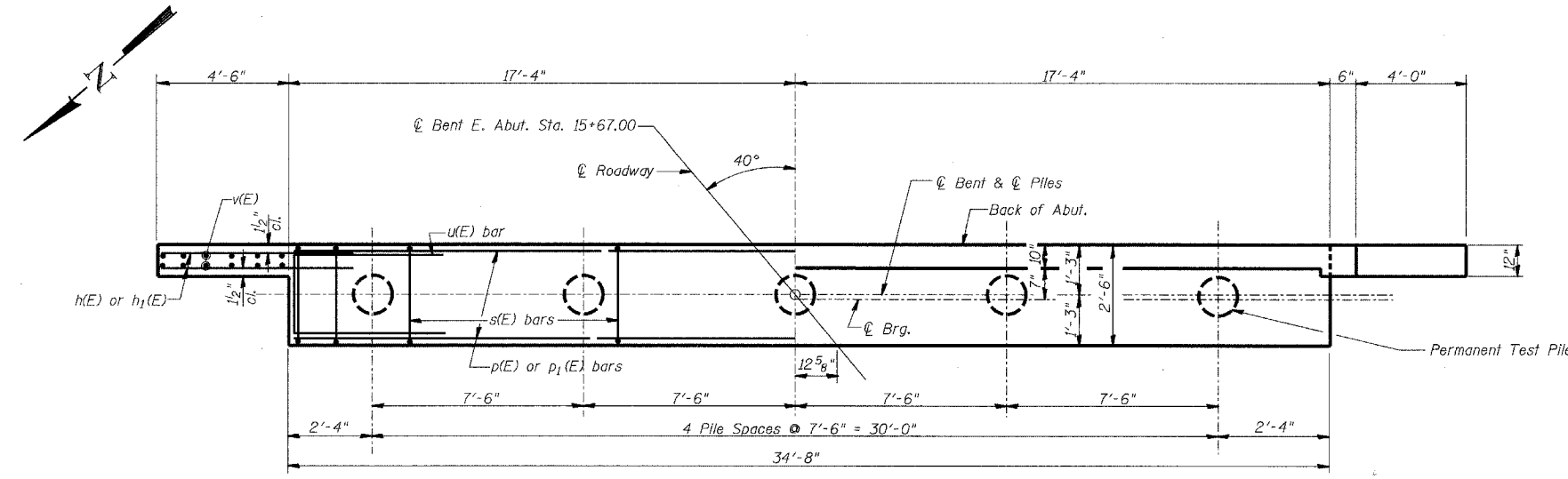


ROUTE NO.	SECTION	COUNTY	TOTAL SHEETS	SHEET NO.
C.H. 54	03-00177-00-BR	MACON	16	14
FED. ROAD DIST. NO.	ILLINOIS	PROJECT		

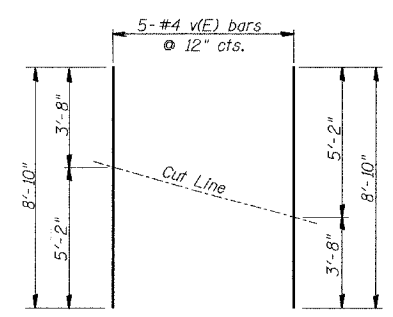
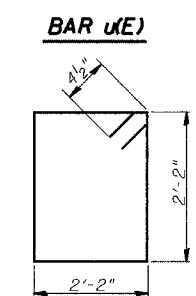
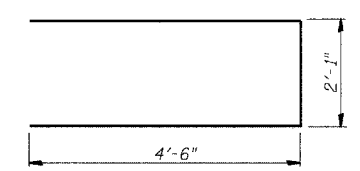
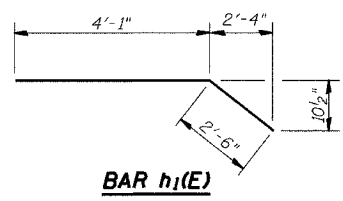
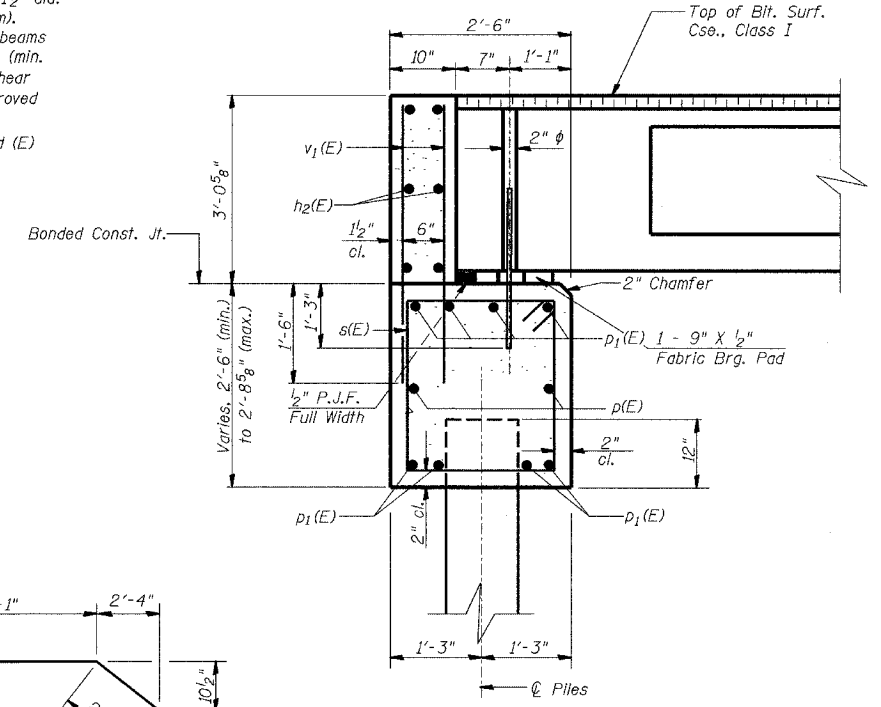
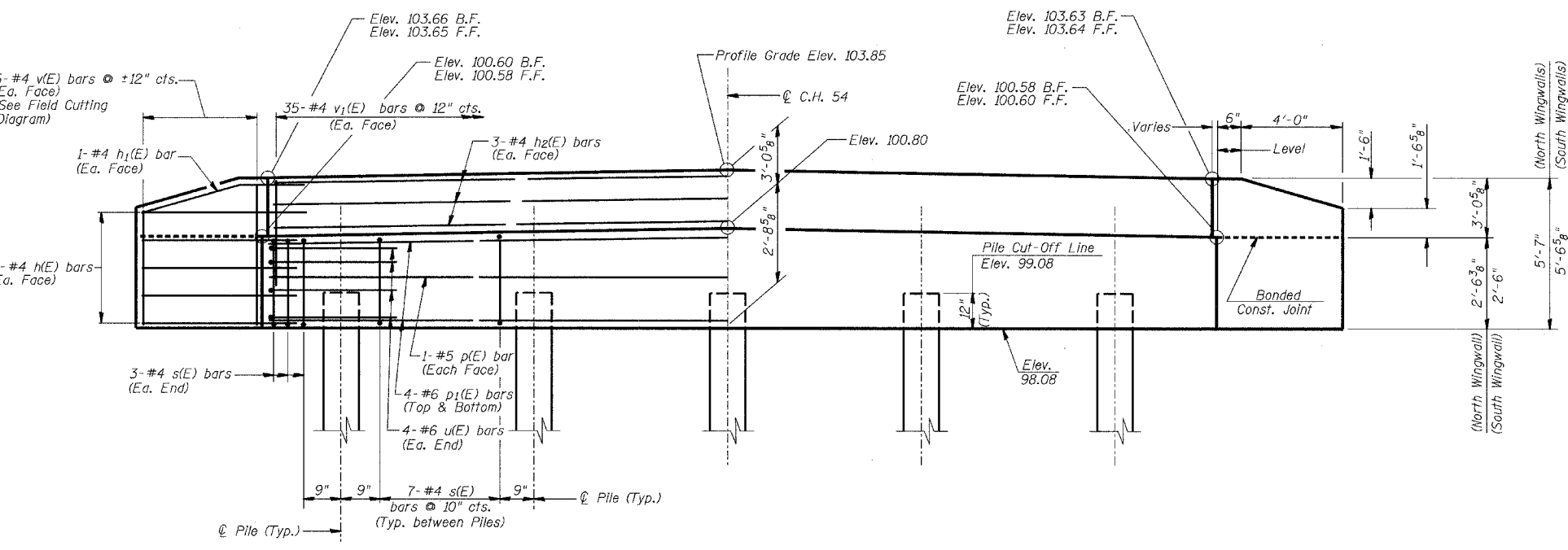
CONTRACT NO. 91317

NOTES

- The Backwall and the portion of the Wingwalls above the bonded construction joint shall be cast against the in-place beam.
- 1" dia. x 2'-6" dowel rods in 1 1/2" dia. holes drilled in cap (4 each beam). Dowel rods to be grouted after beams are in place and allowed to cure (min. 24 hrs.) prior to grouting the shear keys. The grout shall be an approved non-shrink grout.
- Reinforcement bars designated (E) shall be Epoxy coated.



PILE DATA
 Type: Metal Pile Shells 12"
 Capacity: 25 Tons
 Est. Length: 34'-0"
 No. Required: 4 plus 1 permanent test pile (at end opposite of boring location)



FIELD CUTTING DIAGRAM
 Order bars full length. Cut to fit as shown and use remainder of bars in other face.

SECTION THRU ABUT.
(At Rt. Angles)

**BILL OF MATERIAL
EAST ABUTMENT**

Bar	No.	Size	Length	Shape
h(E)	20	#4	6'-6"	—
h1(E)	4	#4	6'-7"	—
h2(E)	6	#4	34'-4"	—
p(E)	2	#5	34'-4"	—
p1(E)	8	#6	34'-4"	—
s(E)	34	#4	9'-5"	□
u(E)	8	#6	11'-1"	□
v(E)	10	#4	8'-10"	—
v1(E)	70	#4	4'-4"	—
Concrete Structures			Cu. Yd.	13.25
Reinforcement Bars, Epoxy Coated			Pound	1340
Furnishing Metal Pile Shells 12"			Foot	136
Driving and Filling Shells			Foot	136
Test Pile Metal Shells			Each	1

EAST ABUTMENT

Date	Designed MJP	C.H. 54 OVER SOUTH FORK CREEK SECTION 03-00177-00-BR MACON COUNTY STA. 15+03.44 PROP. STR. NO. 058-3365	Sheet No.
Revisions	Drawn BKN		6 of 8
	Checked GAC		
	Approved KWB		
Prepared by:	URS 3040 North University Avenue Decatur, IL 62526		