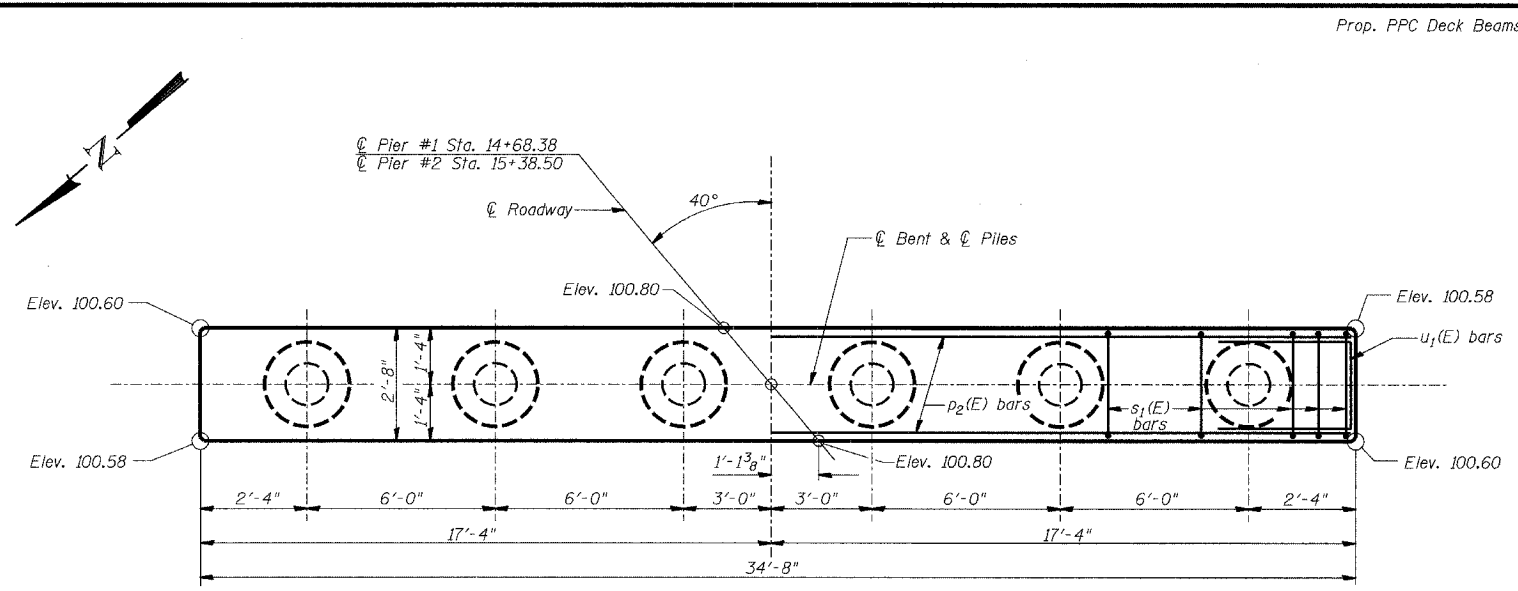


ROUTE NO.	SECTION	COUNTY	TOTAL SHEETS	SHEET NO.
C.H. 54	03-00177-00-BR	MACON	16	15
FED. ROAD DIST. NO.	ILLINOIS	PROJECT		

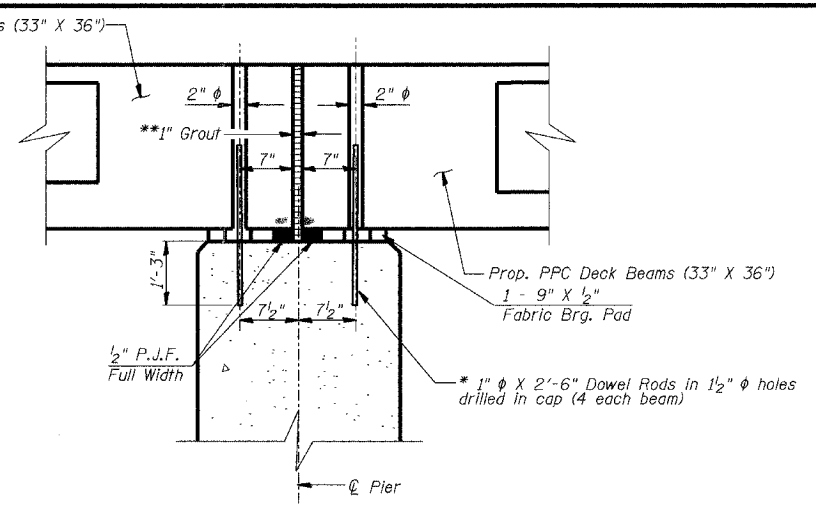
CONTRACT NO. 91317



PILE DATA

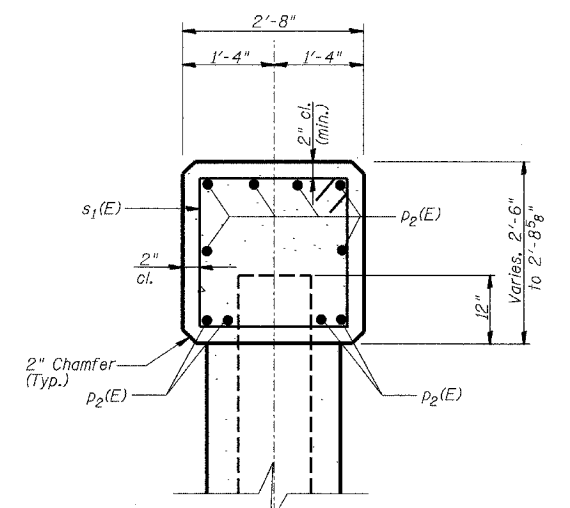
Type: Metal Pile Shells 12"
 Capacity: 45 Tons
 Est. Length: Pier 1 = 41'-0"
 Pier 2 = 48'-0"
 No. Required: Pier 1 = 5 plus 1 permanent test pile
 Pier 2 = 6

PLAN



SECTION THRU PIER

*After the beams are in place, 1 1/2" ϕ holes shall be drilled into the bridge seat, and the dowel rods grouted and allowed to cure (min. 24 hrs.) prior to grouting the shear keys. The grout shall be an approved non-shrink grout.
 **1" Joint shall be filled with an approved non-shrink grout in place and allowed to cure 24 hrs. 1" dimension may vary plus or minus to accommodate tolerance in beam lengths.

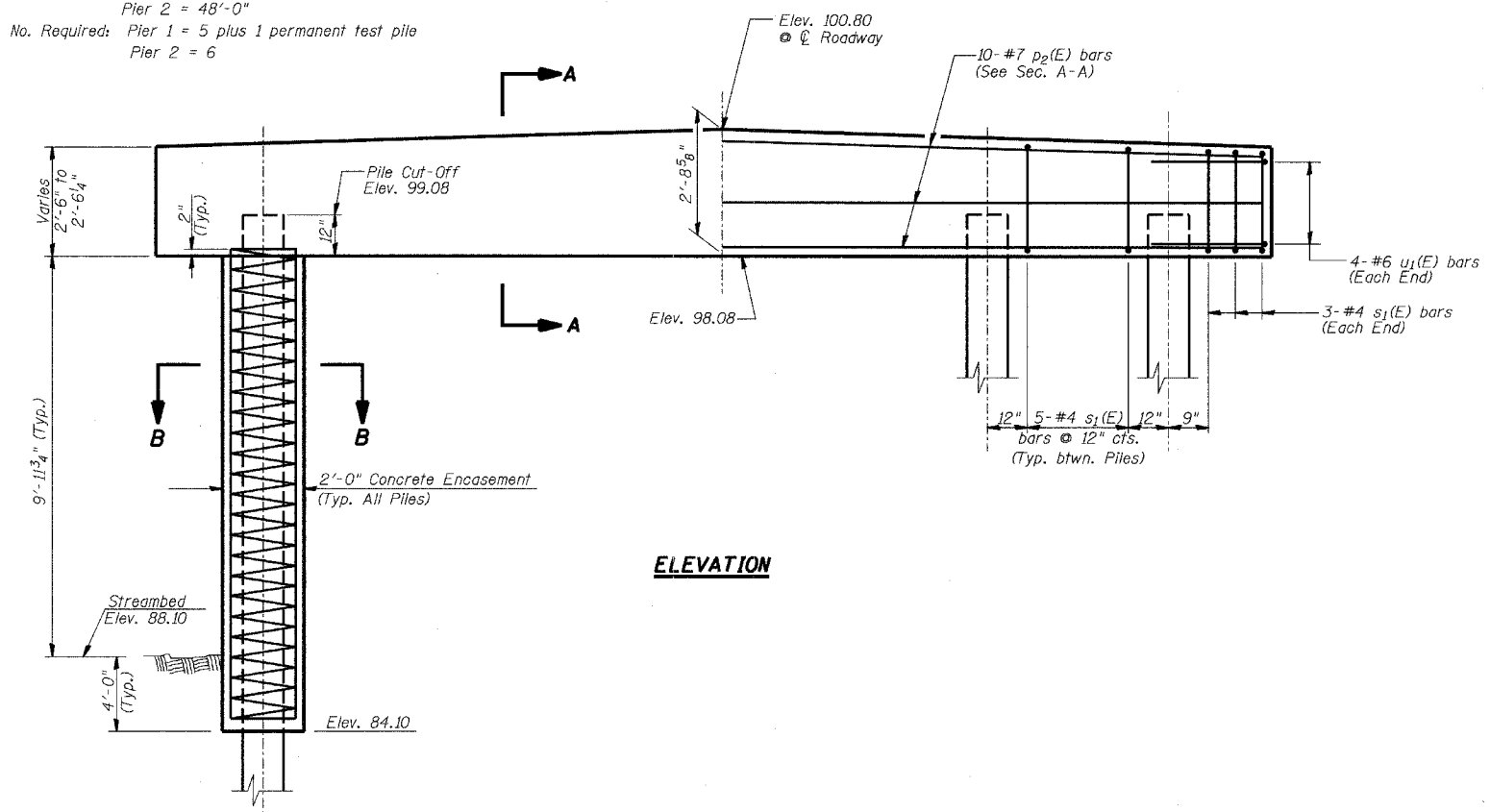


SECTION A-A

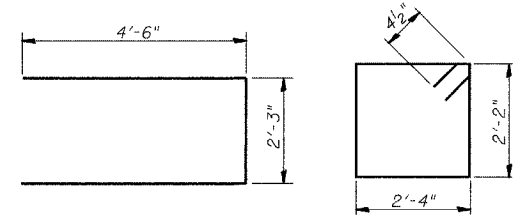
**BILL OF MATERIAL
PIER 1 & 2**

Bar	No.	Size	Length	Shape	
$d_2(E)$	20	#7	34'-4"	—	
$s_1(E)$	62	#4	9'-9"	□	
$u_1(E)$	16	#6	11'-3"	—	
Concrete Structures				Cu. Yd.	17.9
Reinforcement Bars, Epoxy Coated				Pound	2080
Furnishing Metal Pile Shells 12"				Foot	493
Driving and Filling Shells				Foot	493
Test Pile Metal Shells				Each	1
Concrete Encasement				Cu. Yd.	19.6
Underwater Structure Excavation Protection, Location No. 1 ***				Each	1
Underwater Structure Excavation Protection, Location No. 2 ***				Each	1

*** Location No. 1 = Pier No. 1
 Location No. 2 = Pier No. 2

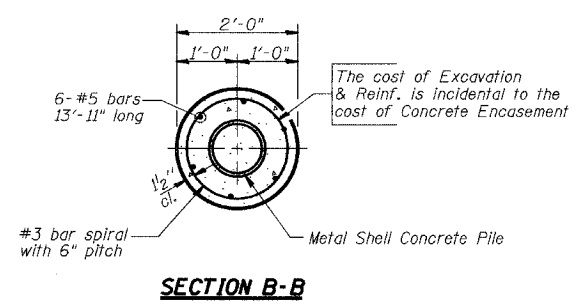


ELEVATION



BAR $u_1(E)$

BAR $s_1(E)$



SECTION B-B

PIER 1 & PIER 2		Date	Designed MJJ	C.H. 54 OVER SOUTH FORK CREEK SECTION 03-00177-00-BR MACON COUNTY STA. 15+03.44 PROP. STR. NO. 058-3365	Sheet No.
Revisions	Drawn BKN				7
	Checked GAC				
	Approved KWB				
Prepared by: URS		3040 North University Avenue Decatur, IL 62526			