

T.R.	SECTION	COUNTY	TOTAL SHEETS	SHEET NO.
235	93-02108-00-8R	CHRISTIAN	16	2
STA.		TO STA.		
FED. ROAD DIST. NO.		ILLINOIS FED. AID PROJECT		

SUMMARY OF QUANTITIES

CODE NO.	ITEM	UNIT	QUANTITY
20100110	TREE REMOVAL (6 TO 15 UNITS DIAMETER)	UNIT	37
20100210	TREE REMOVAL (OVER 15 UNITS DIAMETER)	UNIT	35
* 20200100	EARTH EXCAVATION	CY	150
20300100	CHANNEL EXCAVATION	CY	91
* 20400800	FURNISHED EXCAVATION	CY	2034
* 25001000	SEEDING, CLASS 2 (SPECIAL)	ACRE	0.9
28000250	TEMPORARY EROSION CONTROL SEEDINGS	POUND	150
28000300	TEMPORARY DITCH CHECKS	EACH	4
28000400	PERIMETER EROSION BARRIER	FOOT	1230
28100807	STONE DUMPED RIPRAP, CLASS A4	TON	302
28200100	FILTER FABRIC FOR USE WITH RIPRAP	SQ YD	450
* 40200800	AGGREGATE SURFACE COURSE, TYPE B	TON	580
* 50100100	REMOVAL OF EXISTING STRUCTURES	EACH	1
50200100	STRUCTURE EXCAVATION	CY	33
50300225	CONCRETE STRUCTURES	CY	47.4
* 50400405	PRECAST PRESTRESSED CONCRETE DECK BEAMS (21" DEPTH)	SQ FT	2205
50800105	REINFORCEMENT BARS	POUND	4610
50900205	STEEL RAILING, TYPE S1	FOOT	185
51201400	FURNISHING STEEL PILES HP 10X42	FOOT	287
51202700	DRIVING STEEL PILES	FOOT	287
51203400	TEST PILE STEEL HP 10X42	EACH	3
51204315	CONCRETE ENCASEMENT	CY	3.6
51500100	NAME PLATES	EACH	1
54201495	PIPE CULVERTS, TYPE 2, CORRUGATED STEEL OR ALUMINUM CULVERT PIPE 30"	FOOT	48
* 70101830	TRAFFIC CONTROL AND PROTECTION STANDARD BLR 21	LUMP SUM	1
78201000	TERMINAL MARKER-DIRECT APPLIED	EACH	4
* X5020501	UNDERWATER STRUCTURE EXCAVATION PROTECTION, LOCATION 1	EACH	1

* SEE SPECIAL PROVISIONS
CONSTRUCTION TYPE CODE X080-2A

GENERAL NOTES

WHERE SECTION OR SUBSECTION MONUMENTS ARE ENCOUNTERED, THE ENGINEER SHALL BE NOTIFIED BEFORE SUCH MONUMENTS ARE REMOVED. THE CONTRACTOR SHALL PROTECT AND CAREFULLY PRESERVE ALL PROPERTY MARKS AND MONUMENTS UNTIL THE OWNER, AN AUTHORIZED SURVEYOR OR AGENT HAS WITNESSED OR OTHERWISE REFERENCED THEIR LOCATION.

THE CONTRACTOR SHALL CONSULT WITH THE ENGINEER IN REGARD TO THE EXACT LENGTHS OF PIPE CULVERTS PRIOR TO ORDERING THESE ITEMS.

IT IS THE CONTRACTOR'S RESPONSIBILITY TO VERIFY ALL DIMENSIONS AND CONDITIONS EXISTING IN THE FIELD PRIOR TO CONSTRUCTION AND ORDERING MATERIALS.

ALL DISTURBED EARTH SURFACES WITHIN THE LIMITS OF THE RIGHT-OF-WAY AND EASEMENTS SHALL BE SEEDDED AS DIRECTED BY THE ENGINEER.

ESTIMATED QUANTITIES

ITEM	RATE OF APPLICATION
SEEDING CLASS 2 (SPECIAL)	= 0.9
NITROGEN FERTILIZER NUTRIENTS	= 80 LBS./ACRE
PHOSPHORUS FERTILIZER NUTRIENTS	= 320 LBS./ACRE
POTASSIUM FERTILIZER NUTRIENTS	= 160 LBS./ACRE
MULCH METHOD 2	2 TONS/ACRE

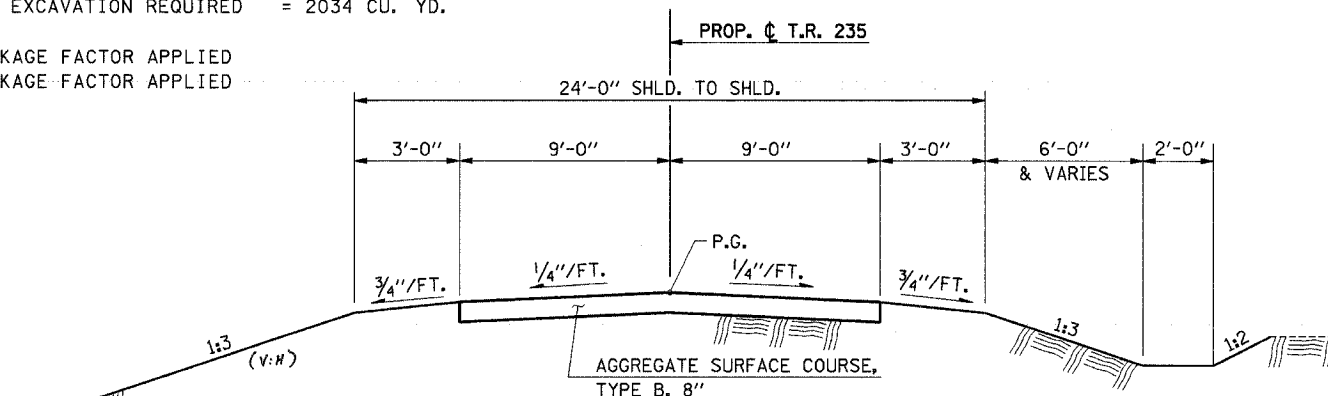
THE SEEDING MIXTURE SHALL CONFORM TO ROADSIDE MIXTURE TYPE 2.

EARTHWORK SUMMARY

EARTH EXCAVATION = 150 CU. YD. (IN PLACE)
CHANNEL EXCAVATION = 91 CU. YD. (IN PLACE)
TOTAL FILL REQ'D. = 2201 CU. YD. (IN PLACE)

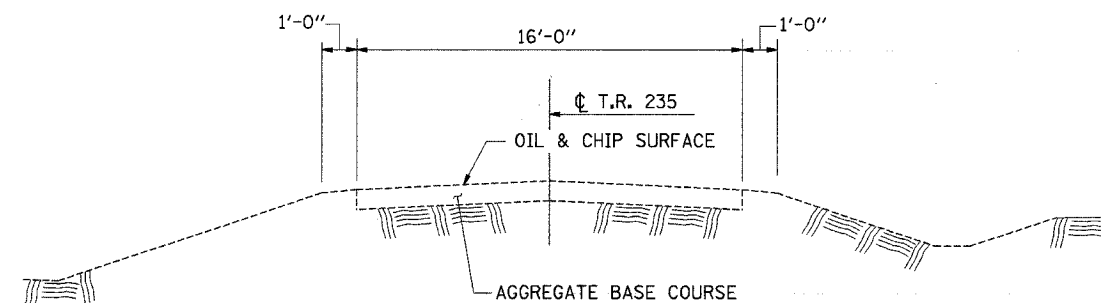
** ESTIMATE OF FILL FROM EARTH EX. = 112 CU. YD.
*** ESTIMATE OF SUITABLE FILL FROM CHANNEL EX. = 55 CU. YD.
FURNISHED EXCAVATION REQUIRED = 2034 CU. YD.

** 25% SHRINKAGE FACTOR APPLIED
*** 40% SHRINKAGE FACTOR APPLIED



PROPOSED TYPICAL SECTION T.R. 235

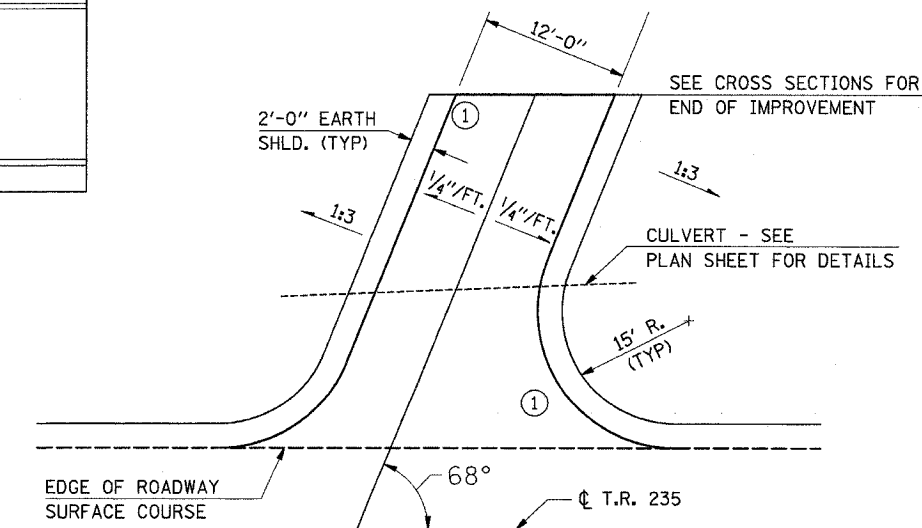
A.D.T. < 150
LOCAL ROAD DESIGN



EXISTING TYPICAL CROSS SECTION

TREE REMOVAL SCHEDULE

STATION	LT/RT	OFFSET (FOOT)	TREE REMOVAL (6 TO 15 UNITS DIA.)	TREE REMOVAL (OVER 15 UNITS DIA.)
2+53	LT	23.00'	7	
5+28	RT	36.00'	8	
5+28	RT	36.00'	8	
5+91	RT	40.00'	14	
5+95	RT	39.20'		17
5+98	RT	34.00'		18
TOTAL			37	35



PRIVATE ENTRANCE DETAIL

① AGGREGATE SURFACE COURSE, TYPE B (6")