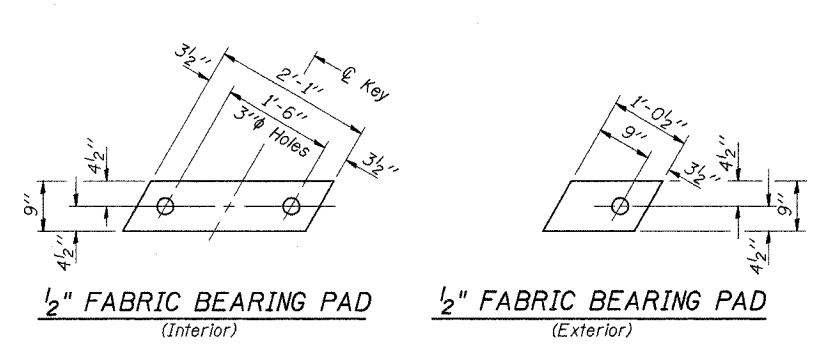
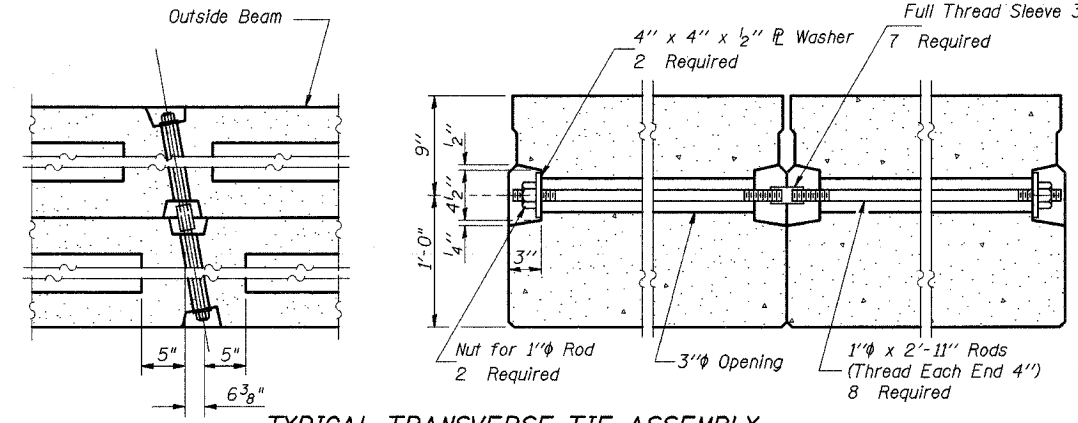


T.R.	SECTION	COUNTY	TOTAL SHEETS	SHEET NO.
235	93-02108-00-BR	CHRISTIAN	16	11
FED. ROAD DIST. NO.	ILLINOIS	FED. AID PROJECT		
SHEET 2 OF 7				

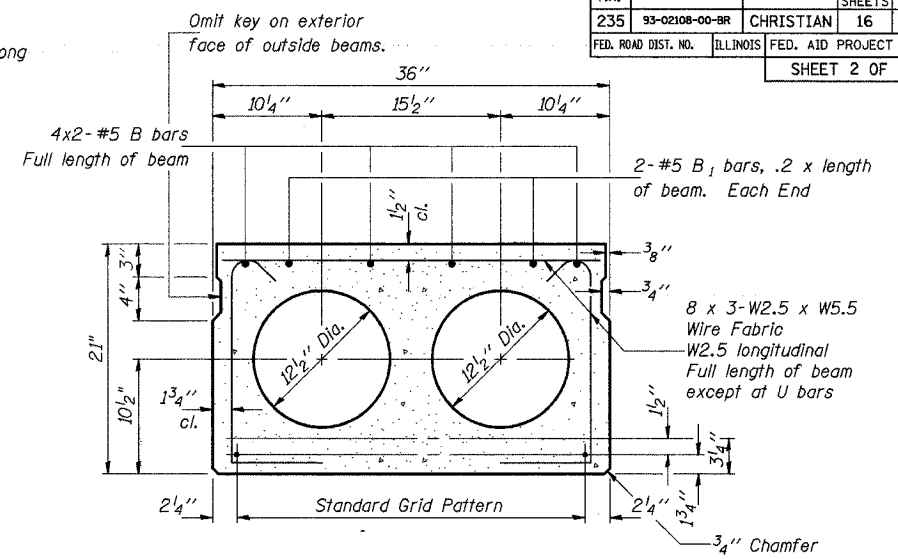


1/2" FABRIC BEARING PAD (Interior) 1/2" FABRIC BEARING PAD (Exterior)

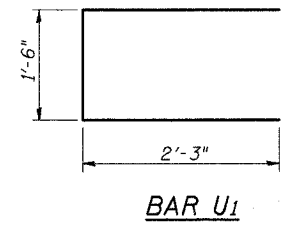
FIXED



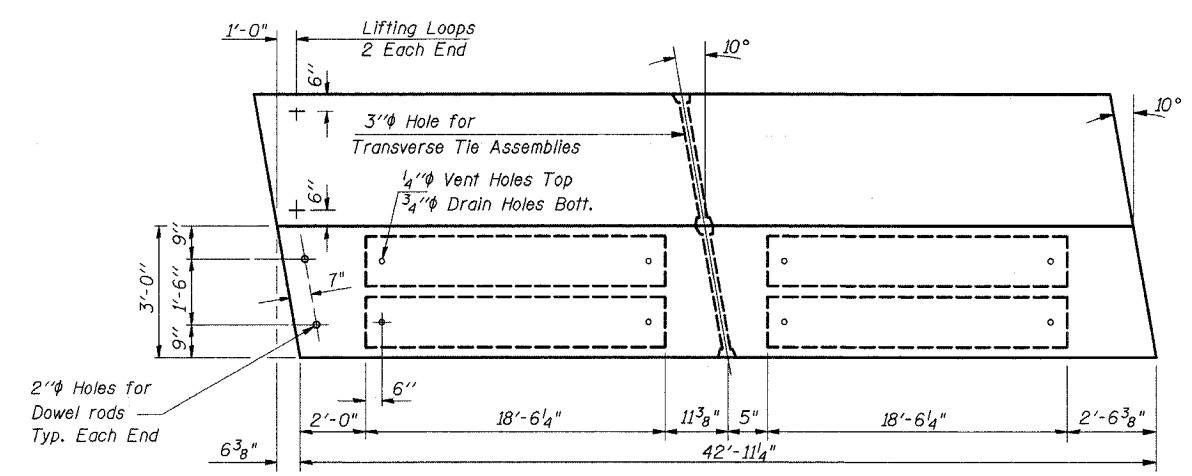
TYPICAL TRANSVERSE TIE ASSEMBLY



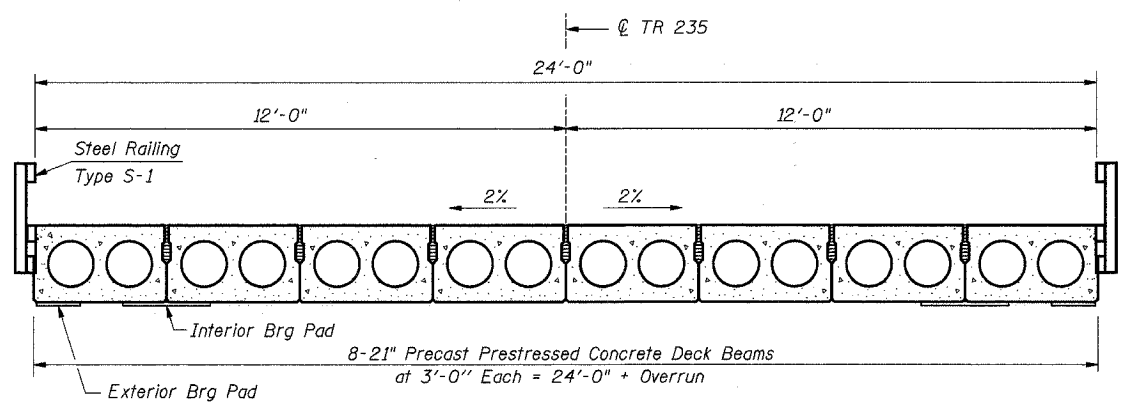
TYPICAL SECTION
 11-1/2" ϕ Strands, Each Strand Stressed to 28,900 Lbs.
 7-Strands 1 3/4" up, 4-Strands 3/4" up
 Note: Place strands symmetrically about ϕ of beam.



BAR U1



PLAN

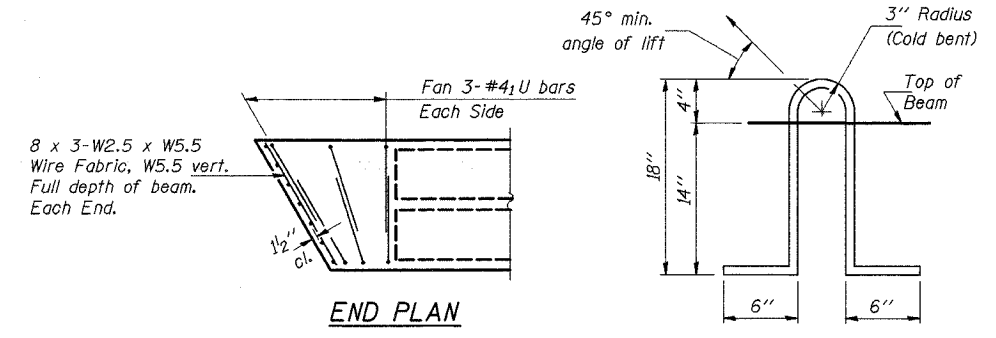


8-21" Precast Prestressed Concrete Deck Beams at 3'-0" Each = 24'-0" + Overrun

BILL OF MATERIAL

Bars for One Beam Only

Bar No.	Size	Length	Shape
B	#5	22'-5"	—
B ₁	#5	8'-7"	—
U ₁	#5	6'-0"	□
Precast Prestressed Conc. Deck Bms. 21"			Sq. Ft. 1030



LIFTING LOOP DETAIL

NOTES

Prestressing steel shall be uncoated high strength, stress-relieved 7-wire strand, Grade 270. The nominal diameter shall be 1/2" and the nominal cross-sectional area shall be 0.153 sq. in. Lifting loops shall be 2 - 1/2" ϕ - 270 ksi strands, as shown. The 1" rods in the transverse tie assembly shall be tightened to a snug fit and the threads set. Pockets that receive transverse tie bar on outside shall be filled with grout after transverse tie assembly is in place. Reinforcement bars shall conform to the requirements of AASHTO M-31, M-42 or M-53 Grade 60. The bearing seat surfaces shall be adjusted by shimming to assure firm and even bearing. Two 1/8" fabric adjusting shims of the dimensions of the Exterior Bearing Pad shall be provided for each bearing. Keyway surfaces shall be cleaned to remove form oil or other bond breaking material prior to shipment of the beams. Cleaning shall be done by sandblasting the keyway areas between top of the beam and the bottom edge of the key. Required Release Strength, f'ci, shall be 4000 p.s.i. An equal substitution of the low-relaxation strands for the stress-relieved strands will be permitted. Rail Post Anchor Devices to be cast into Exterior Face of Outside Beams as specified elsewhere.

SPAN 1 BEAM DETAILS
T.R. 235 OVER PRAIRIE FORK CREEK
SECTION 93-02108-00-BR
CHRISTIAN COUNTY
STR. NO. 011-3399
STA. 5+46.25

ie consultants
 INTERNATIONAL ENGINEERING CONSULTANTS, INC.
 6420 SOUTH SIXTH STREET
 SPRINGFIELD, ILLINOIS 62707
 TEL. (217) 529-8027
 FAX (217) 529-4543
 IESPRINGFIELD@IE-CONSULTANTS.COM
 WWW.IE-CONSULTANTS.COM

DRAWN BY: JPH	CHECKED BY: CBM	DATE: 06-22-04	PROJECT: S03037
---------------	-----------------	----------------	-----------------

FILE: G:\S03037\AD\STRUCT\3037RM1.DGN 08/19/04 08:34:11 AM