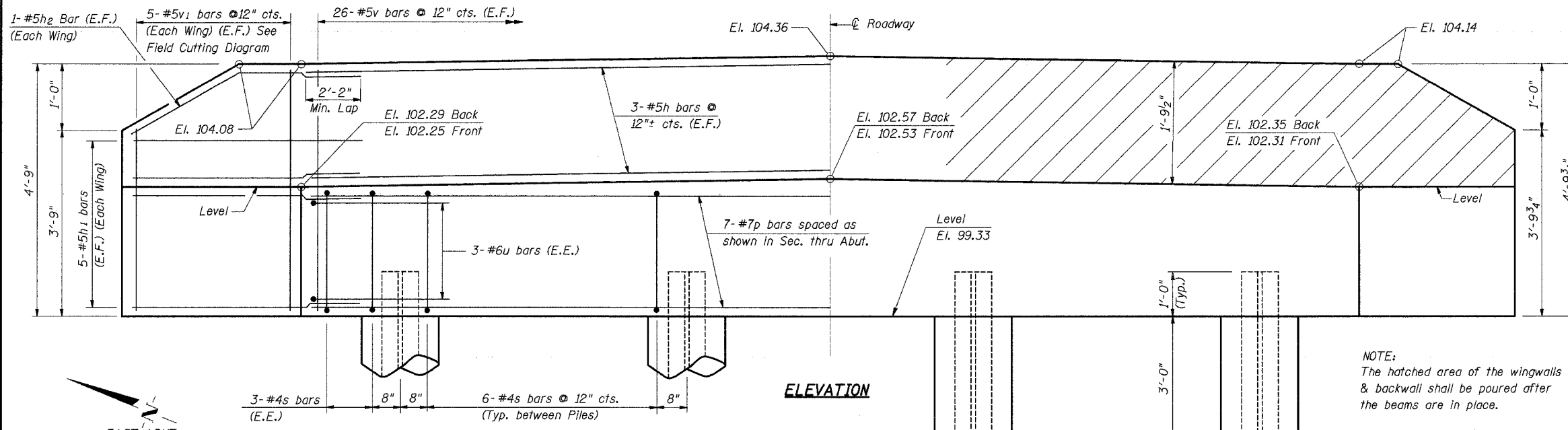


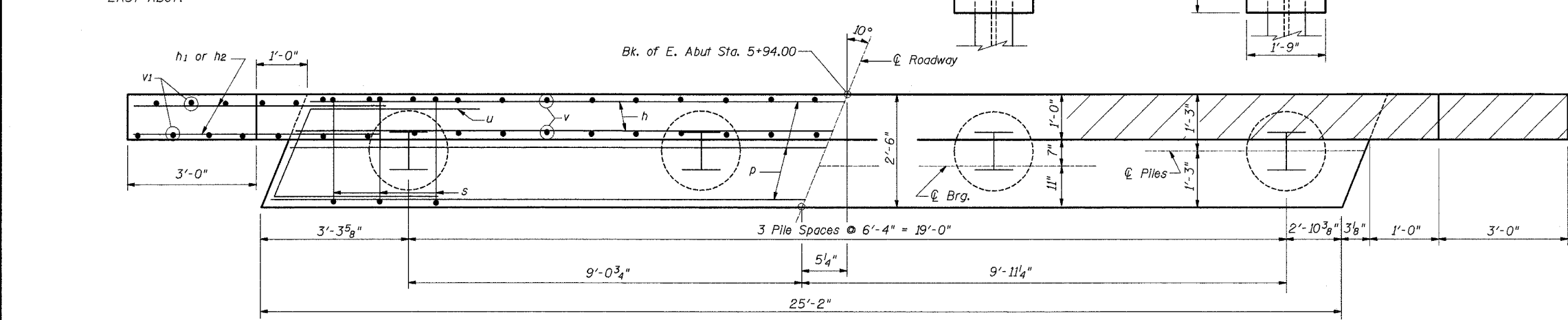
T.R.	SECTION	COUNTY	TOTAL SHEETS	SHEET NO.
235	93-02108-00-BR	CHRISTIAN	16	14
FED. ROAD DIST. NO.		ILLINOIS	FED. AID PROJECT	
SHEET 5 OF 7				



BILL OF MATERIAL

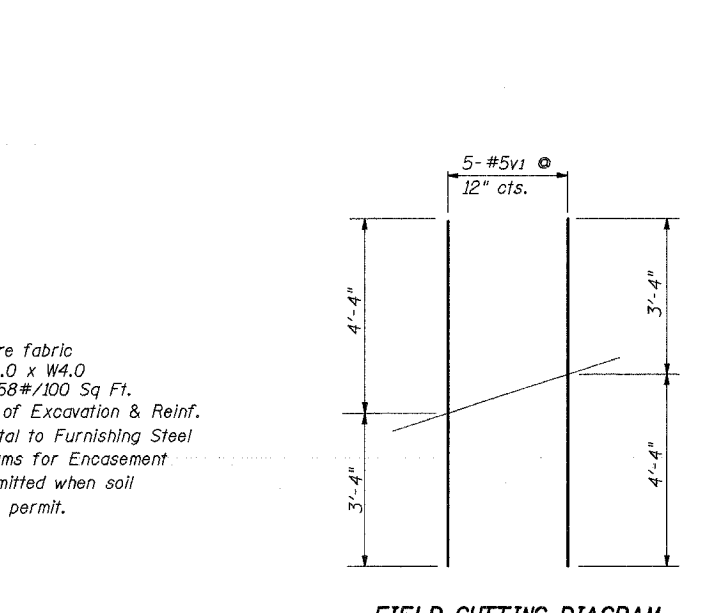
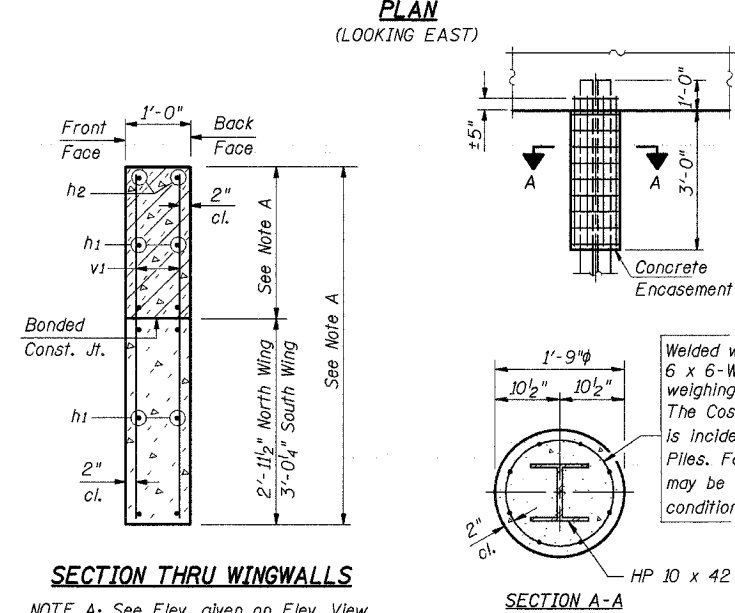
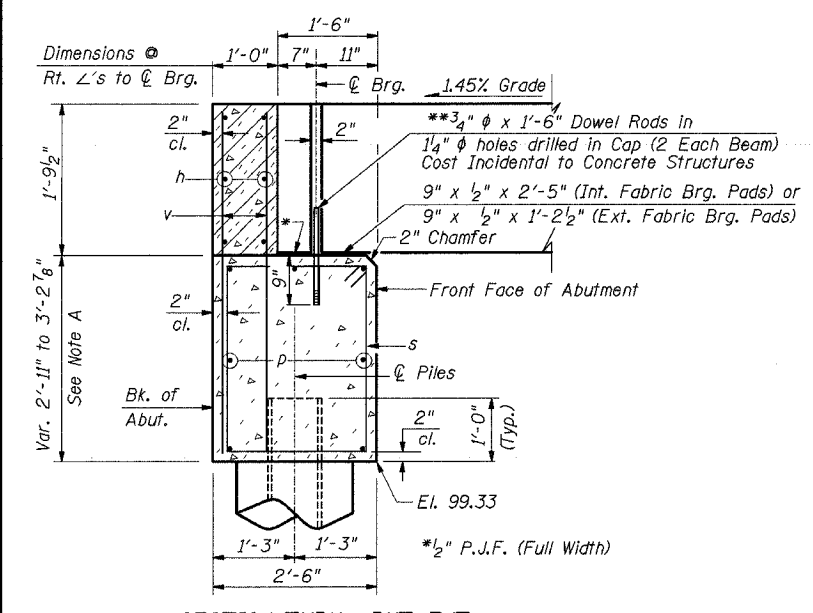
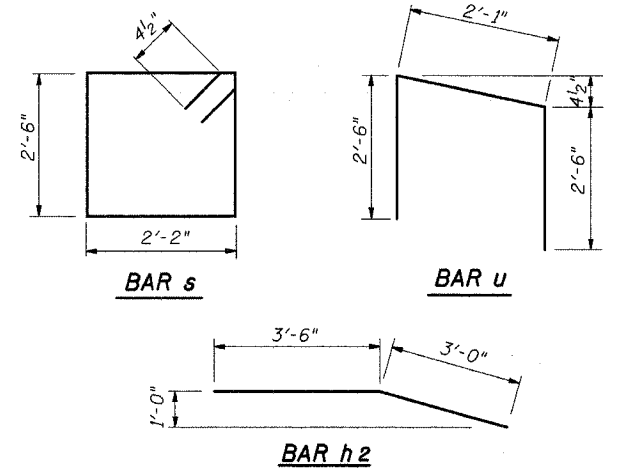
Bar	No.	Size	Length	Shape
h	6	#5	24'-9"	—
h1	20	#5	6'-6"	—
h2	4	#5	6'-6"	—
p	7	#7	24'-9"	—
s	24	#4	10'-1"	□
u	6	#6	7'-1"	□
v	52	#5	4'-6"	—
v1	10	#5	7'-8"	—

ITEM	UNIT	QUANTITY
Reinforcement Bars	Pound	1230
Concrete Structures	Cu. Yd.	9.9
Furnishing Steel Piles, HP 10 x 42	Foot	87
Driving Steel Piles	Foot	87
Test Piles	Each	1
Structure Excavation	Cu. Yd.	4
Conc. Encasement	Cu. Yd.	1.1



PILE DATA

Type = Steel HP 10 x 42
 Capacity Required = Drive to Refusal
 Estimated Length = 29'
 Number Req'd. = 4 (Including 1 Test Pile)



EAST ABUTMENT DETAILS
 T.R. 235 OVER PRAIRIE FORK CREEK
 SECTION 93-02108-00-BR
 CHRISTIAN COUNTY
 STR. NO. 011-3399
 STA. 5+47.00

ie consultants
 INTERNATIONAL ENGINEERING CONSULTANTS, INC.
 6440 SOUTH SIXTH STREET
 SPRINGFIELD, ILLINOIS 62707
 TEL. (217) 529-8027
 FAX (217) 529-4543
 IESPRINGFIELD@IE-CONSULTANTS.COM
 WWW.IE-CONSULTANTS.COM

DRAWN BY: JPH	CHECKED BY: GBM	DATE: 06-22-04	PROJECT: S03037
---------------	-----------------	----------------	-----------------

FILE: G:\S03037\CAD\STRUCT\3037E-ABT.DWG 09/07/10 AM