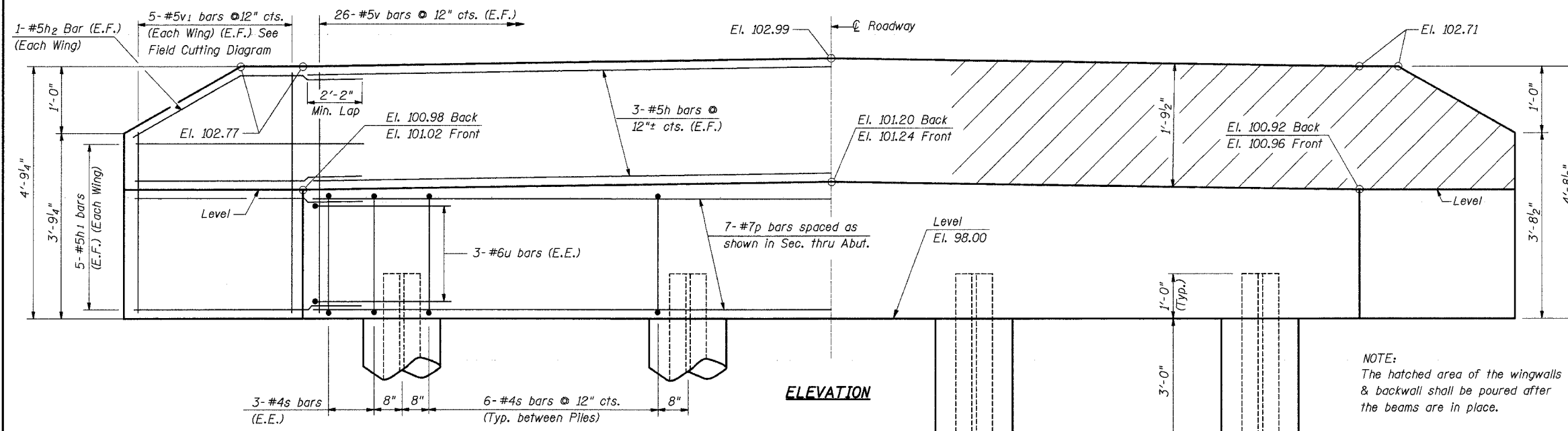


T.R.	SECTION	COUNTY	TOTAL SHEETS	SHEET NO.
235	93-02108-00-BR	CHRISTIAN	16	15
FED. ROAD DIST. NO.		ILLINOIS	FED. AID PROJECT	
SHEET 6 OF 7				



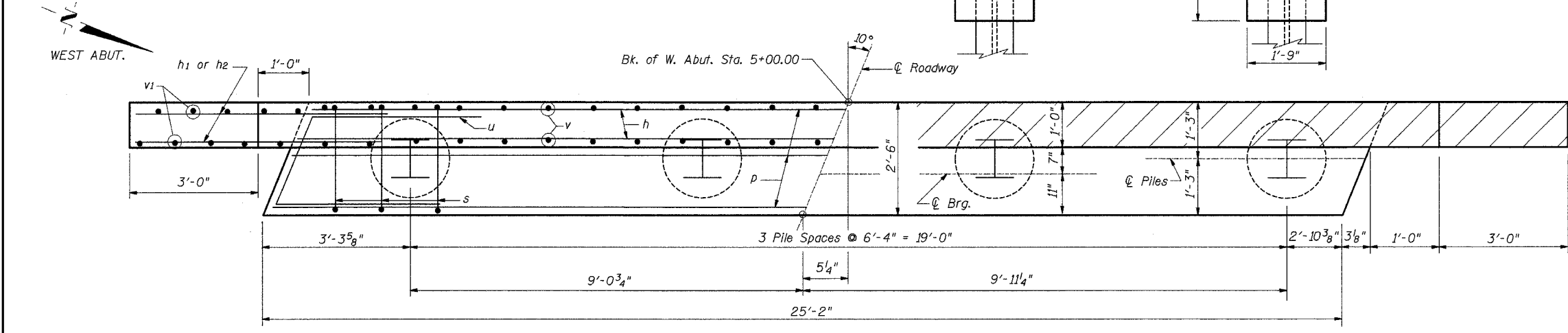
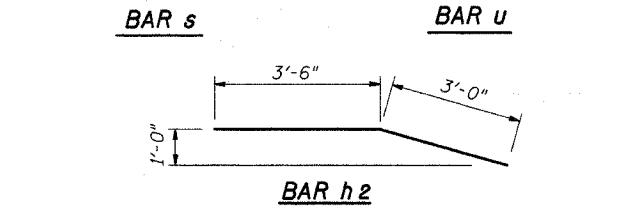
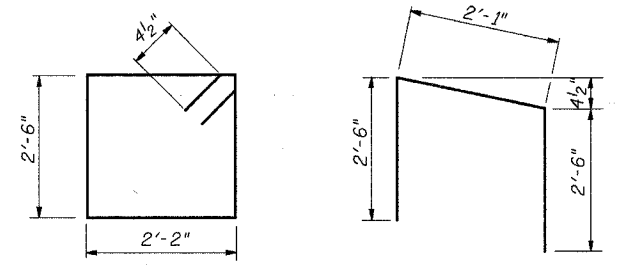
NOTE:
The hatched area of the wingwalls & backwall shall be poured after the beams are in place.

BILL OF MATERIAL

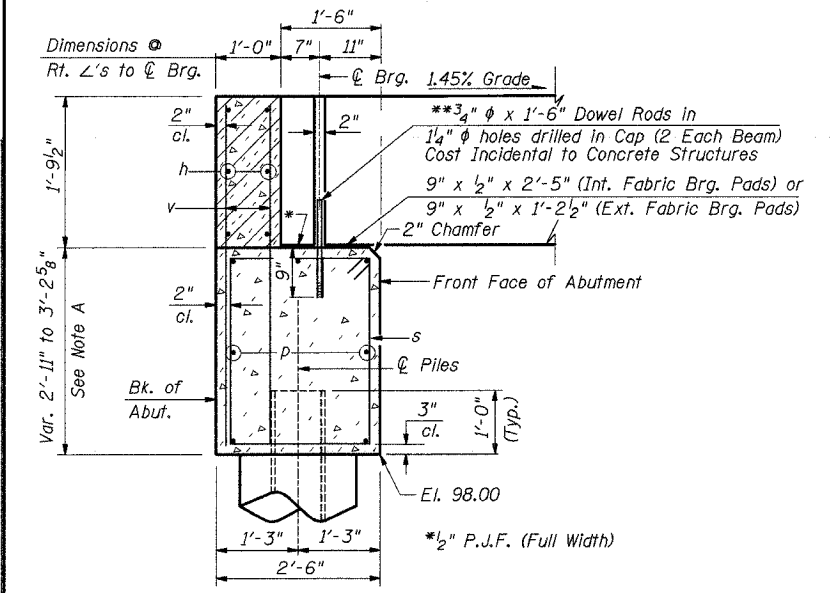
Bar	No.	Size	Length	Shape
h	6	#5	24'-9"	—
h1	20	#5	6'-6"	—
h2	4	#5	6'-6"	—
p	7	#7	24'-9"	—
s	24	#4	10'-1"	□
u	6	#6	7'-1"	□
v	52	#5	4'-6"	—
v1	10	#5	7'-8"	—
ITEM		UNIT	QUANTITY	
Reinforcement Bars		Pound	1230	
Concrete Structures		Cu. Yd.	9.9	
Furnishing Steel Piles, HP 10 x 42		Foot	84	
Driving Steel Piles		Foot	84	
Test Piles		Each	1	
Structure Excavation		Cu. Yd.	10	
Conc. Encasement		Cu. Yd.	1.1	

PILE DATA

Type = Steel HP 10 x 42
Capacity Required = Drive to Refusal
Estimated Length = 28'
Number Req'd. = 4 (Including 1 Test Pile)

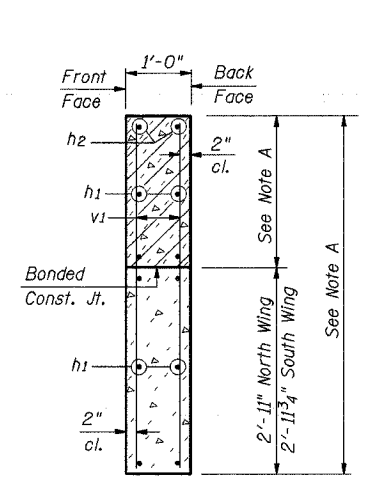


PLAN (LOOKING WEST)



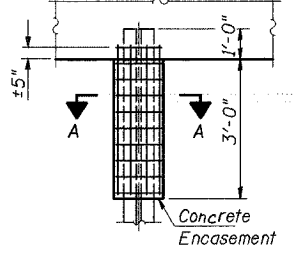
SECTION THRU ABUTMENT

** Dowel Rods to be grouted after beams are in place and prior to grouting the shear keys.

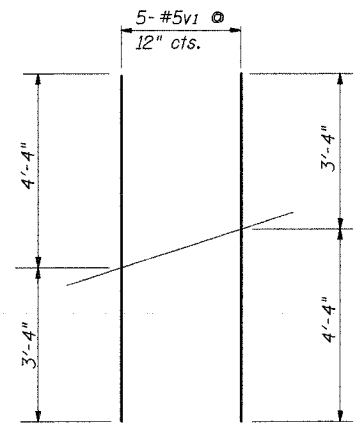


SECTION THRU WINGWALLS

NOTE A: See Elev. given on Elev. View



PILE ENCASEMENT DETAIL



FIELD CUTTING DIAGRAM

Order v1 bars full length, cut to fit in field and place remainder in opposite face of wall.

WEST ABUTMENT DETAILS
T.R. 235 OVER PRAIRIE FORK CREEK
SECTION 93-02108-00-BR
CHRISTIAN COUNTY
STR. NO. 011-3399
STA. 5+47.00

ie INTERNATIONAL ENGINEERING CONSULTANTS, INC.
6420 SOUTH SIXTH STREET
SPRINGFIELD, ILLINOIS 62707
TEL (217) 528-8027
FAX (217) 528-4643
IESPRINGFIELD@IE-CONSULTANTS.COM
WWW.IE-CONSULTANTS.COM

DRAWN BY:	CHECKED BY:	DATE:	PROJECT:
JPH	GBM	06-22-04	S03037

FILE: G:\S03037\CADD\STRUCT\3037W.ABT.dwg 09/07/15 9:59 AM