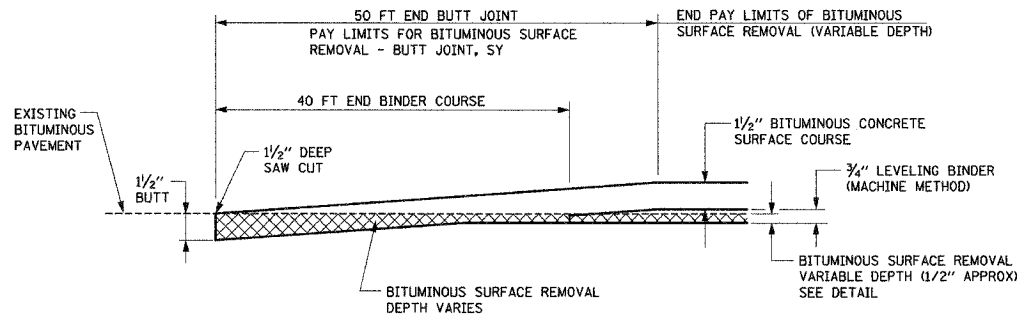
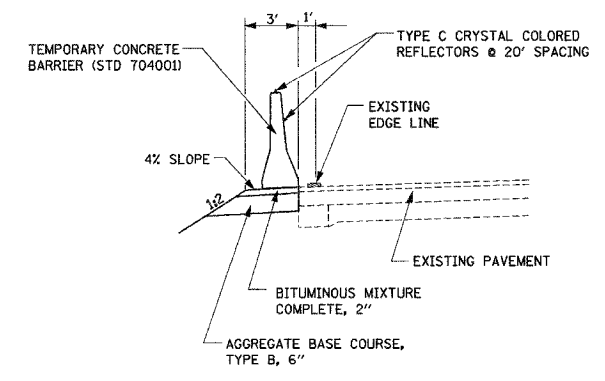


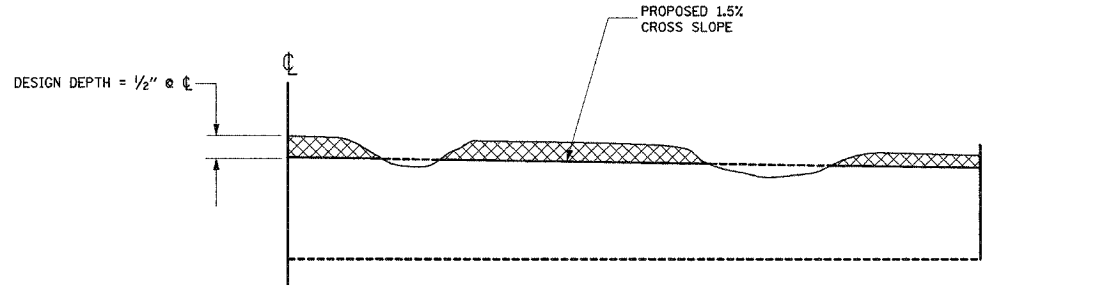
F.A.P. RTE.	SECTION	COUNTY	TOTAL SHEETS	SHEET NO.
328	5R, Y, RS-1	CLAY	376	9
STA.		TO STA.		
FED. ROAD DIST. NO. 7		ILLINOIS FED. AID PROJECT		
CONTRACT No 94367				



BUTT JOINT DETAIL
 STA 967+50.00 TO STA 968+00.00
 STA 1143+00.00 TO STA 1143+50.00



TYPICAL SECTION
 TEMPORARY CONCRETE BARRIER ADJACENT TO EXISTING OR DETOUR PAVEMENT



DETAIL OF BITUMINOUS SURFACE REMOVAL (VARIBLE DEPTH)
 AREA MILLED

- NOTES:**
- MILLING SHALL BE DONE TO ATTAIN A 1.5% SLOPE IN CROWN SECTIONS.
 - EXISTING S.E. AND S.E. TRANSITIONS SHALL BE MAINTAINED UNLESS OTHERWISE SHOWN ON THE PLANS.
 - MILLING TO THE BOTTOM OF WHEEL RUTS SHALL NOT BE NECESSARY UNLESS REQUIRED TO OBTAIN SLOPE OR THE DESIGN DEPTH AT CENTERLINE.

REVISIONS	
NAME	DATE

ILLINOIS DEPARTMENT OF TRANSPORTATION

TYPICAL SECTIONS

SCALE: NO SCALE
 DATE: 12-14-04

DRAWN BY: UJ
 CHECKED BY: JJC

... 12/14/04 12:45:38 PM