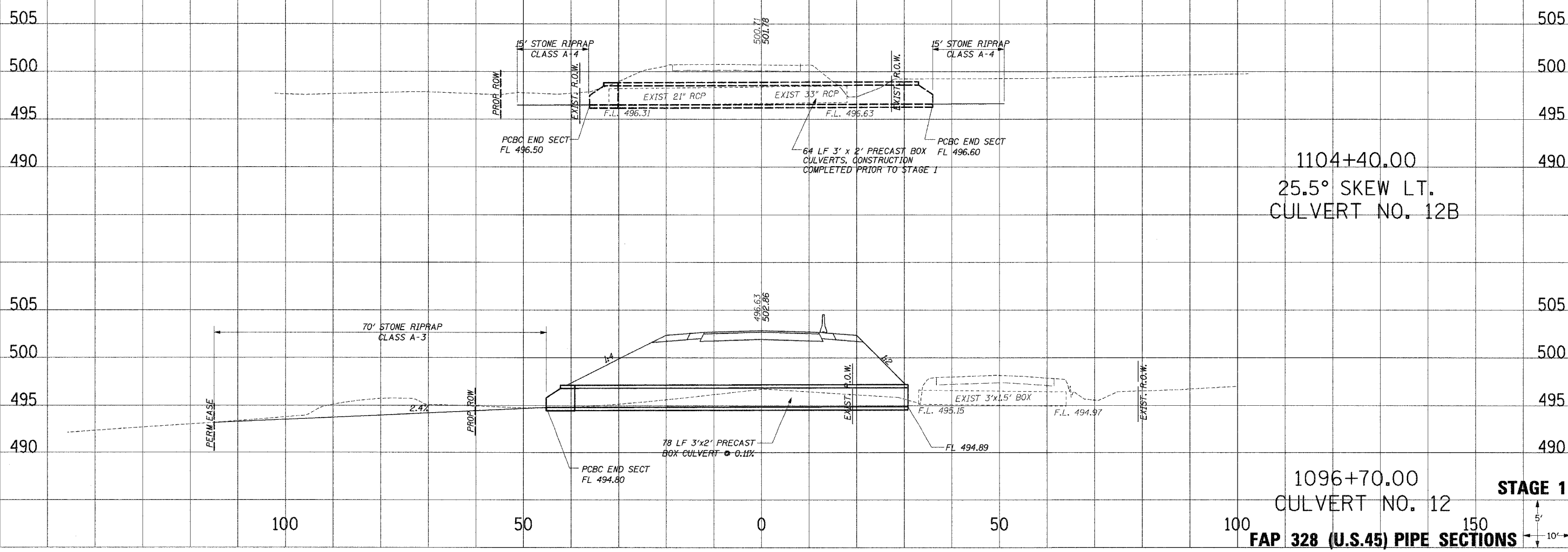


F.A. DIST.	SECTION	COUNTY	TOTAL SHEETS	SHEET NO.
328	5R, Y, RS-1	CLAY	376	69
STA.		TO STA.		
FED. ROAD DIST. NO.		BILLINGS		FED. AID PROJECT
CONTRACT No 94367				

SHEET PLOTTED
 NOTE BOOK TEMPLATE
 AREAS CHECKED
 PRESS CHECKED
 NO.

SHEET PLOTTED
 NOTE BOOK TEMPLATE
 AREAS CHECKED
 PRESS CHECKED
 NO.



FAP 328 (U.S.45) PIPE SECTIONS