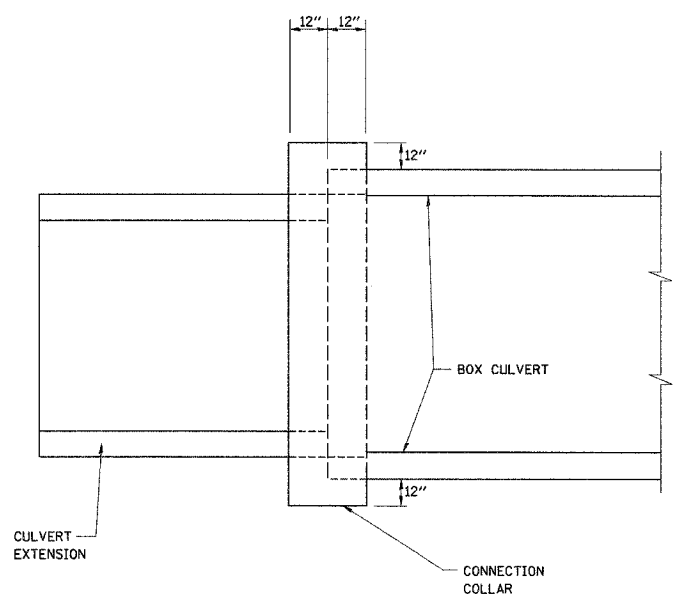


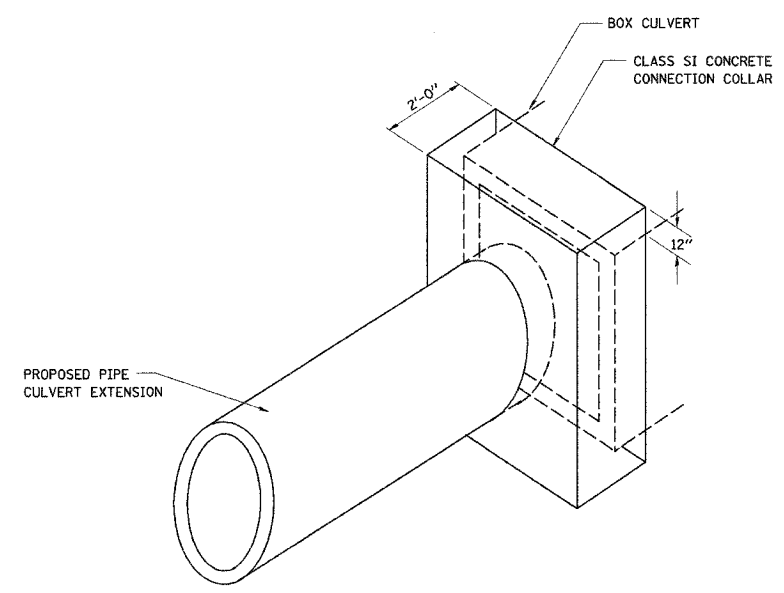
P.L. #	SECTION	COUNTY	TOTAL SHEETS	SHEET NO.
328	5R, Y, RS-L	CLAY	376	85
STA.	TO STA.			

EXISTING CONDITIONS:

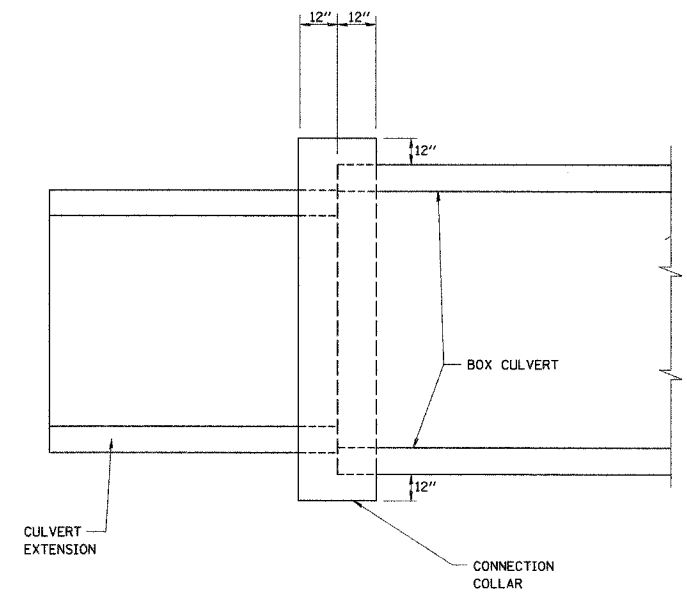
CONTRACT No 94367



PLAN VIEW
NOT TO SCALE

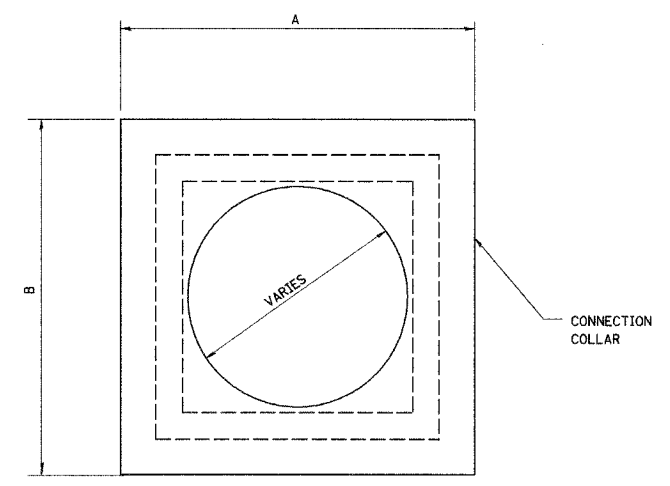


PIPE CULVERT EXTENSION SKETCH
NOT TO SCALE



ELEVATION VIEW
NOT TO SCALE

CULVERT NO.	STA	SPAN	RISE	PIPE	DIM A	DIM B	CLASS SI CONC
2	984+34	3'	3'	30"	5'-8"	5'-8"	2.0 CY
3	989+09	3'	3'	36"	5'-8"	5'-8"	1.9 CY
4	997+02	4'	2'	18"	6'-10"	4'-10"	2.3 CY
5	1001+12	4'	2'	24"	6'-10"	4'-10"	2.2 CY
TOTAL							8.4 CY



FRONT VIEW
NOT TO SCALE

1. PIPE CULVERT EXTENSION TO BE CENTERED ON BOX CULVERT OPENING
2. THE CONNECTION COLLAR SHALL BE CLASS SI CONCRETE THROUGHOUT
3. UNSUITABLE MATERIAL SHALL BE DISPOSED OF AS PER THE STANDARD SPECIFICATIONS
4. COLLAR SHALL BE PAID FOR AS CONCRETE COLLAR.

REVISIONS	
NAME	DATE

ILLINOIS DEPARTMENT OF TRANSPORTATION
**CONCRETE COLLAR DETAIL
FOR STAGE CONSTRUCTION**