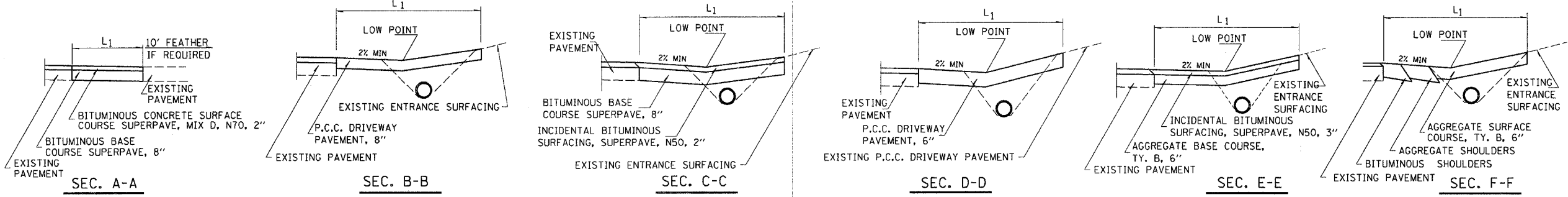
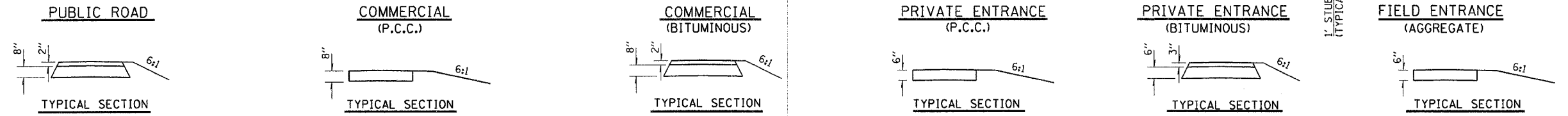
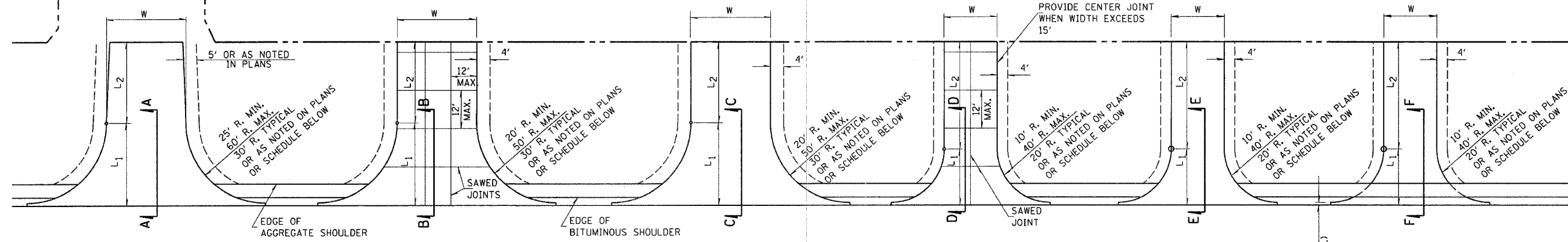


L<sub>1</sub> = DISTANCE FROM EDGE OF PAVEMENT TO RADIUS POINT OR MAX. DISTANCE 30'  
L<sub>2</sub> = DISTANCE FROM RADIUS POINT OR MAX DISTANCE 30' OFF EDGE OF PAVEMENT TO R.O.W. LINE.  
NOTE: MATERIAL USED TO CONSTRUCT L<sub>2</sub> LENGTH SHALL BE OF THE SAME TYPE OF MATERIAL AS EXISTING ENTRANCE.



ENTRANCE SCHEDULE

EXIST SURFACE	TYPE	SIDE/STATION	WIDTH		RADIUS	AGGREGATE BASE COURSE TYPE B			INCID. BIT. SURFACING, SUPERPAVE, NSO	P.C.C. DRIVEWAY PAV'T		BIT. CONCRETE SURFACE COURSE SUPERPAVE, MIX D, NTO	TEMPORARY ACCESS (PE)	TEMPORARY ACCESS (CE)
			L <sub>1</sub>	L <sub>2</sub>		TON	SO. YD.	TON		SO. YD.	TON			
EARTH	FE	RT/891+01.17	12'	20'	8'	20'								
AGG	PE	LT/891+22.08	24'	30'	8'	30'								
CONC	CE	RT/894+30.00	35'	30'	56'	30'				377			1	1
EARTH	CE	LT/904+04.27	24'	30'	13'	30'				158				
EARTH	FE	RT/904+30.49	12'	20'	23'	20'								
AGG	CE	RT/910+06.27	35'	30'	13'	30'		157	17	18			1	1
AGG	CE	RT/913+87.84	35'	30'	13'	30'		160	17	18			1	1
EARTH	FE	RT/918+51.20	18'	20'	18'	20'			7				1	
AGG	PE	LT/924+80.00	13'	20'	11'	20'		23	1	12			1	
EARTH	FE	LT/932+90.00	12'	20'	23'	20'			5				1	
EARTH	FE	RT/934+20.00	12'	20'	23'	20'			5				1	
EARTH	FE	RT/941+00.00	20'	20'	23'	20'			7				1	
AGG	CE	LT/953+15.73	35'	30'	8'	30'		160	11	18			1	1
AGG	PE	RT/967+27.95	12'	20'	18'	20'		16	8	8			1	
BIT	PE	RT/970+42.68	24'	20'	8'	20'							1	
CONC	PE	RT/972+37.06	17'	20'	8'	20'							1	
CONC	PE	LT/973+25.02	12'	20'	8'	20'				72			1	
CONC	PE	RT/977+48.03	22'	20'	8'	20'				56			1	
BIT	PE	RT/982+13.12	22'	20'	20'	20'		133		65			1	
EARTH	FE	LT/1001+08.52	12'	20'	68'	20'			5				1	
AGG	FE	RT/1002+39.03	12'	20'	68'	20'			36				1	
AGG	FE	RT/1013+70.97	15'	20'	105'	20'			66				1	
BIT	CE	RT/1021+73.10	35'	30'	5'	20'		179		20			1	1
CONC	PE	LT/1022+11.30	24'	20'	13'	30'					107		1	
AGG	CE	RT/1024+56.23	35'	30'	3'	30'							1	1
BIT	PE	LT/1034+14.52	24'	20'	20'	20'		119	160	4			1	1

ENTRANCE SCHEDULE

EXIST SURFACE	TYPE	SIDE/STATION	WIDTH		RADIUS	AGGREGATE BASE COURSE TYPE B			INCID. BIT. SURFACING, SUPERPAVE, NSO	P.C.C. DRIVEWAY PAV'T		BIT. CONCRETE SURFACE COURSE SUPERPAVE, MIX D, NTO	TEMPORARY ACCESS (PE)	TEMPORARY ACCESS (CE)
			L <sub>1</sub>	L <sub>2</sub>		TON	SO. YD.	TON		SO. YD.	TON			
BIT	MB	LT/50+16.00	24'	20'	7'	20'								
CONC	PE	LT/50+35.00	24'	15'	-	15'					91		1	
AGG	PE	RT/50+49.52	24'	15'	-	15'		18		9			1	
AGG	PE	RT/51+28.05	24'	15'	-	15'		18		9			1	
AGG	CE	LT/60+98.00	31'	25'	-	25'			112	13				1
BIT	MB	LT/62+26.08	35'	20'	5'	20'		4		2				1
CONC	CE	LT/62+50.19	35'	20'	5'	20'					117			1
AGG	FE	RT/66+35.00	16'	20'	36'	20'			78				1	
AGG	FE	LT/81+33.05	20'	10'	-	10'			9				1	
AGG	PE	RT/230+90.56	15'	10'	2.5'	10'		9		4			1	
BIT	MB	LT/241+07.92	35'	17'	-	17'		6		3				1
AGG	CE	LT/241+31.00	35'	17'	-	17'		80		9				1
AGG	CE	RT/241+31.00	35'	17'	-	17'		80		9				1
AGG	FE	RT/203+00.00	12'	19'	64'	20'			49				1	
AGG	FE	LT/211+87.45	35'	7'	-	-			7				1	
CONC	PE	LT/105+81.69	24'	10'	8'	10'					55			1
BIT	MB	LT/105+96.86	24'	10'	8'	10'								1
EARTH	FE	LT/184+07.92	16'	34'	-	20'/52'		6		3				1

PUBLIC ACCESS	STATION RANGE
IL RTE 32	49+90.00 - 56+03.00
RELOCATED 1700TH AVE	217+00.00 - 231+08.24
LAKE SARA RD	60+00.00 - 64+00.00
1000TH ST	65+00.00 - 70+21.01
STONERIDGE DR	70+00.00 - 71+00.00
1075TH ST	75+00.00 - 76+62.13
RELOCATED NAZARENE RD	79+50.00 - 84+87.47
WEBB ST	240+00.00 - 242+00.00
BRIARWOOD DR	90+00.00 - 92+50.00
LYNN ACRES DR	97+50.00 - 100+00.00
COUNTRY ESTATES RD	105+00.00 - 107+00.00
LEPRECHAUN LANE	110+00.00 - 112+37.28
IRISH HILL RD	120+00.00 - 122+64.46
WABASH RIVER HILLS RD	127+05.43 - 130+00.00
RELOCATED 1200TH ST	200+00.00 - 214+52.15
LAKE RD	150+00.00 - 153+00.00
RELOCATED WOOD BIRD DR	300+00.00 - 310+00.00
FORD AVE	178+79.12 - 189+43.16

① SEE STANDARD 406201 FOR DETAILS. SEE SECTION E-E FOR SIMILAR SECTION.  
② SEE PLAN AND PROFILE SHEET FOR DETAILS. NOTE: QUANTITY INCLUDES LANE.

REVISIONS	
NAME	DATE

ILLINOIS DEPARTMENT OF TRANSPORTATION  
RURAL ENTRANCE  
DETAILS & SCHEDULES  
SHEET 1 OF 2  
DATE 8/02  
DRAWN BY DIST 7  
CHECKED BY BWC

\*DGN-SPEC\*  
\*DATE\*