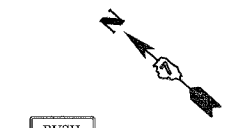
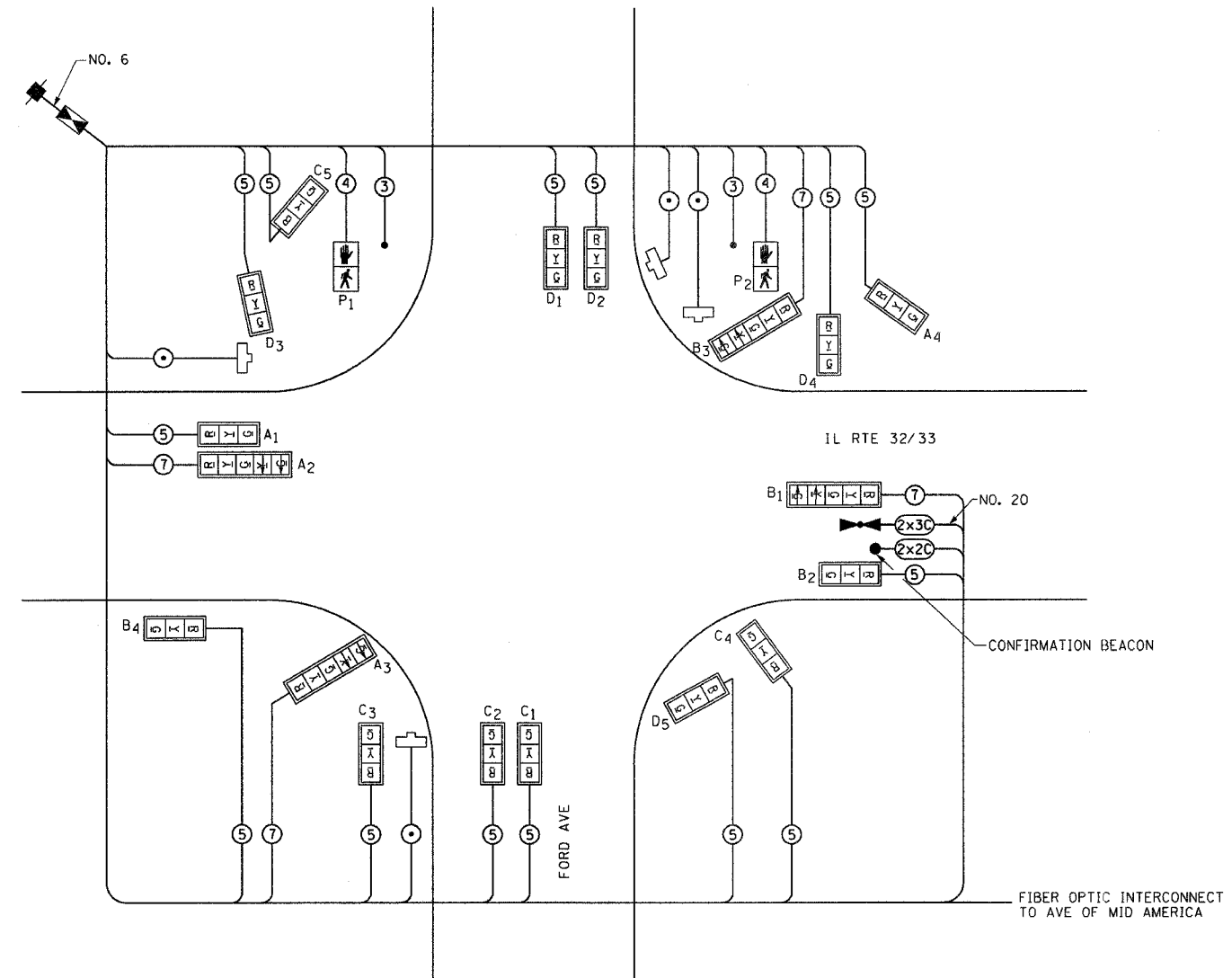


CONTRACT NO. 94827



THE CONTRACTOR SHALL SUPPLY AND MOUNT ONE SIGN WITH EACH ADA PEDESTRIAN PUSH-BUTTON. COST TO BE INCLUDED IN THE COST OF PEDESTRIAN PUSH-BUTTON PAY ITEM.

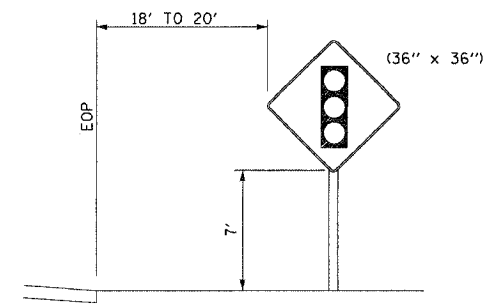


TRAFFIC SIGNAL SCHEMATIC

* PROVIDE CABLES AS REQUIRED BY VIDEO DETECTION SYSTEM. REFER TO SPECIAL PROVISIONS.

SUGGESTED TIMINGS

PHASE:	1	2	3
MIN. GRN.	5	33	8
ADD SEC./ACT.	1.0	1.0	1.0
MAX. INIT. GRN.	7	33	10
MAX GREEN	7	33	10
PASSAGE	-	-	-
T.B.R.	-	-	-
T.T.R.	-	-	-
MIN. GAP	-	-	-
AMBER CLEAR	2	2	2
RED CLEAR	2	2	2



**STOP LIGHT AHEAD SIGN
TYPE W3-3**
(1 REQUIRED)



S-1
(2 REQUIRED)

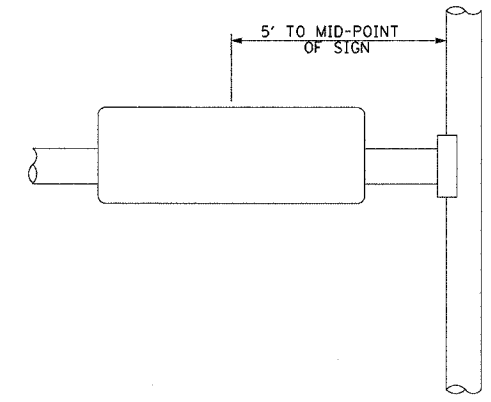


S-2
(2 REQUIRED)

STREET NAME SIGNS

NOTES:

- ALL SIGNS SHALL HAVE A WHITE REFLECTORIZED LEGEND AND BORDER ON A GREEN REFLECTORIZED BACKGROUND.
- LETTER SIZE 8D.



MOUNTING LOCATION

- LEGEND:**
- PROPOSED CONTROLLER AND CABINET
 - PROPOSED SERVICE INSTALLATION
 - PROPOSED ADA PED. PUSH-BUTTON DETECTOR
 - PROPOSED SIGNAL FACE WITH BACKPLATE
 - PROPOSED PED. SIGNAL WALK/DON'T WALK SYMBOLS
 - PROPOSED LIGHT DETECTOR
 - PROPOSED LIGHTING UNIT
 - PROPOSED ELECTRIC CABLE IN CONDUIT
ALL CABLE NO. 14 EXCEPT AS INDICATED
* DENOTES MIN. NUMBER OF CONDUCTORS
 - PROPOSED VIDEO CAMERA

REVISIONS	
NAME	DATE

ILLINOIS DEPARTMENT OF TRANSPORTATION

FORD AVENUE
TRAFFIC SIGNAL PLANS
SHEET 2 OF 4

DATE 8/02

DRAWN BY MLO
CHECKED BY BWD