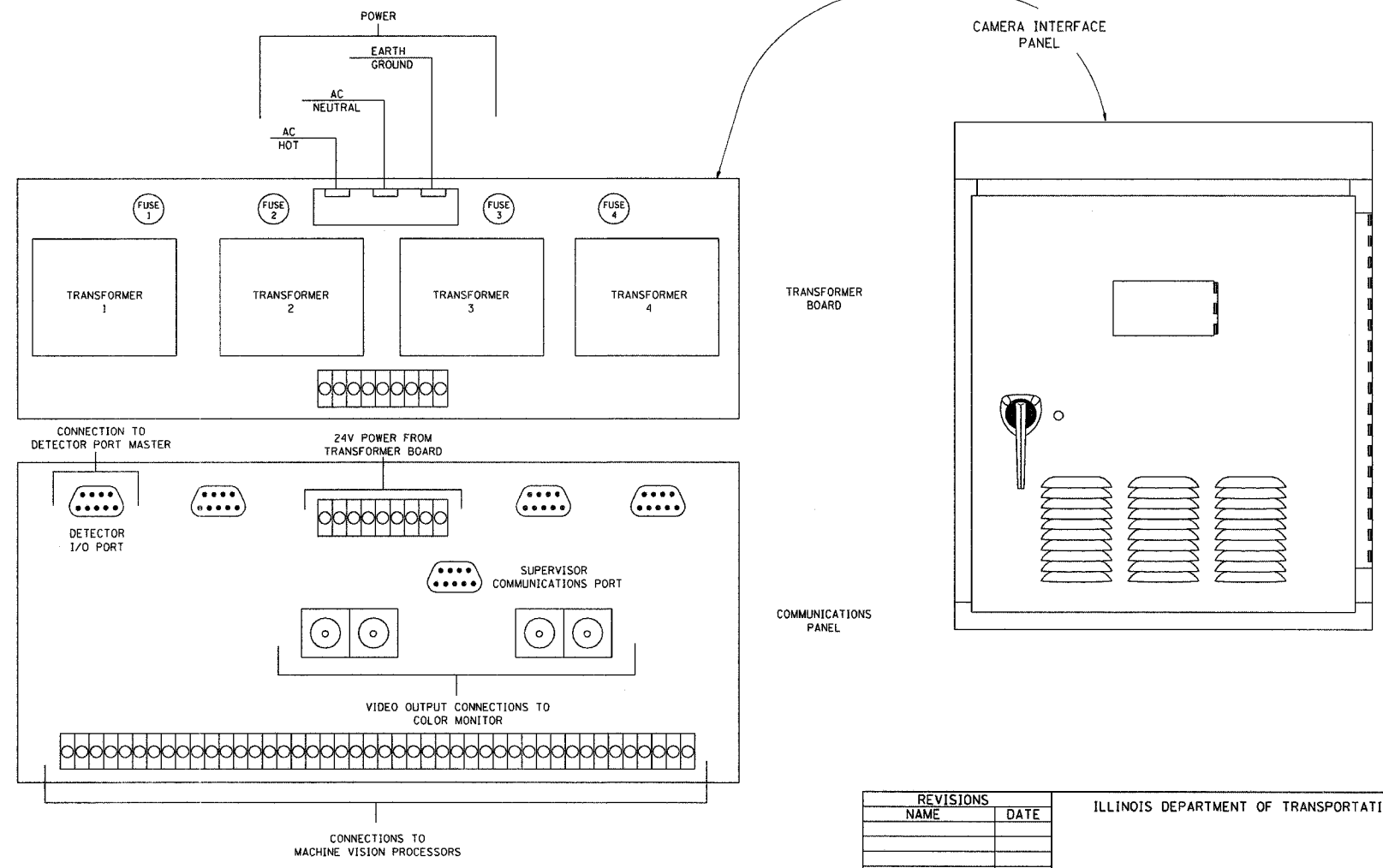
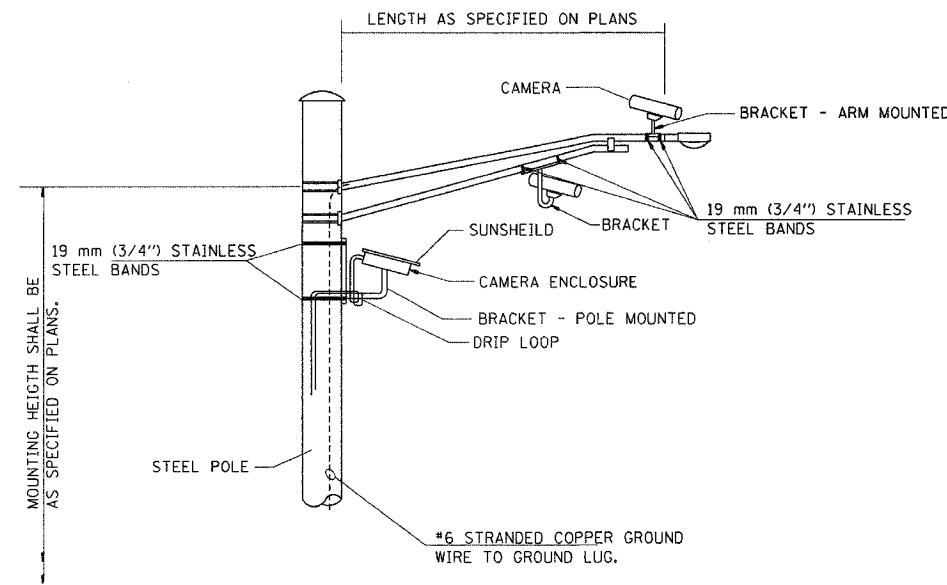


VIDEO DETECTION SYSTEM INSTALLATION
ARM MOUNTED OR POLE MOUNTED CAMERA



REVISIONS	
NAME	DATE

ILLINOIS DEPARTMENT OF TRANSPORTATION

VIDEO DETECTION SYSTEM DETAIL

DATE 2/03

DRAWN BY DIST. 7

CHECKED BY BWC