

130 120 110 100 90 80 70 60 50 40 30 20 10 0 10 20 30 40 50 60 70 80 90 100 110 120 130

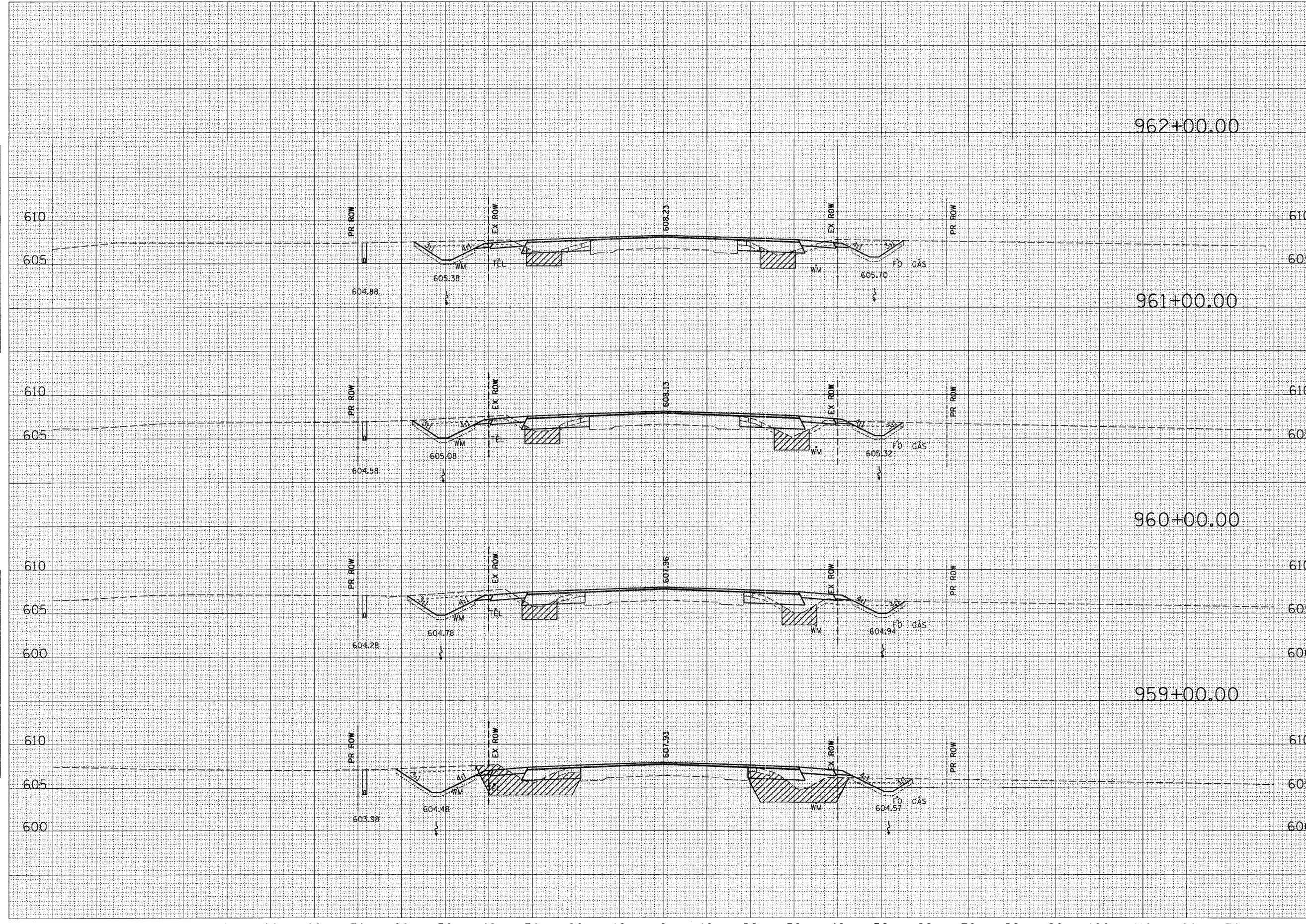
F.A.P. RTE.	SECTION	COUNTY	TOTAL SHEETS	SHEET NO.
774	*	EFFINGHAM	344	171
STA. 959+00.00 TO STA. 962+00.00				
FED. ROAD DIST. NO. 7 ILLINOIS FED. AID PROJECT				
*107WRS-1, 107BY, 107BY-1 & 107B-2				
CONTRACT NO. 94827				
STAGE II (L.T.)			STAGE I (R.T.)	

DATE	BY

FINAL SURVEY
SURVEYED
NOTE BOOK
NO. _____

DATE	BY

ORIGINAL SURVEY
SURVEYED
NOTE BOOK
NO. _____



STATION	UNSUITS	CUTS	FILLS	TS_EXC	TS_PLMT	ACC
962+00.00	UNSUITS=15	CUT=26	FILL=13	TS_EXC=14	TS_PLMT=7	
961+00.00	UNSUITS=16	CUT=28	FILL=14	TS_EXC=14	TS_PLMT=7	
960+00.00	UNSUITS=14	CUT=35	FILL=16	TS_EXC=14	TS_PLMT=8	
959+00.00	UNSUITS=56	CUT=43	FILL=0	TS_EXC=9	TS_PLMT=9	ACC=60

