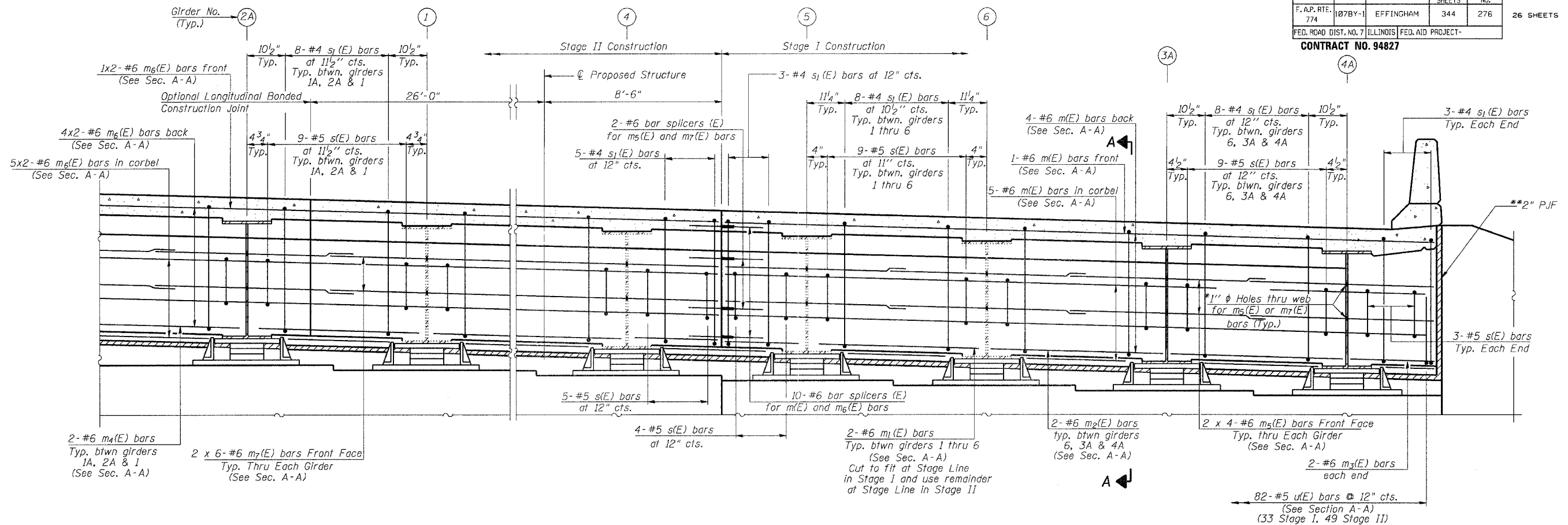


ROUTE NO.	SECTION	COUNTY	TOTAL SHEETS	SHEET NO.	SHEET NO. 10 26 SHEETS
F.A.P. RTE. 774	107BY-1	EFFINGHAM	344	276	
FED. ROAD DIST. NO. 7	ILLINOIS FED. AID PROJECT-				
CONTRACT NO. 94827					



DIAPHRAGM ELEVATION AT E. ABUTMENT
Looking East

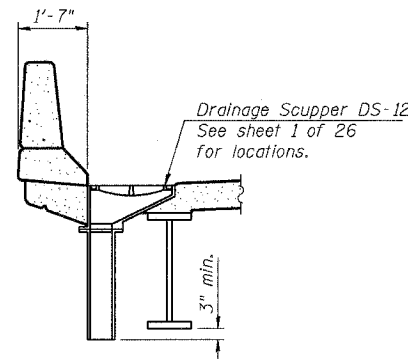
*Field drill 1" ϕ holes for $m_5(E)$ or $m_7(E)$ bars in existing girders. Cost of field drilling included with Concrete Superstructure.

NOTES

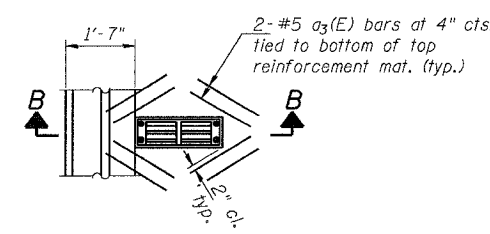
Reinforcement bars in diaphragm and around scuppers are billed with superstructure on sheet 9 of 26.
Concrete in end diaphragm is included with Concrete Superstructure on sheet 9 of 26.
For details of bars $s(E)$, $s(E)$ & $u(E)$ see sheet 9 of 26.
For anchor bolt details see sheet 15 of 26.
Reinforcement bars designated (E) shall be epoxy coated.
Bars indicated thus 1 X 2-#5 etc. indicates 1 line of bars with 2 lengths per line.
See Sheet 24 of 26 for Bar Splicer details.
See Section thru Abutment on Sheet 2 Of 26 for back of abutment treatment.

MIN. BAR LAP

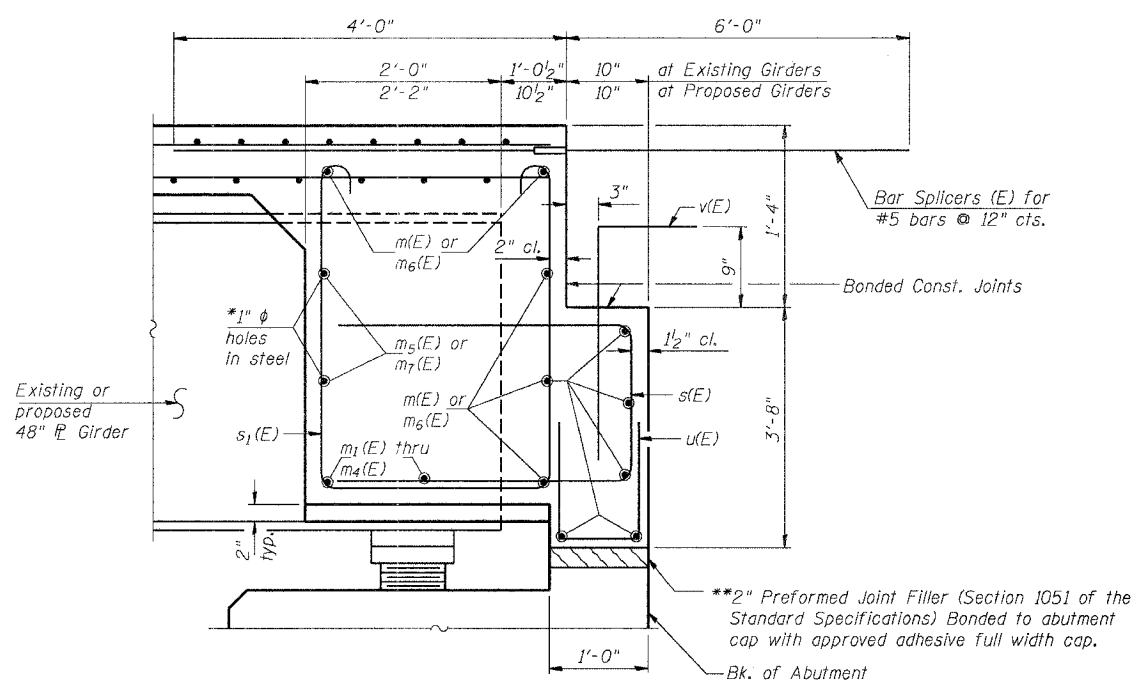
#6 bar = 2'-9"



SECTION B-B



PLAN AT SCUPPER



SECTION A-A
(Diaphragms not shown)

** Cost included with Concrete Superstructure.

SHEET TITLE DIAPHRAGM AND DRAINAGE SCUPPER DETAILS		PROJECT NO. 02017
PROJECT IL RTE. 32/33 OVER LITTLE WABASH RIVER OVERFLOW F.A.P. RTE. 774 SECTION 107BY-1 EFFINGHAM COUNTY STATION 1018+86.92 STRUCTURE NO. 025-0077	DATE	DRAWN BY TFG
ENGINEERS / LAND SURVEYORS COOMBE-BLOXDORF P.C. Springfield, Illinois Design Firm License No. 184-002703	CHECKED BY KPS/CME/MCB	DRAWING NO. 10
		OF 26 SHTS

11/21/10 PLANS/ENGINEER-10.dwg 07/26/07 08:57:58 AM