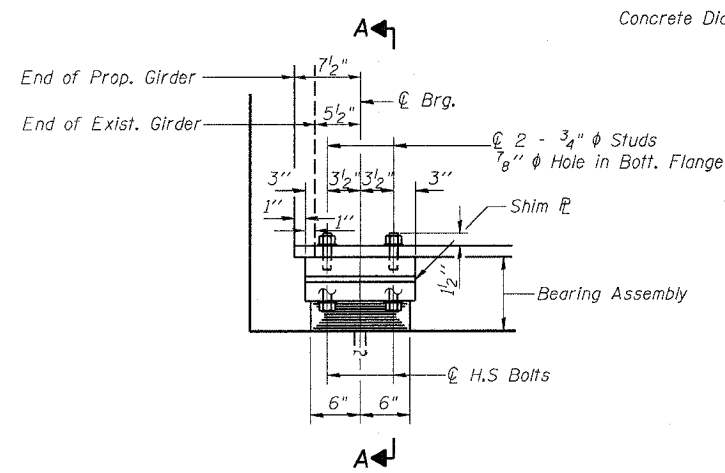
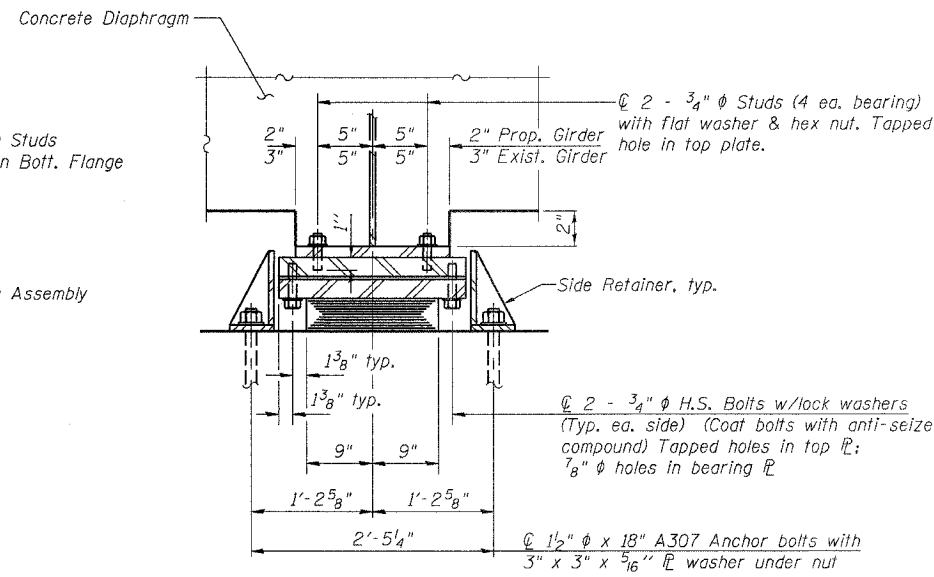


ROUTE NO.	SECTION	COUNTY	TOTAL SHEETS	SHEET NO.	SHEET NO. 14 26 SHEETS
F.A.P. RTE. 774	107BY-1	EFFINGHAM	344	200	
FED. ROAD DIST. NO. 7 ILLINOIS FED. AID PROJECT-					

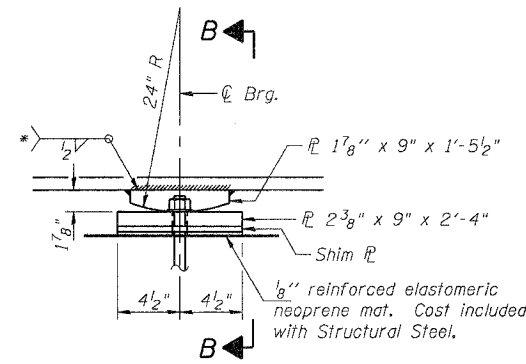
CONTRACT NO. 94827



ELEVATION AT ABUT.

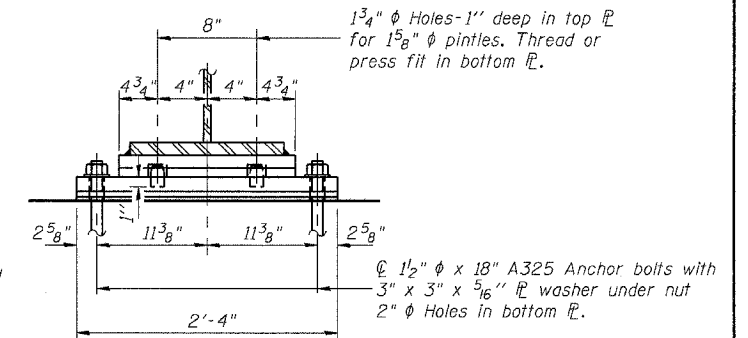


SECTION A-A



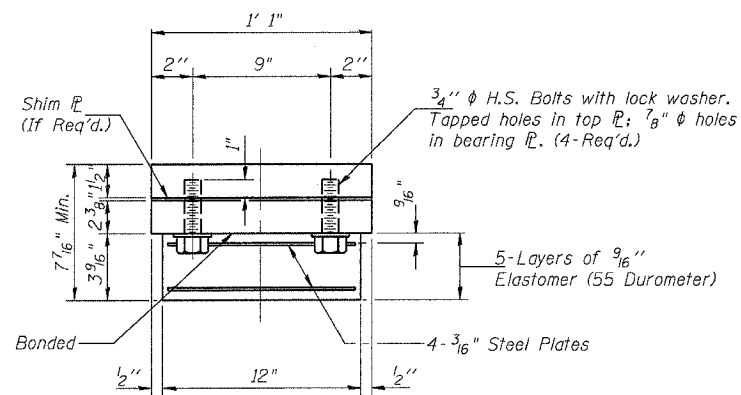
ELEVATION AT PIER

FIXED BEARING



SECTION B-B

TYPE I ELASTOMERIC EXP. BRG.

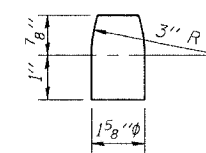


BEARING ASSEMBLY

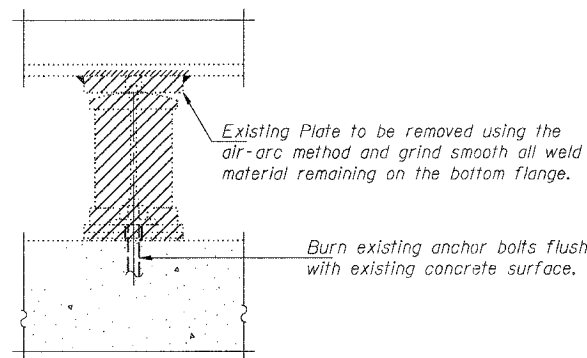
Note: Shim plates shall not be placed under Bearing Assembly.

NOTES

Anchor bolts at fixed bearings for new girders may be built into the masonry. See sheet 15 of 26 for Anchor Bolt installation. 7/8 inch diameter holes in bottom flange for 3/4 inch diameter studs will be drilled in the field for existing girders. Cost included with Jacking and Cribbing. The structural steel bearing plates of the elastomeric bearing assembly shall conform to the requirements of AASHTO M270, Grade 50.



PINTLE



EXISTING BEARING REMOVAL DETAIL

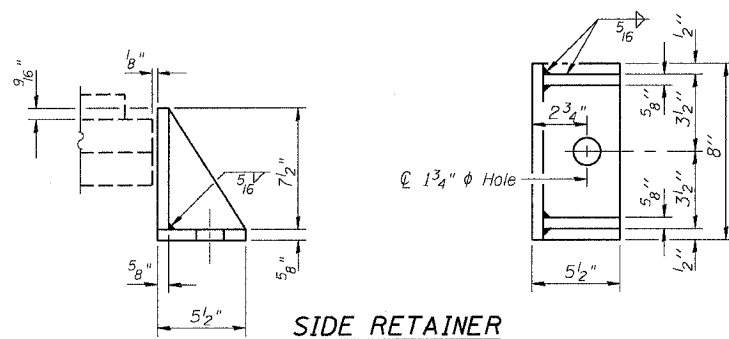
Cost of existing bearing removal and disposal is included with Jacking and Cribbing. Total number to be removed = 18

JACKING AND CRIBBING PROCEDURE

- The Contractor shall submit for approval by the Engineer, plans for jacking and cribbing prior to commencing any work at the bearings. See Special Provision for Jacking and Cribbing. Dead Load = 11 k per girder at each abutment and 42 k per girder at pier. Use 15 ton min jack capacity at abutments and 45 ton min jack capacity at the pier.
- Jacking and Cribbing shall be done after the existing concrete deck is removed.
- The existing structural steel shall be raised according to the Special Provision for Jacking and Cribbing and to a height sufficient to form, pour and cure the concrete bearing seats, remove the existing bearings and install the new bearings.
- Once the new bearings are in place the existing steel can be lowered into place and connected to the bearings.
- After the existing and proposed girders are sitting on and connected to the new bearings and the proposed diaphragms are in place, forming for the new deck pour can begin.

BILL OF MATERIAL

Item	Unit	Total
Elastomeric Bearing Assembly Type I	Each	20
Jacking and Cribbing	L. Sum	1



SIDE RETAINER

Equivalent rolled angle with stiffeners will be allowed in lieu of welded plates. Weight included with Structural Steel.

SHEET TITLE		PROJECT NO.	
BEARING DETAILS		02017	
PROJECT		SCALE	
IL RTE. 32/33 OVER			
LITTLE WABASH RIVER OVERFLOW		DATE	
F.A.P. RTE. 774 SECTION 107BY-1		DRAWN BY	
EFFINGHAM COUNTY		TFG	
STATION 1018+86.92		CHECKED BY	
STRUCTURE NO. 025-0077		KPS/CME/MCB	
DRAWING NO.			
COOMBE-BLOXDORF P.C.		14	
Engineers / Land Surveyors		OF 26 SHTS	
Springfield, Illinois			
Design Firm License No. 184-002703			