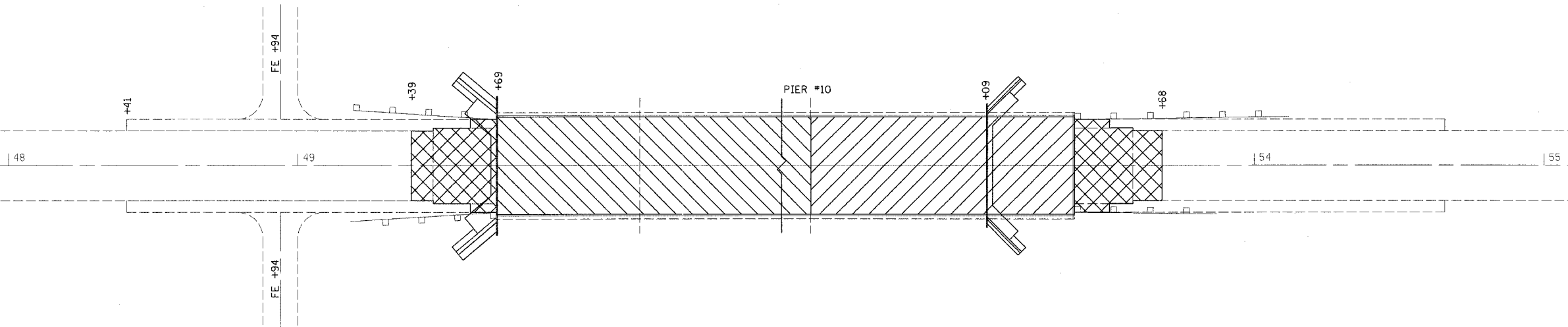


teasleyck
 teasleyck*+_DATE_
 c:\projects\94941d\00902pa.dgn
 BAD

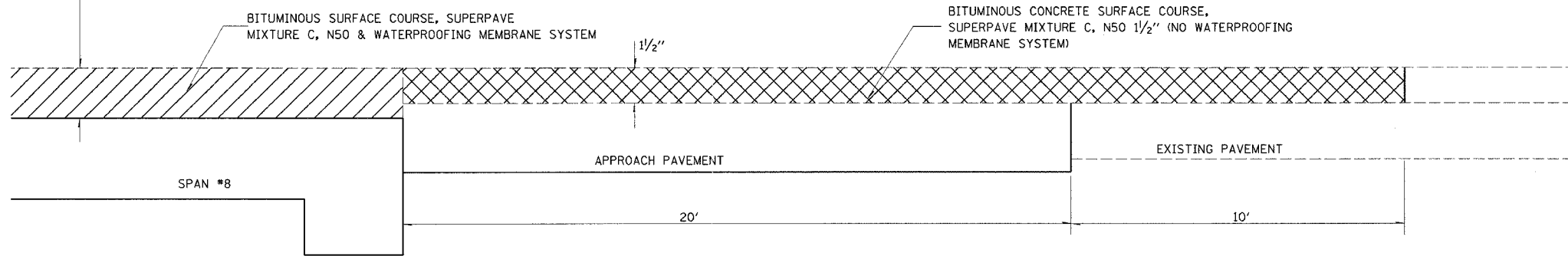


FAP RTE.	SECTION	COUNTY	TOTAL SHEETS	SHEET NO.
752	(106-22)TS	FAYETTE		5
FED. ROAD DIST. NO. 1	ILLINOIS	FED. AID PROJECT NO.		

CONTRACT NO. 94941



1 3/4" MIN AT MIDSPAN ON SPAN #1, #2, #3, #5, #6
 2 1/4" MIN AT MIDSPAN ON SPAN #4
 2 3/8" AT SPAN #7 & #8



- BITUMINOUS CONCRETE SURFACE REMOVAL
- BITUMINOUS CONCRETE REMOVAL (DECK)
- BITUMINOUS SURFACE REMOVAL 1 1/2"

REVISIONS	
NAME	DATE

ILLINOIS DEPARTMENT OF TRANSPORTATION

**BRIDGE APPROACH
 DETAIL**

SCALE: VERT.
 HORIZ.
 DATE

DRAWN BY
 CHECKED BY