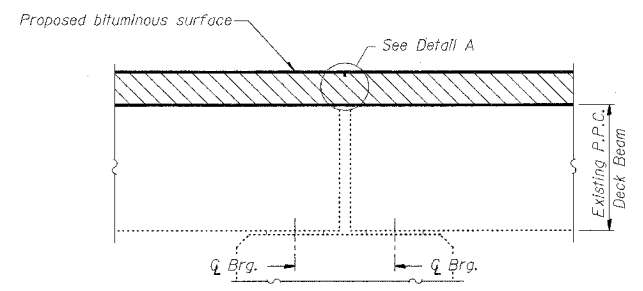


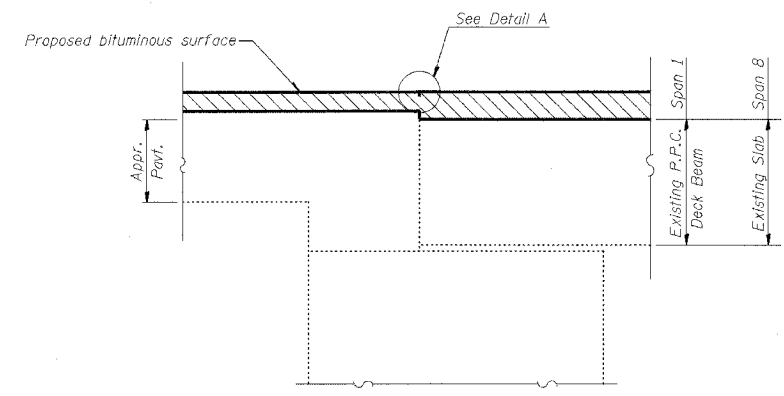
teesleyck  
 12/17/2004  
 c:\projects\94941d\000902pa.dgn  
 JD

FAP No.	SECTION	COUNTY	TOTAL SHEETS	SHEET NO.
752	(106-22)TS	FAYETTE		13
FED. ROAD DIST. NO. 7		SLIPDIP	FED. AID PROJECT NO.	

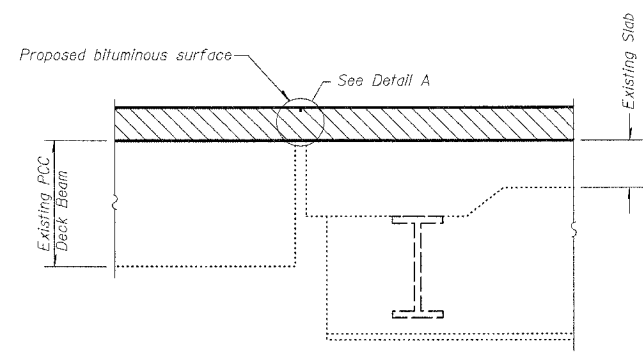
CONTRACT NO. 94941



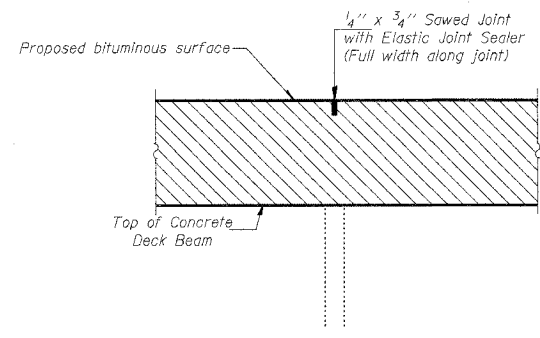
**SECTION AT BENTS 2, 3, 5 & 6**



**SECTION AT WEST ABUTMENT, BENT 1 & E. APPROACH BENT**



**SECTION AT PIER #10**



**DETAIL A**

REVISIONS	
NAME	DATE

ILLINOIS DEPARTMENT OF TRANSPORTATION  
**WEST ABUTMENT,  
 EAST APPROACH BENT,  
 PIER #10 & BENTS 2, 3, 5 & 6  
 JOINT DETAILS**  
 SCALE: VERT.      DRAWN BY  
       HORIZ.        CHECKED BY  
 DATE