

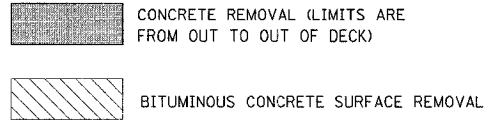
teasleyck
 teasleyck+_.DATE_
 c:\projects\94941\d00902pa.dgn
 EJD B4

FAP RTE.	SECTION	COUNTY	TOTAL SHEETS	SHEET NO.
752	(106-22)TS	FAYETTE		14
FED. ROAD DIST. NO. 7		ILLINOIS	FED. AID PROJECT NO.	

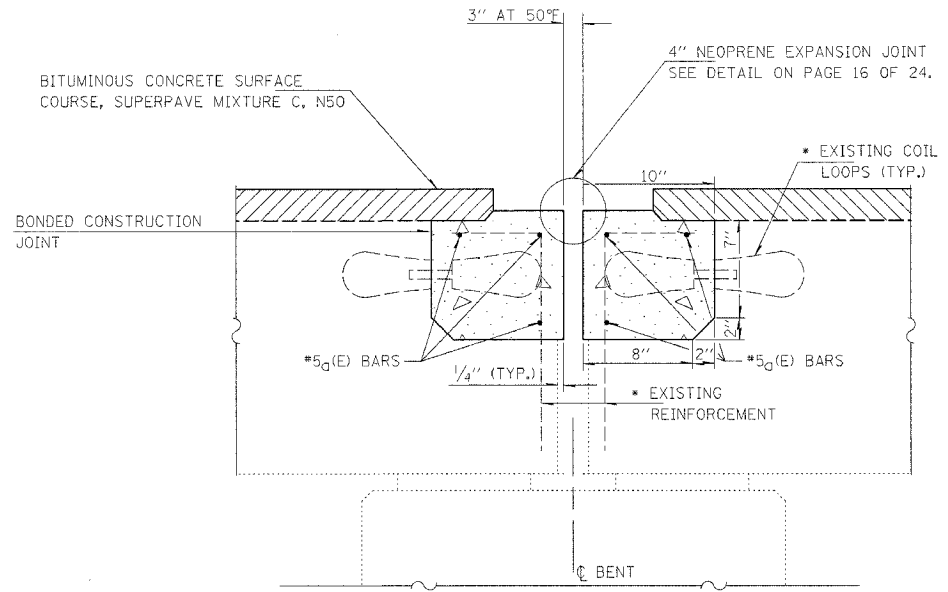
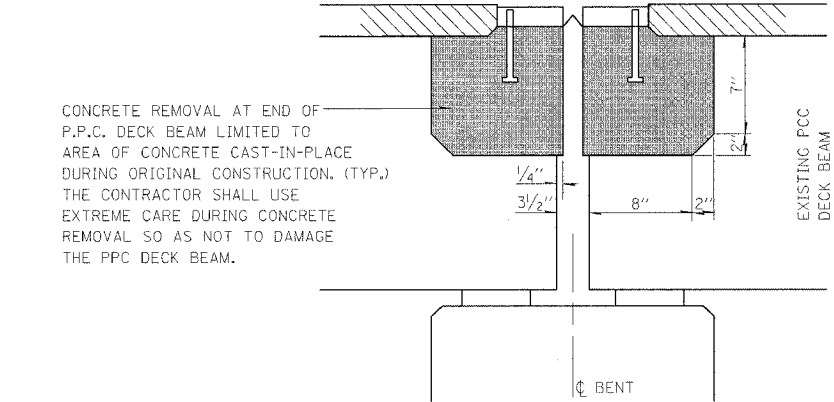
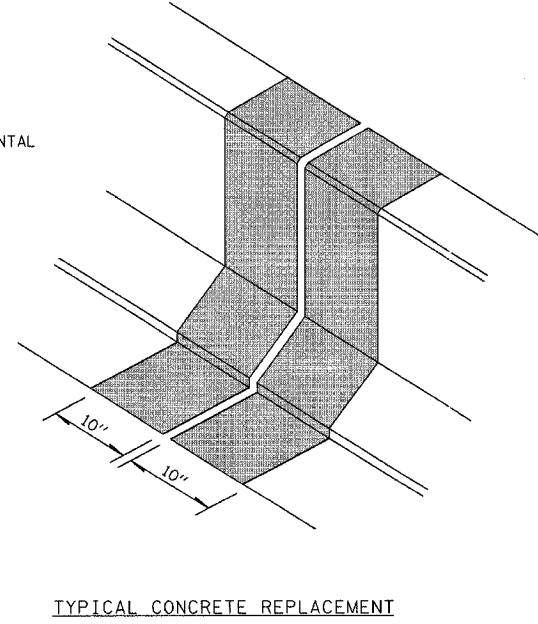
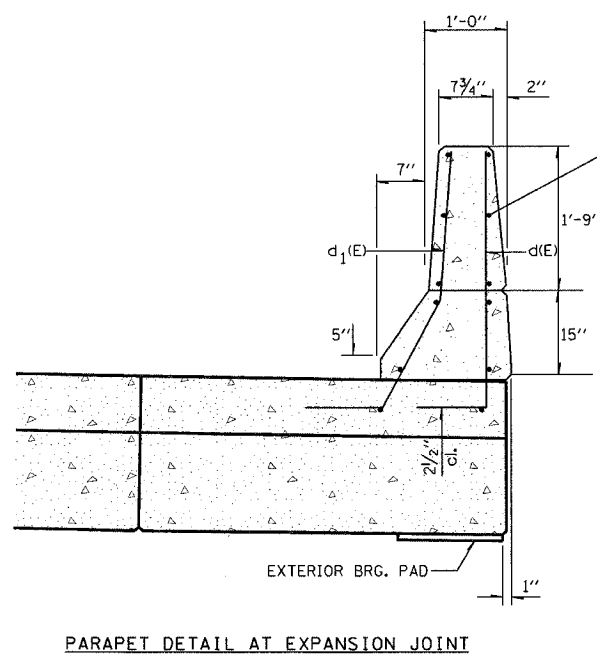
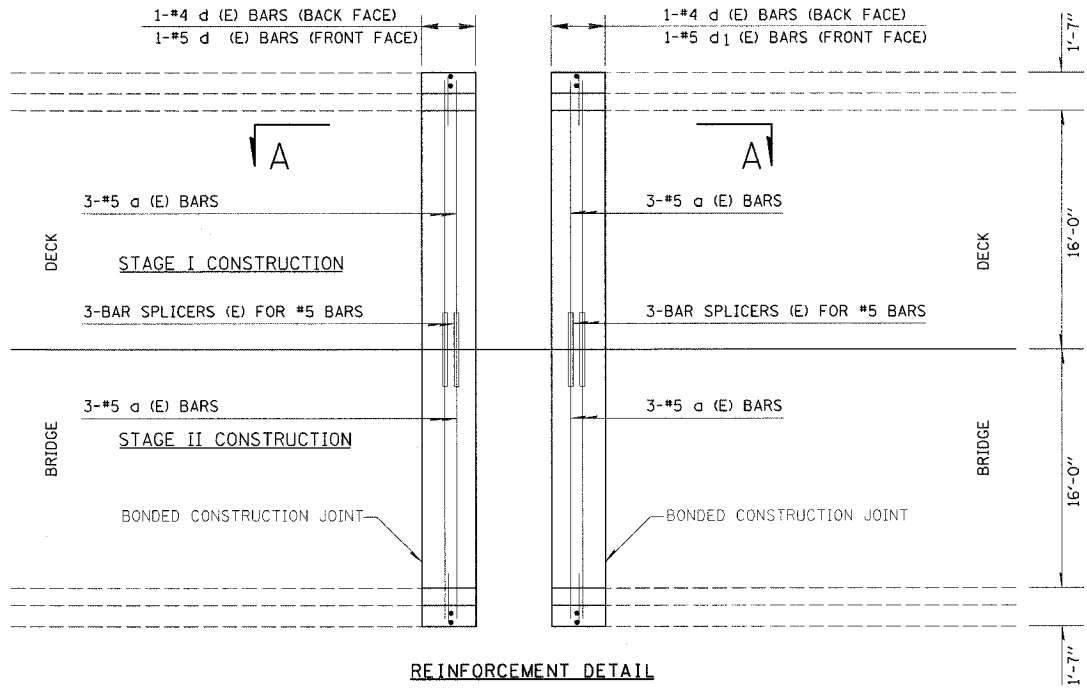
CONTRACT NO. 94941

BAR LIST - BENT 4

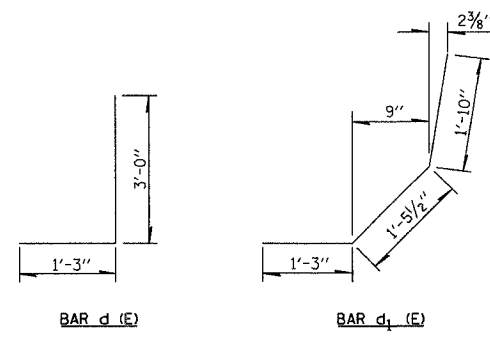
BAR SUMMARY	NUMBER OF BARS	TOTAL	SIZE	LENGTH	SHAPE
a(E)	6	6	#5	17' - 3"	—
d(E)	2	2	#4	4' - 3"	J
d1(E)	2	4	#5	4' - 6.5"	J
REINFORCEMENT BARS (EPOXY COATED)				250 LBS.	



REINFORCEMENT BARS DESIGNATED (E) SHALL BE EPOXY COATED



NOTE: EXISTING REINFORCEMENT BARS AND COIL LOOPS SHOWN ARE TO BE CLEANED, STRAIGHTENED AND INCORPORATED INTO NEW CONSTRUCTION.



REVISIONS	
NAME	DATE

ILLINOIS DEPARTMENT OF TRANSPORTATION

**EXPANSION JOINT DETAILS
BENT 4**

SCALE: VERT. DATE
 HORIZ. DATE

DRAWN BY
CHECKED BY