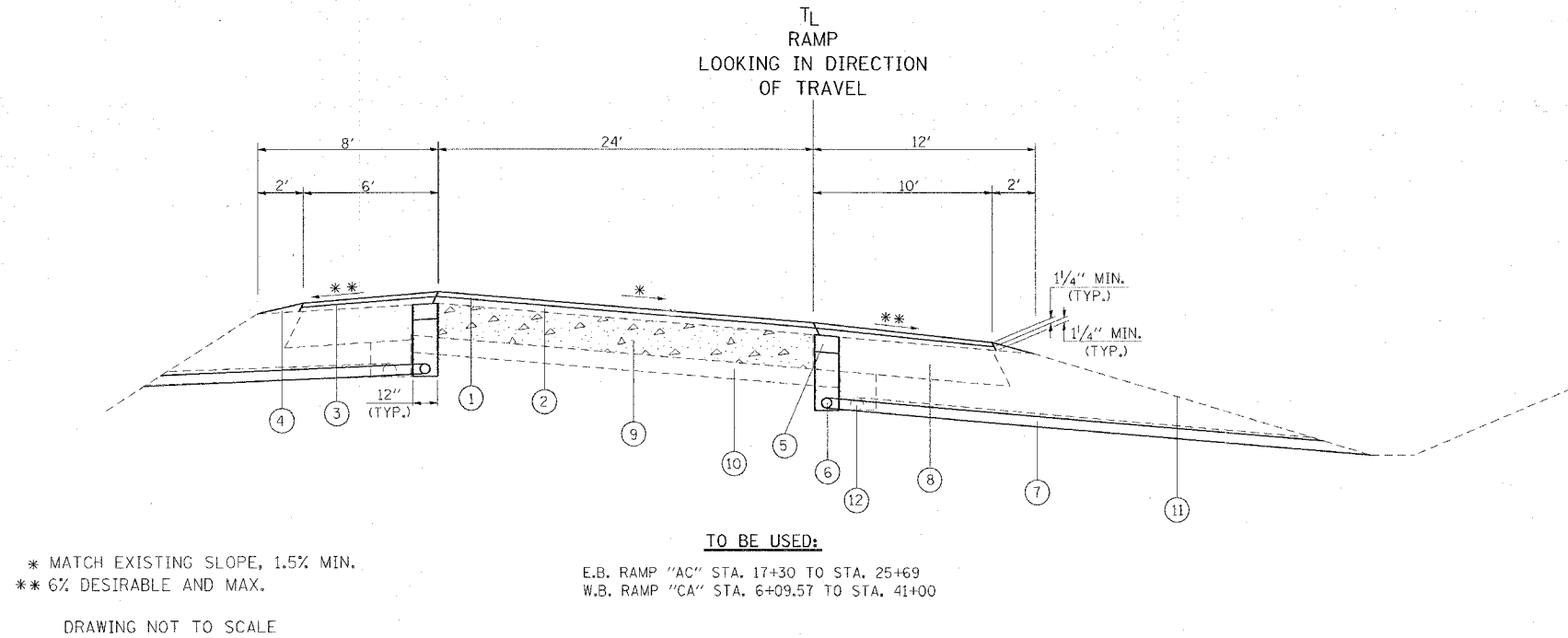
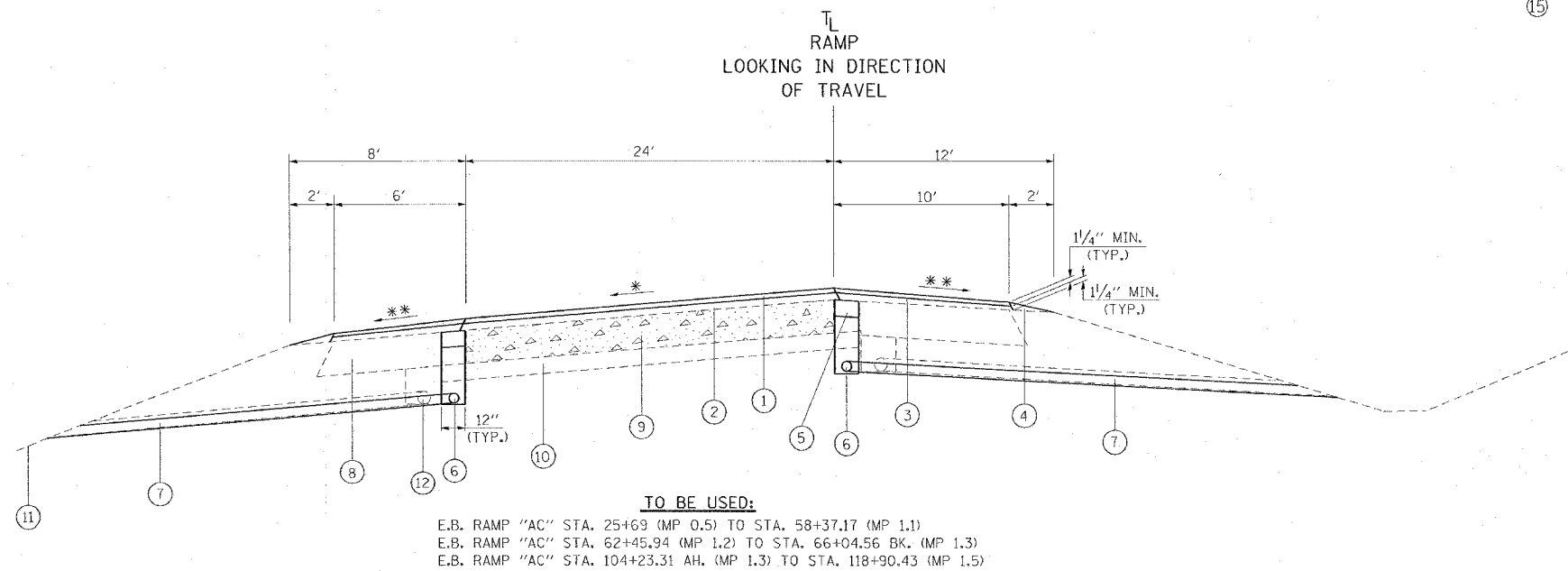


TYPICAL SECTIONS

F. A. I. REL.	SECTION	COUNTY	TOTAL SHEETS	SHEET NO.
24	*	**	189	7
STA. TO STA.				
FED. ROAD DIST. NO.		DISTRICT	FED. AID PROJECT	
* X1-2,44(2,3,4)RS,BSMARTFY04-4				
** WILLIAMSON/JOHNSON				
CONTRACT NO. 98758				



- ① PROP. POLY. BIT. CONC. SURF. CSE., SUPERPAVE, MIX. D, N105, 1 1/2"
- ② PROP. POLY. BIT. CONC. BINDER CSE., SUPERPAVE, IL 19.0, N105, 2 1/4"
- ③ PROP. BITUMINOUS SHOULDERS, SUPERPAVE (CONSTRUCT IN TWO LIFTS)
- ④ PROP. AGGREGATE SHOULDERS, TYPE B (WEDGE)
- ⑤ PROP. SHOULDER REMOVAL AND REPLACEMENT, 8"
- ⑥ PROP. PIPE UNDERDRAINS 4"
- ⑦ PROP. PIPE UNDERDRAINS 4" (SPECIAL)
- ⑧ EXIST. BITUMINOUS SHOULDERS
- ⑨ EXIST. 8" C.R.C. PAVEMENT
- ⑩ EXIST. 4" STABILIZED SUB-BASE (BITUMINOUS AGGREGATE MIXTURE)
- ⑪ EXIST. GROUNDLINE
- ⑫ EXIST. 6" PIPE UNDERDRAINS
- ⑬ EXIST. GRANULAR SUB-BASE, TYPE A
- ⑭ EXIST. AGGREGATE SHOULDER, TYPE A
- ⑮ EXIST. 8" P.C.C. PAVEMENT



- * MATCH EXISTING SLOPE, 1.5% MIN.
 - ** 6% DESIRABLE AND MAX.
- DRAWING NOT TO SCALE