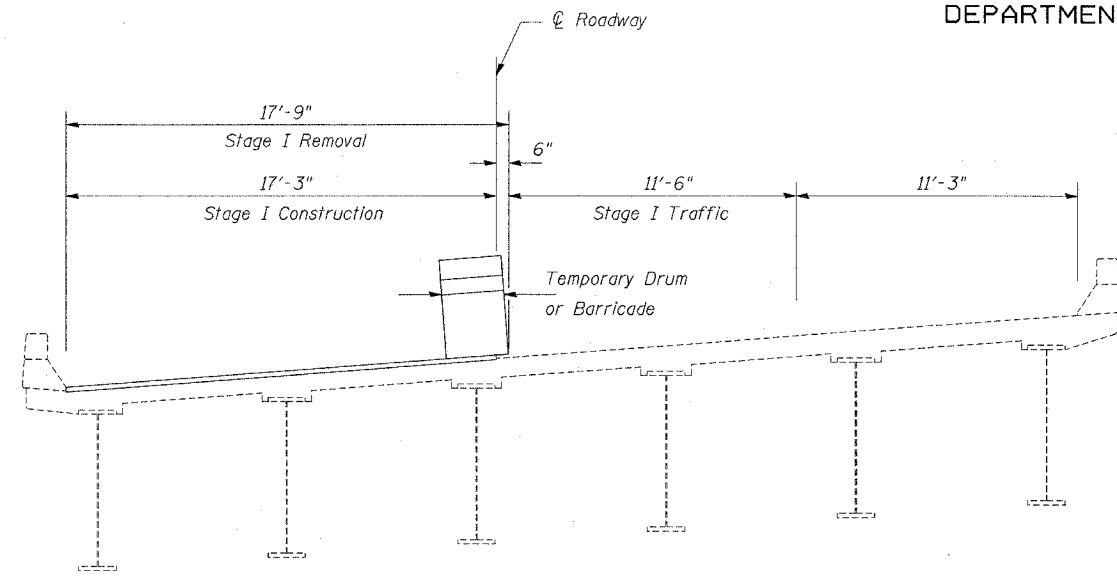


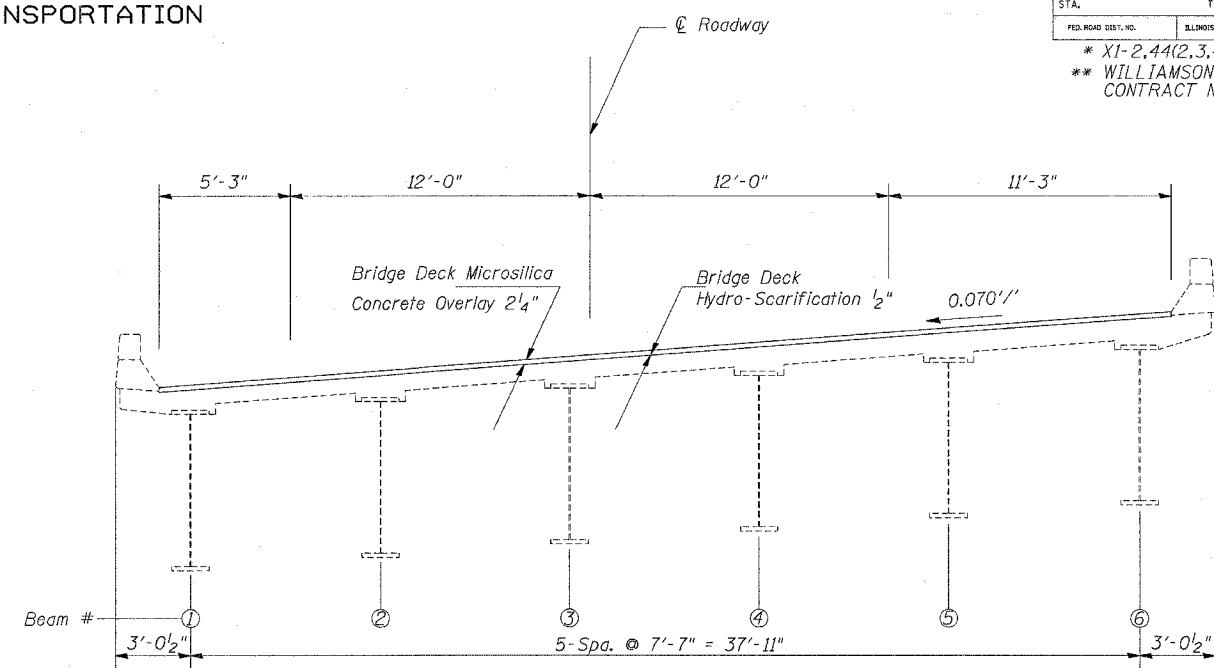
STATE OF ILLINOIS  
DEPARTMENT OF TRANSPORTATION

SHEET 3 OF 6

F.A.L. DIST. NO.	SECTION	COUNTY	TOTAL SHEETS	SHEET NO.
24	*	**	189	139
STA. TO STA.		FED. AID PROJECT		
* XI-2.44(2.3.4)RS,BSMARTFY04-4				
** WILLIAMSON/JOHNSON				
CONTRACT NO. 98758				



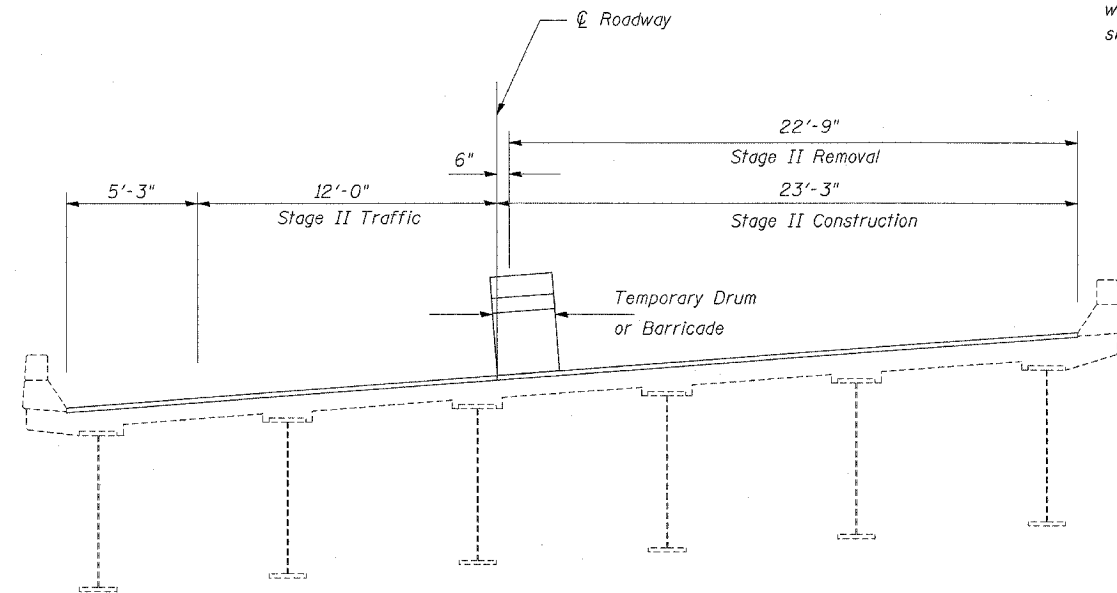
**STAGE I**



**TYPICAL CROSS SECTION**

Notes: Cross sections are looking in direction of traffic

The temporary drums or barricades shall be located as shown on this sheet except when workers are present, when then they may be temporarily moved over 2'-0" shifting traffic onto the existing bituminous shoulders.



**STAGE II**

DESIGNED	T. Wayne Halstead
CHECKED	MAS
DRAWN	Jeff Hines
CHECKED	TWH MAS

**STAGE CONSTRUCTION  
DETAILS  
WILLIAMSON COUNTY  
SN 100-0060**