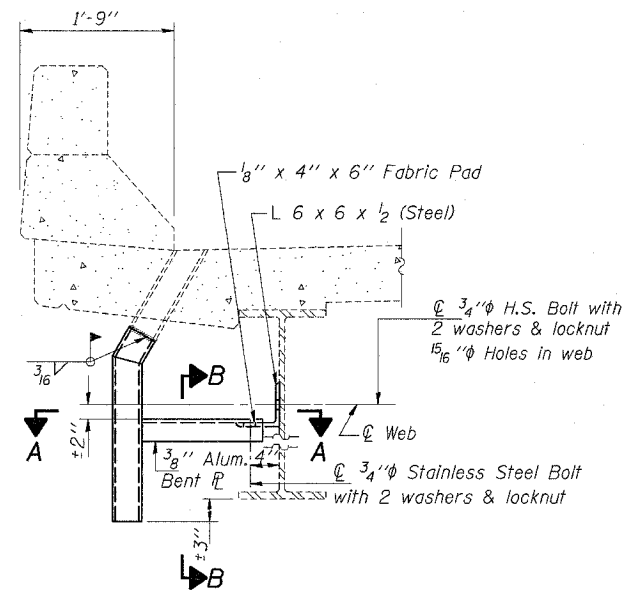


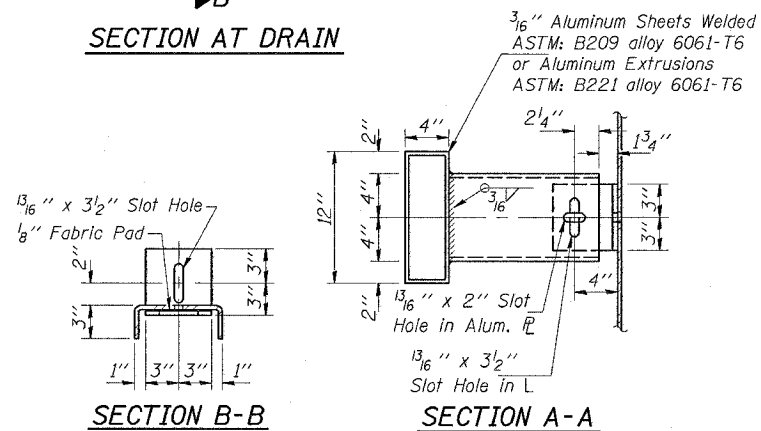
STATE OF ILLINOIS
DEPARTMENT OF TRANSPORTATION

SHEET 5 OF 6

P.A.C. DIST. NO.	SECTION	COUNTY	TOTAL SHEETS	SHEET NO.
24	*	**	189	141
STA.		TO STA.		
FED. ROAD DIST. NO.		ILLINOIS		FED. AID PROJECT
* X1-2.44(2,3,4)RS,BSMARTFY04-4				
** WILLIAMSON/JOHNSON CONTRACT NO. 98758				

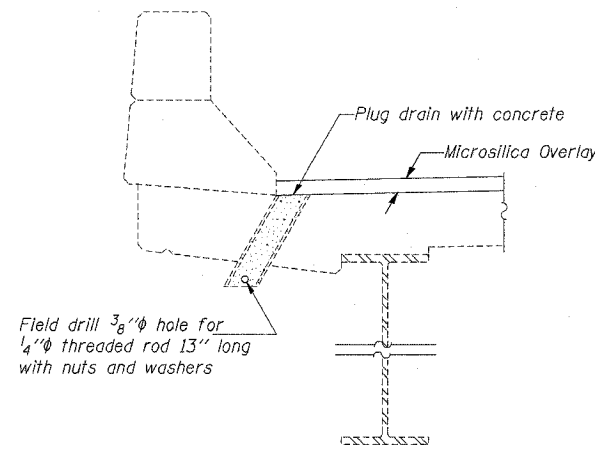


SECTION AT DRAIN



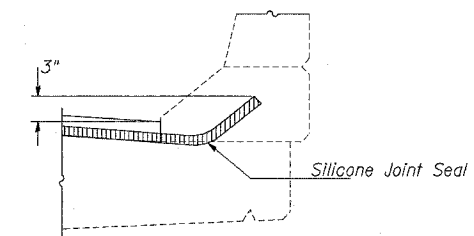
DRAIN EXTENSION DETAIL

(4 locations)

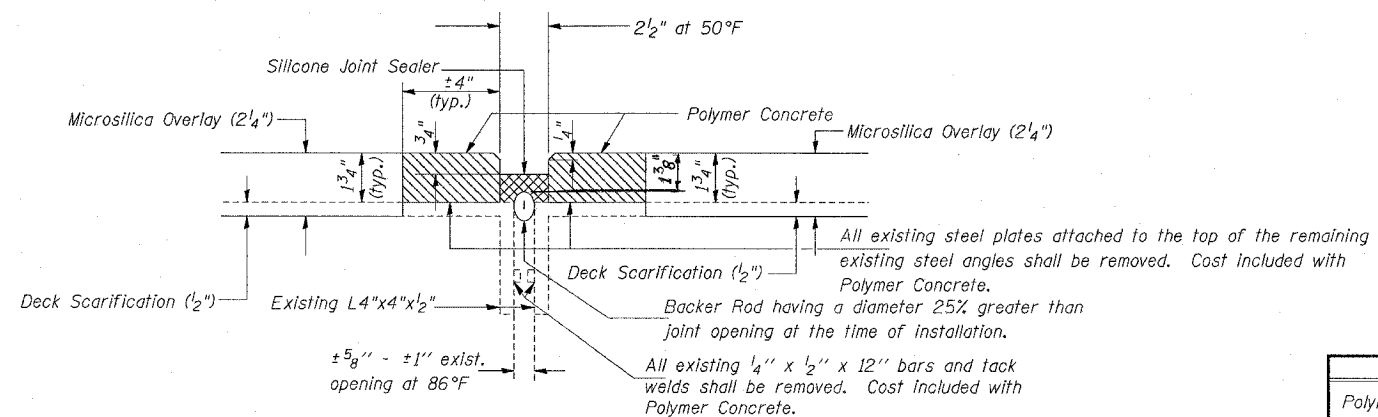


DRAIN ELIMINATION DETAIL

(8 Locations)



TYPICAL END OF SEAL TREATMENT AT EXPANSION JOINT



JOINT TREATMENT AT ABUTMENTS

BILL OF MATERIAL

Item	Unit	Total
Polymer Concrete	Cu. Ft.	11.9
Silicone Joint Sealer 2 1/2"	Ft.	27

DESIGNED	T. Wayne Halstead
CHECKED	MAS
DRAWN	T. Wayne Halstead
CHECKED	TWH MAS

JOINT AND DRAIN
DETAILS
WILLIAMSON COUNTY
SN 100-0060