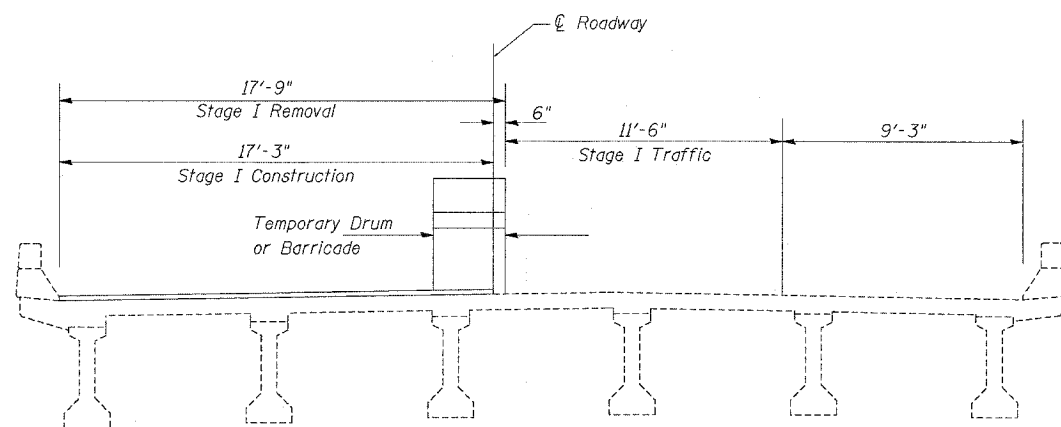


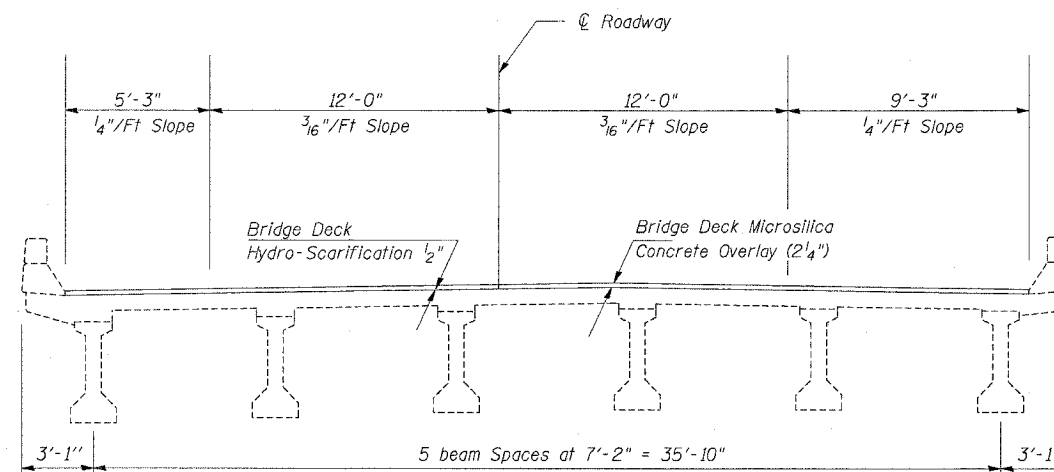
STATE OF ILLINOIS
DEPARTMENT OF TRANSPORTATION

SHEET 3 OF 6

F.A.D. DIST. NO.	SECTION	COUNTY	TOTAL SHEETS	SHEET NO.
24	*	**	189	145
STA. TO STA.		FED. AID PROJECT		
* X1-2,44(2,3,4)RS,BSMARTFY04-4		** WILLIAMSON/JOHNSON CONTRACT NO. 98758		

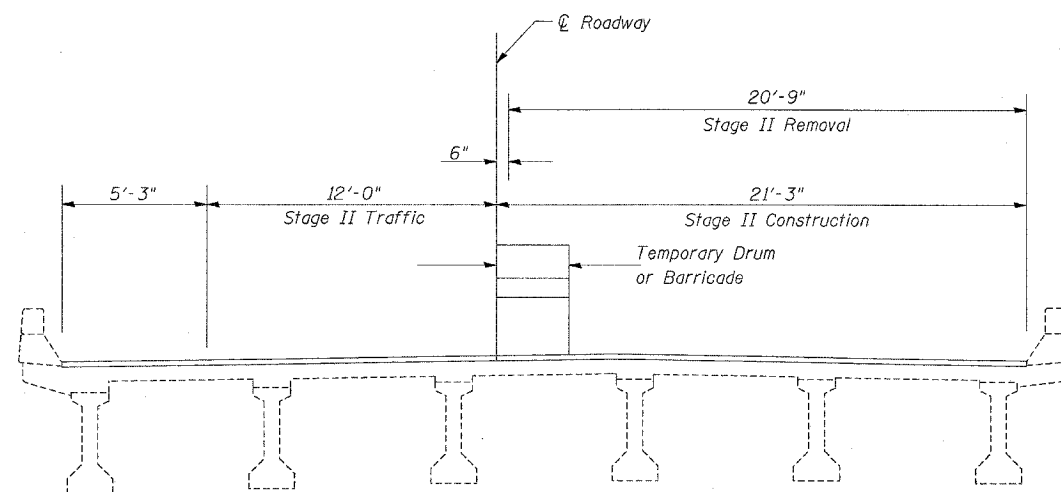


STAGE I



TYPICAL CROSS SECTION

(Proposed cross slope matches the existing normal crown)



STAGE II

Notes: Cross sections are looking in direction of traffic.

The temporary drums or barricades shall be located as shown on this sheet except when workers are present, when they may be temporarily moved over 2'-0" shifting traffic onto the existing bituminous shoulders.

DESIGNED	TWH MAS
CHECKED	MAS
DRAWN	TWH TEB
CHECKED	MAS

STAGE CONSTRUCTION DETAILS
JOHNSON COUNTY
SN 044-0037 (EB)