

STATE OF ILLINOIS  
DEPARTMENT OF TRANSPORTATION

ROUTE NO.	SECTION	COUNTY	SECTION SHEETS	SHEET NO.
		JOHNSON		1
FED. ROAD DIST. NO. 7	ILLINOIS	FED. AID PROJECT-	148C	2 SHEETS

CONTRACT NO. 98758

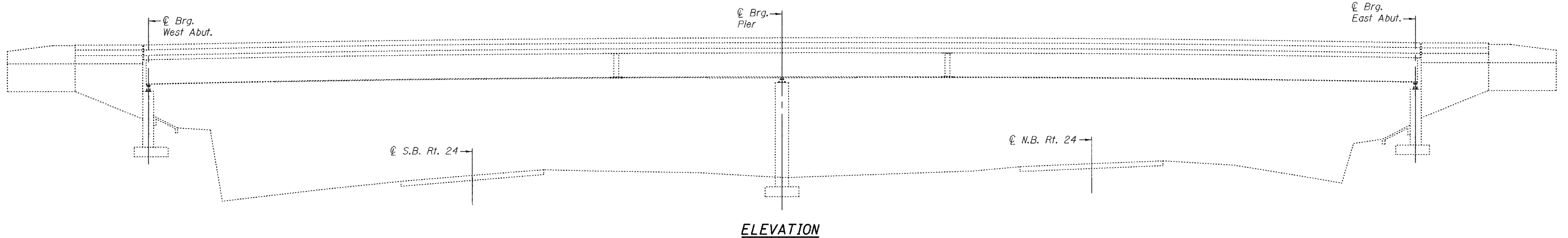
**GENERAL NOTES**

Plan dimensions and details relative to existing structure have been taken from existing plans and are subject to nominal construction variations. It shall be the Contractor's responsibility to verify such dimensions and details in the field and make necessary approved adjustments prior to construction or ordering of materials. Such variations shall not be cause for additional compensation for a change in the scope of the work, however, the Contractor will be paid for the quantity actually furnished at the unit price bid for the work.

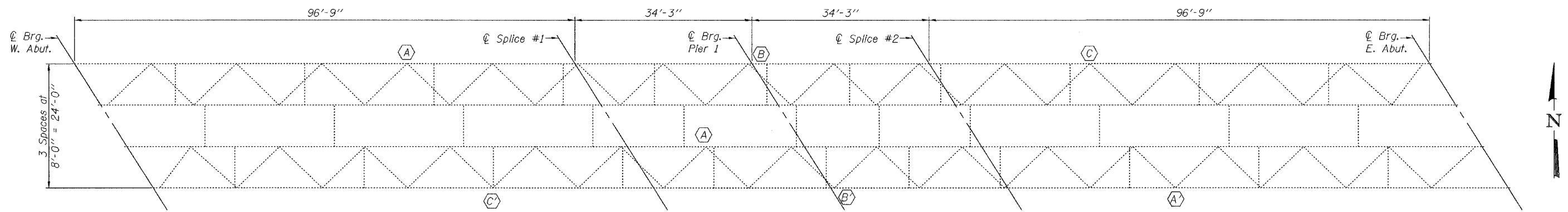
The existing structural steel coating contains lead. The Contractor should take appropriate precautions to deal with the presence of lead on this project.

Cost of removal and re-installation of all members necessary to complete the work as detailed on the plans and as specified in the Special Provisions shall be included in the cost of Structural Steel Repair.

All new structural steel shall be shop painted with the inorganic zinc rich primer per AASHTO M300, Type 1. Cost included with Structural Steel Repair.



**ELEVATION**



**FRAMING PLAN**

See sheet 2 of 2.

DESIGNED	<i>W. B. Bunker</i>
CHECKED	<i>Adrian J. Halloway</i>
DRAWN	<i>[Signature]</i>
CHECKED	<i>LSB A.T.H.</i>

EXAMINED	<i>John A. Morris</i> ENGINEER OF STRUCTURAL SERVICES	JANUARY 14, 2005
PASSED	<i>Ralph E. Anderson</i> ENGINEER OF BRIDGES AND STRUCTURES	



**TOTAL BILL OF MATERIAL**

ITEM	UNIT	QUANTITY
Structural Steel Repair	Pound	480

**FRAMING PLAN**  
**F.A.I. RT. 24**  
**JOHNSON COUNTY**  
**SN 044-0033**