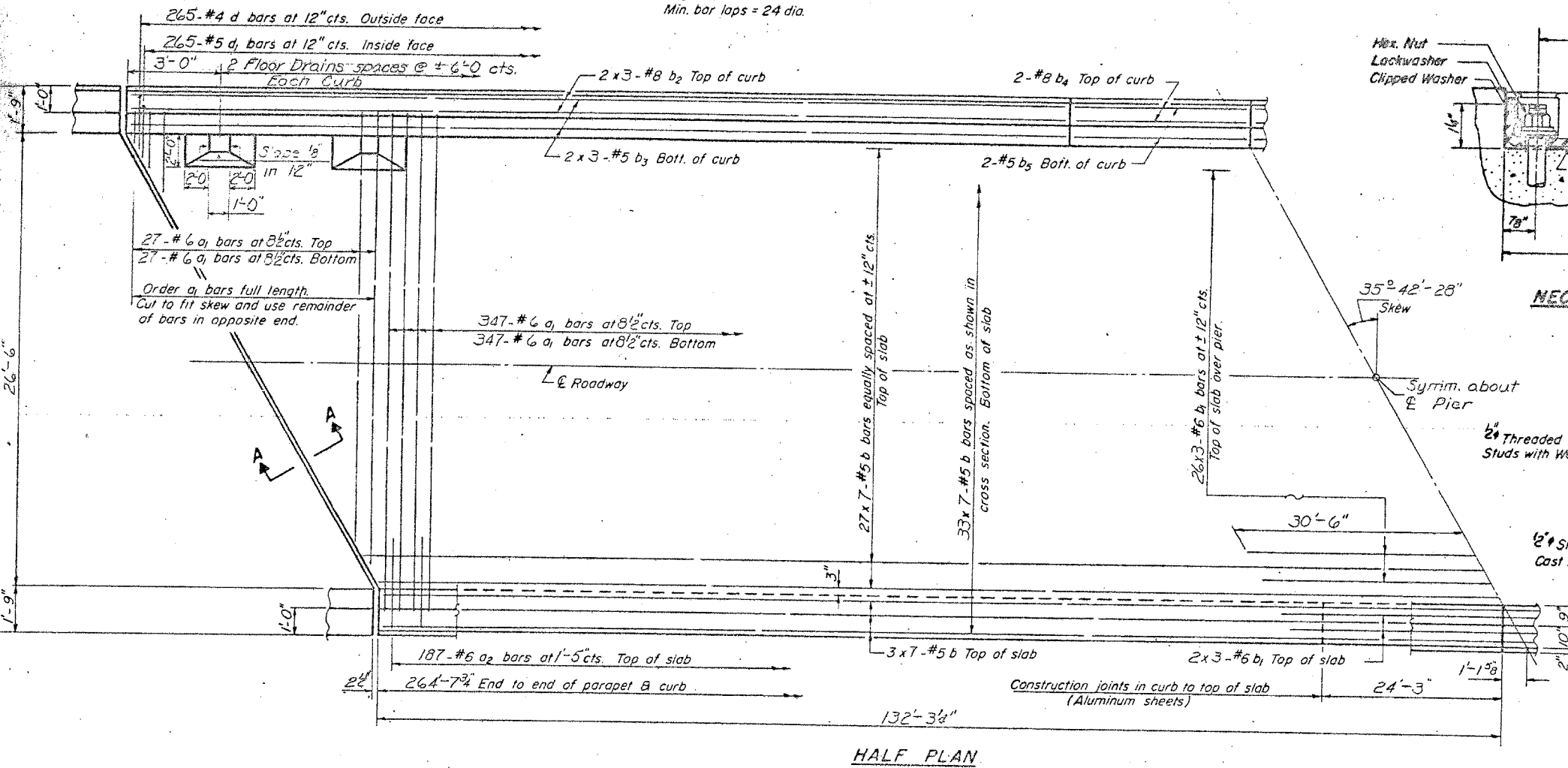
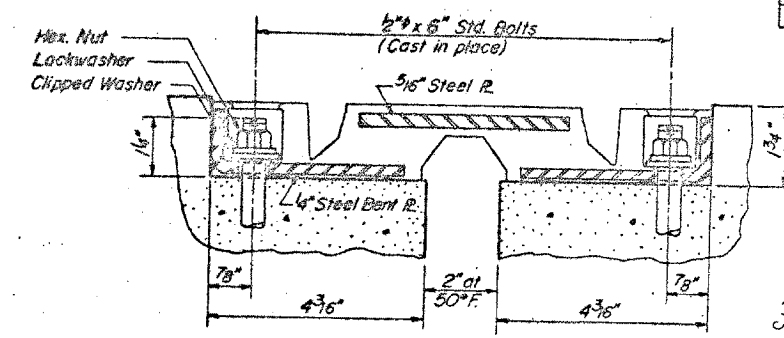


PROJECT NO.	SECTION	COUNTY	TOTAL SHEETS	SHEET NO.
FAI.24	3	JOHNSON	76	19
SHEET NO. 4				
12 SHEETS				
P.L.E. NO. 24				
SECTION * COUNTY ** TOTAL SHEETS 189 SHEET NO. 152				
STA. TO STA.				
FED. ROAD DIST. NO. ILLINOIS FED. AID PROJECT				
* X1-2,44(2,3,4)RS BSMARTFY04-4				
** WILLIAMSON/JOHNSON CONTRACT NO. 98758				

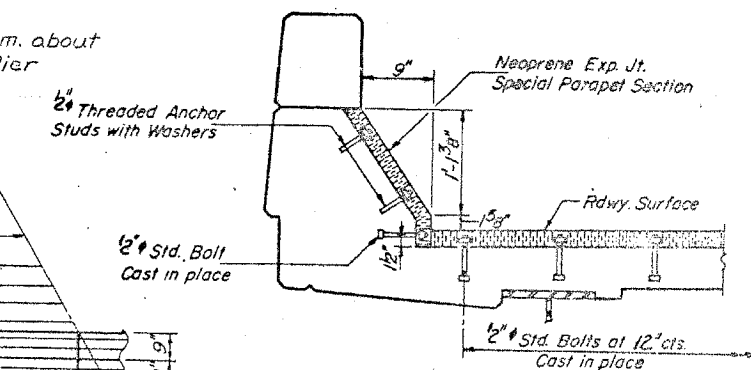
NOTE:  
Bars indicated thus 20x3-#5 etc.  
indicates 20 lines of bars with 3  
lengths per line.  
Min. bar laps = 24 dia.



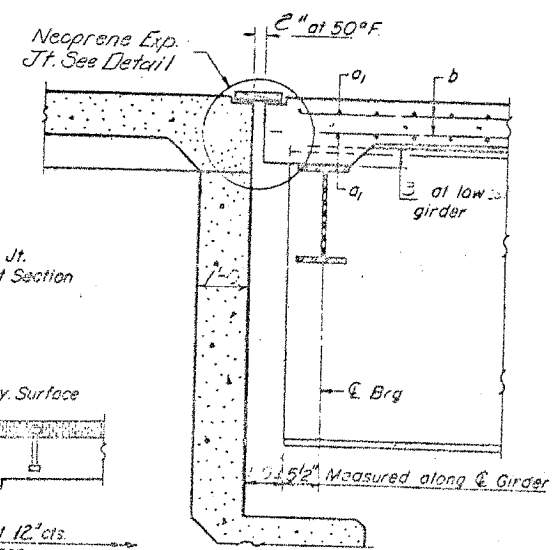
HALF PLAN



NEOPRENE EXPANSION JOINT (2")  
See Special Provisions



SECTION AT CURB JOINT



SECTION A-A

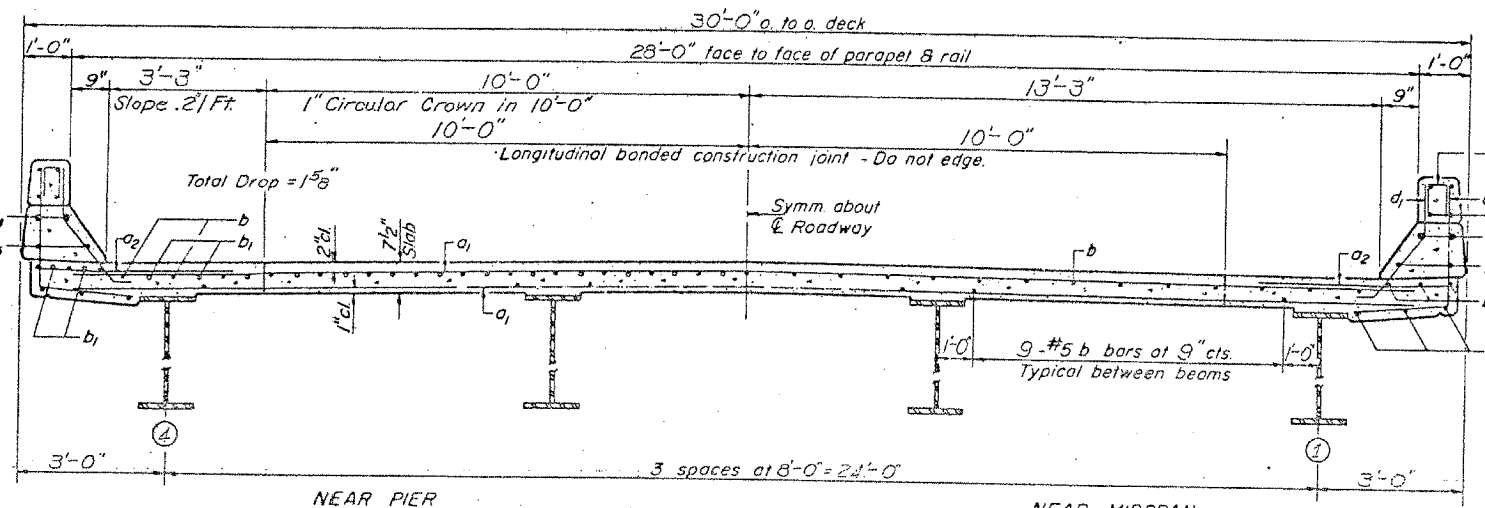
FOR INFORMATION ONLY:  
THIS SHEET IS FROM THE  
ORIGINAL PLANS AND IS TO  
BE USED FOR REFERENCE ONLY.

BILL OF MATERIALS

Bar	No.	Size	Length	Shape
a <sub>1</sub>	723	#6	4'-0"	—
a <sub>2</sub>	374	#6	4'-0"	—
b	462	#5	39'-0"	—
b <sub>1</sub>	90	#6	2'-6"	—
b <sub>2</sub>	24	#8	3'-6"	—
b <sub>3</sub>	24	#5	37'-0"	—
b <sub>4</sub>	5	#8	2'-0"	—
b <sub>5</sub>	3	#5	2'-0"	—
d	530	#4	1'-0"	J
d <sub>1</sub>	530	#5	3'-3"	J
Reinforcement Bars		Lbs	12510	
Class X Concrete		Cu Yds	207.5	
Structural Steel		Lbs	25100	

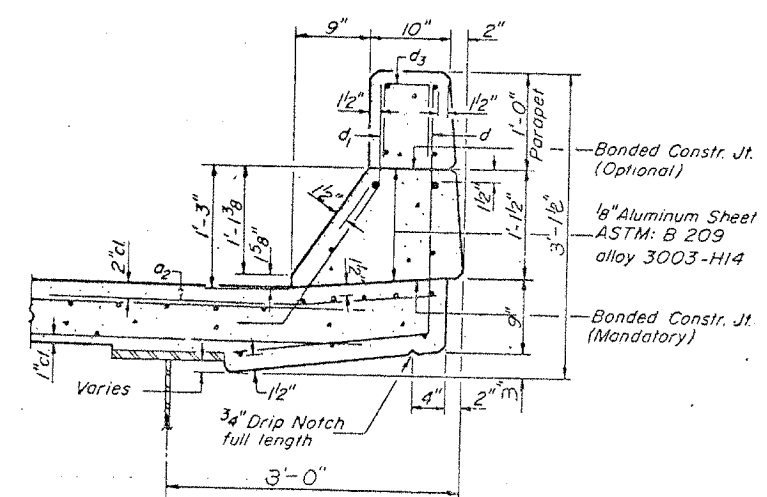
\* Weight of bearing assemblies with lead plates and anchor bolts are included as Structural Steel. Wt = 8010 Lbs

Parapet Reinforcement and Class X Concrete are biled c.1 sheet # 8



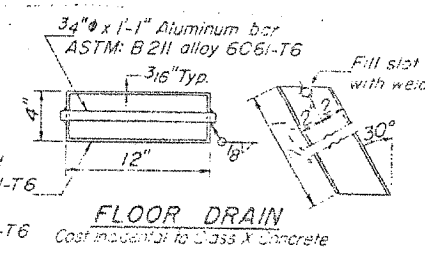
CROSS SECTION

NOTE: For placement of bars d<sub>3</sub> and e<sub>2</sub> thru e<sub>3</sub> see sheet # 8



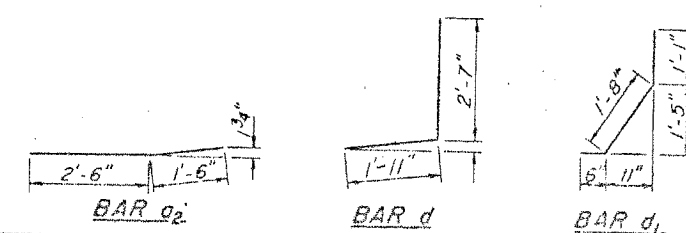
CURB SECTION

Cost of Aluminum Sheets shall be incidental to Class X Concrete.



FLOOR DRAIN

Aluminum Sheets Welded  
ASTM: B 209 alloy 6061-T6  
or Aluminum Extrusions  
ASTM: B 221 alloy 6061-T6  
Cost incidental to Class X Concrete



DESIGNED	Harold Cingler
CHECKED	G. E. Wilkins
DRAWN	A.K.
CHECKED	A.K.

EXAMINED	James J. ...
PASSED	...
APPROVED	...

SN 044-0033  
SUPERSTRUCTURE  
FAI RT. 24 SEC. 44-3110-3  
JOHNSON COUNTY  
STA. 226+34.36