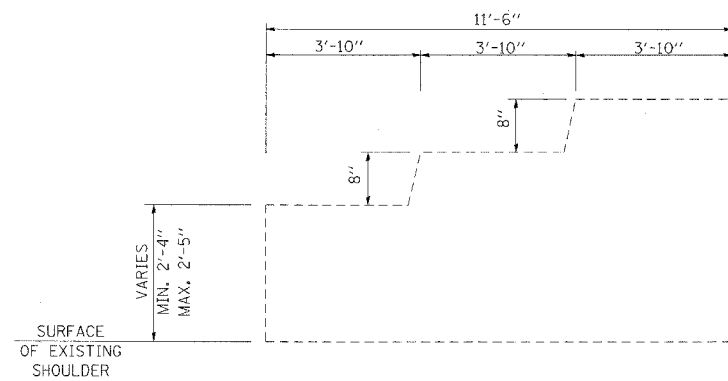


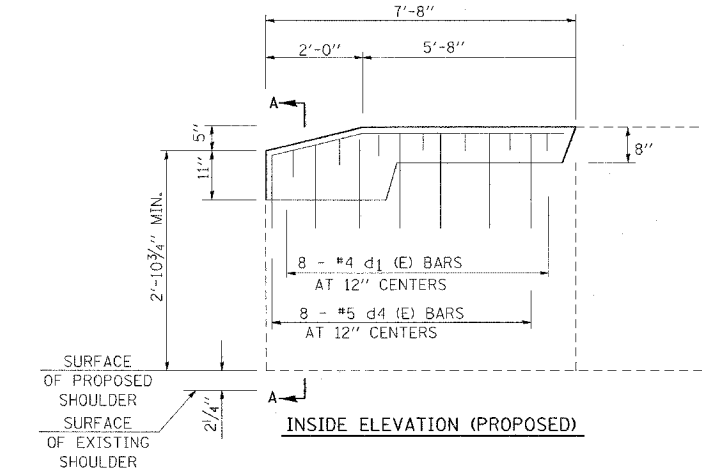
P.A.L. DIST.	SECTION	COUNTY	TOTAL SHEETS	SHEET NO.
24	*	**	189	179
STATION		TO STATION		
FED. ROAD DIST. NO.		FED. AID PROJECT		
* X1-2,44(2,3,4)RS,BSMARTFY04-4				
** WILLIAMSON/JOHNSON				
CONTRACT NO. 98758				

WINGWALL MODIFICATION FOR TYPE 6 TERMINAL

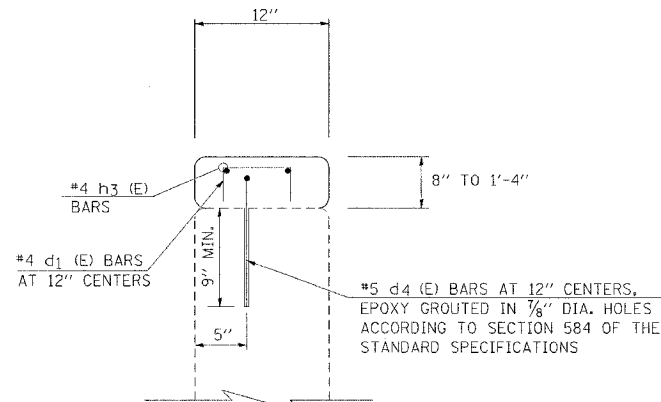


INSIDE ELEVATION (EXISTING)

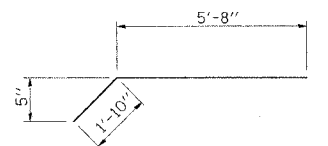
TO BE USED:
SN 044-0038
SN 044-0037



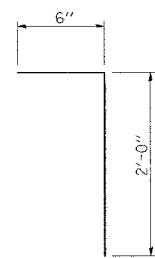
INSIDE ELEVATION (PROPOSED)



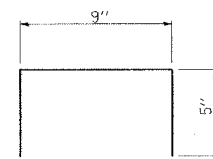
SECTION A-A



BAR h3(E)



BAR d4(E)



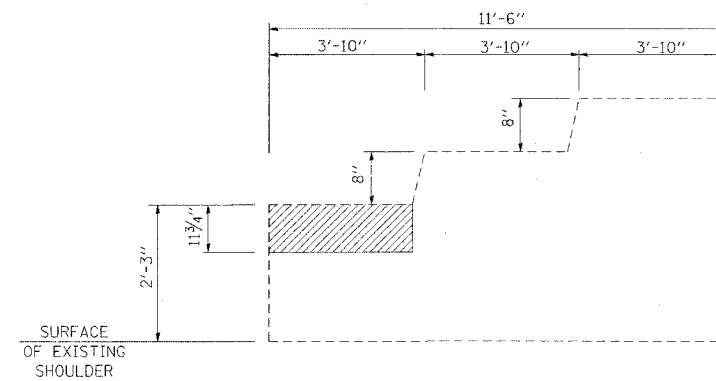
BAR d1(E)

BILL OF MATERIAL

BAR	SIZE	NO.	LENGTH
d1(E)	#4	8	1' - 7"
d4(E)	#5	8	2' - 6"
h3(E)	#4	2	7' - 6"
CONCRETE SUPERSTRUCTURE			CU YDS 0.3
REINFORCEMENT BARS EPOXY COATED			LBS 40

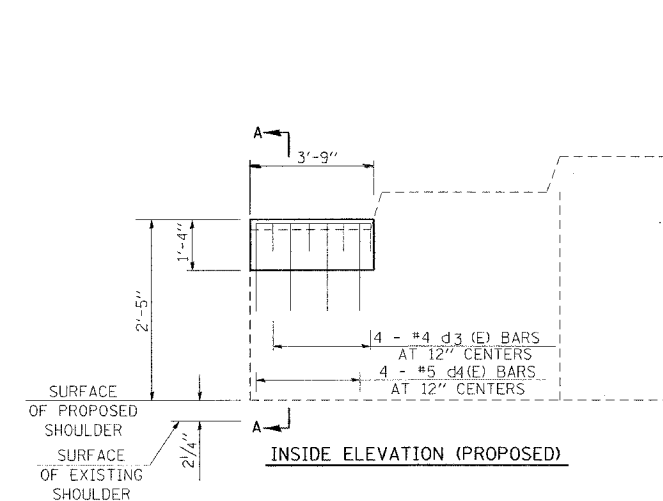
NOTES:
QUANTITIES ARE PER WING WALL
BARS DESIGNATED (E) SHALL BE EPOXY COATED.

WINGWALL MODIFICATION FOR TYPE 5 TERMINAL

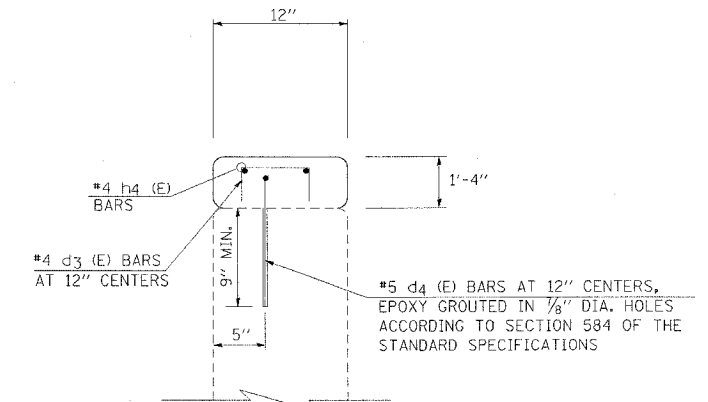


INSIDE ELEVATION (EXISTING)

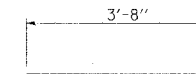
TO BE USED:
SN 044-0037



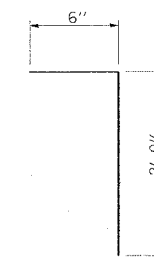
INSIDE ELEVATION (PROPOSED)



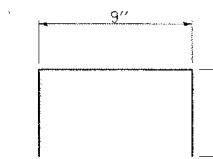
SECTION A-A



BAR h4(E)



BAR d4(E)



BAR d3(E)

BILL OF MATERIAL

BAR	SIZE	NO.	LENGTH
d3(E)	#4	4	3' - 3"
d4(E)	#5	4	2' - 6"
h4(E)	#4	2	3' - 8"
CONCRETE REMOVAL			CU YDS 0.1
CONCRETE SUPERSTRUCTURE			CU YDS 0.2
REINFORCEMENT BARS EPOXY COATED			LBS 24

NOTES:
QUANTITIES ARE PER WING WALL
BARS DESIGNATED (E) SHALL BE EPOXY COATED.