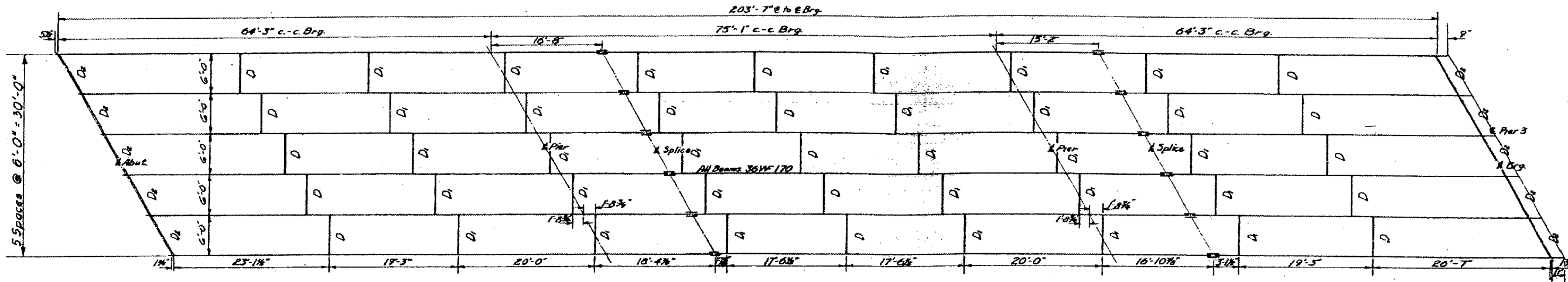
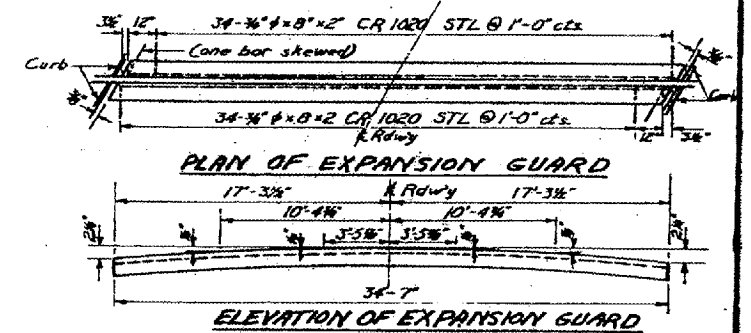


STATE OF ILLINOIS
DEPARTMENT OF PUBLIC WORKS & BUILDINGS
DIVISION OF HIGHWAYS

CONTRACT NO.: 98881
ROUTE: VARIOUS
COUNTY: VARIOUS
SECTION: D-9 CONTRACT
MAINTENANCE 05-7
SHEET NO.: 10 OF 31

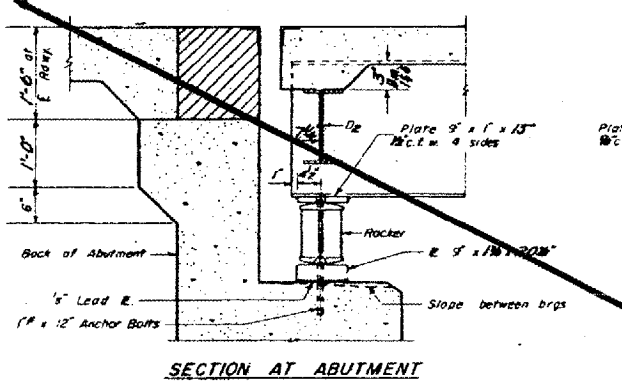


PLAN OF STRUCTURAL STEEL
One 3-Span Unit

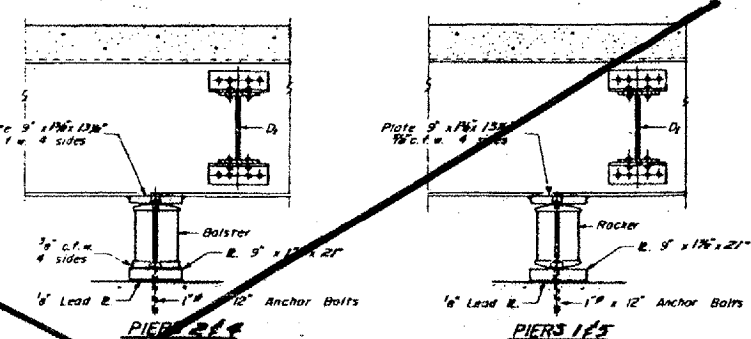


ELEVATION TOP OF BEAMS

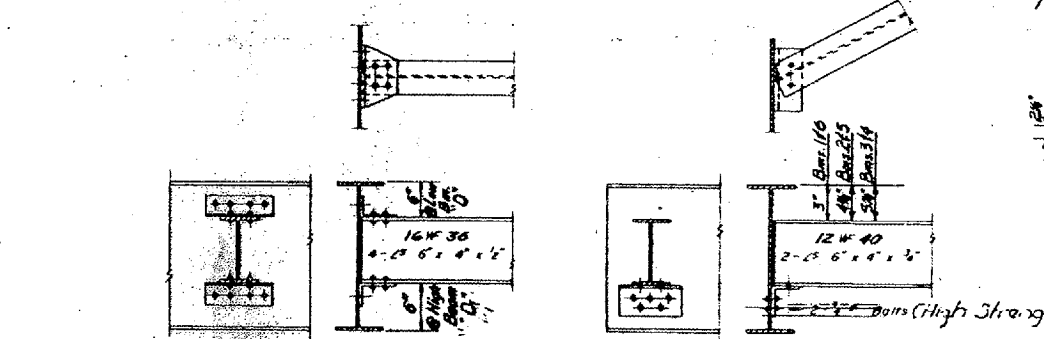
Location	Beam 1	Beam 2	Beam 3	Beam 4	Beam 5	Beam 6
Brge W. Abut.	41717	41728	41734	41734	41728	41717
Pier 1	41712	41723	41729	41729	41723	41712
Splice 1	41710	41722	41728	41728	41722	41710
Pier 2	41710	41722	41728	41728	41722	41710
Splice 2	41710	41722	41728	41728	41722	41710
Pier 3	41717	41728	41734	41734	41728	41717
Splice 3	41710	41722	41728	41728	41722	41710
Pier 4	41710	41722	41728	41728	41722	41710
Splice 4	41710	41722	41728	41728	41722	41710
Pier 5	41712	41723	41729	41729	41723	41712
Brge E. Abut.	41717	41728	41734	41734	41728	41717



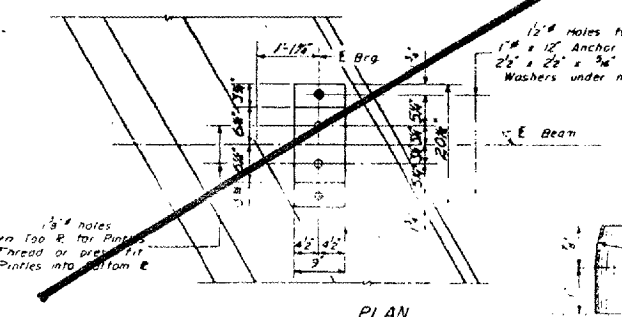
SECTION AT ABUTMENT



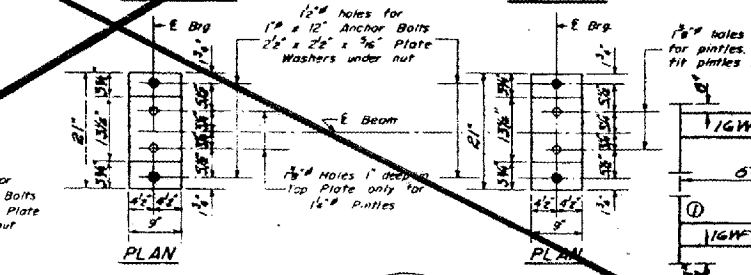
PIER 1 & 5
PIER 2 & 4



DIAPHRAGM D1, D2
DIAPHRAGM D3, D4



PLAN



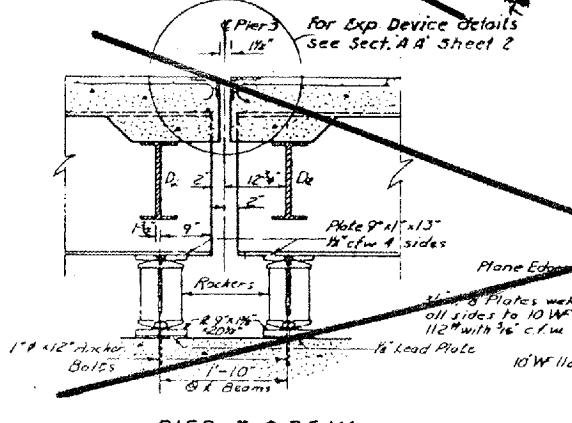
PLAN

DESIGNED *Ernest W. Bralt*
CHECKED *L.D. Winn*
APPROVED *R.H. Bartelme*

EXAMINED *[Signature]*
PASSED *[Signature]*
APPROVED *[Signature]*

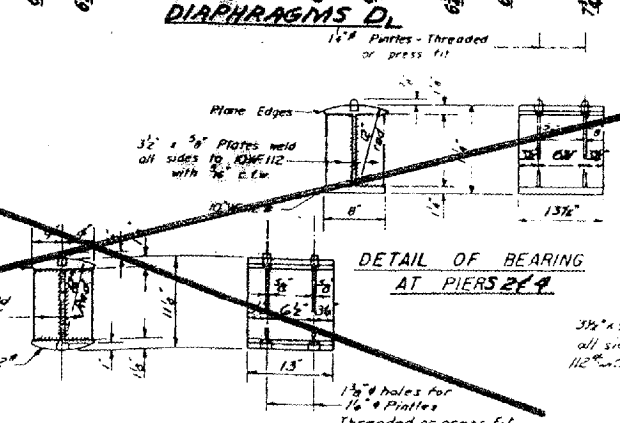
FOR INFORMATION ONLY:
BRIDGE NO. 1 STRUCTURE 073-0015

STRUCTURAL STEEL
BEAUCOUP CREEK
SBI RT 154 SEC. 108 (D-1-F-1)
PERRY COUNTY
STA. 39+98

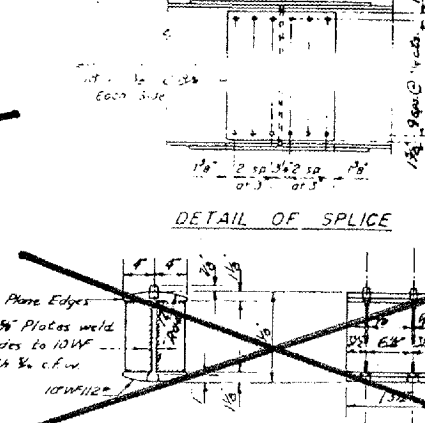


PIER 3 & BEAM

DETAIL OF BEARINGS AT
PIER 3 & ABUTMENTS



DETAIL OF BEARING
AT PIERS 2 & 4



DETAIL OF BEARING
AT PIERS 1 & 5

DETAIL OF SPLICE