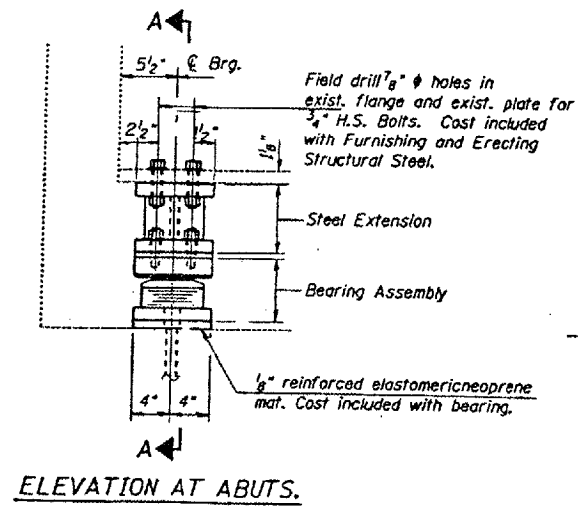
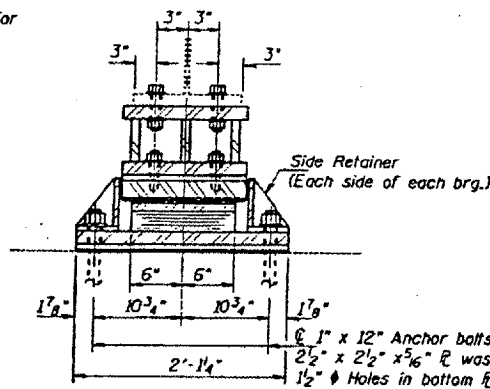


841	PERRY	9	7
STA.	TO STA.		
FILE NO. PROJ. NO.	DATE	FILE NO. PROJECT	

• BSMART FY 2001-6



ELEVATION AT ABUTS.

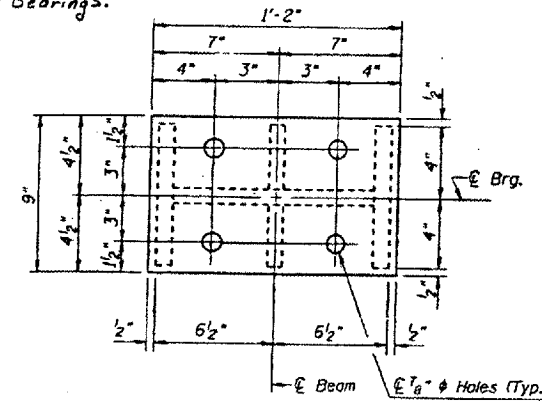
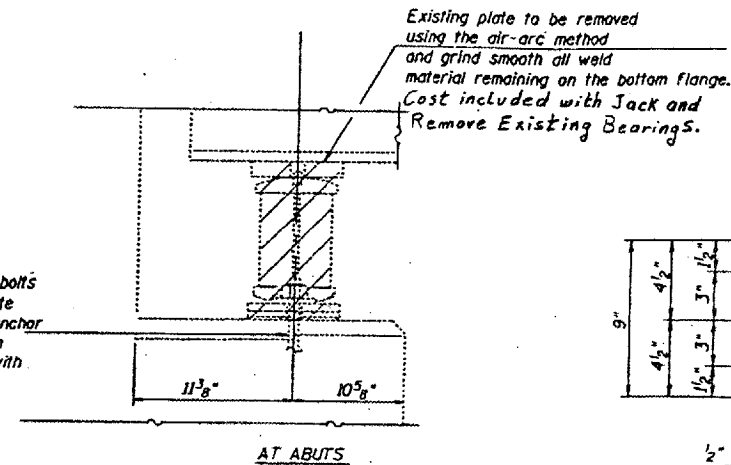


SECTION A-A

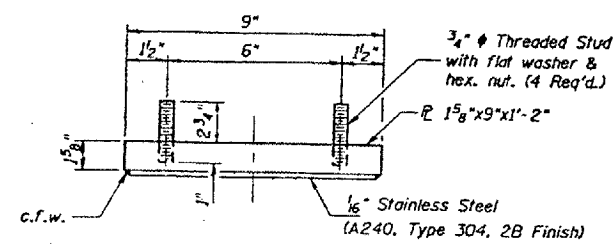
GIRDER REACTIONS

RP	(K)	32.0
R1	(K)	32.3
Imp.	(K)	8.5
R (Total)	(K)	72.8

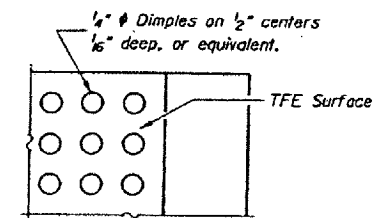
Burn the existing anchor bolts flush with existing concrete surface. Grind existing anchor bolts smooth and seal with epoxy. Cost is included with Jack and Remove Existing Bearings.



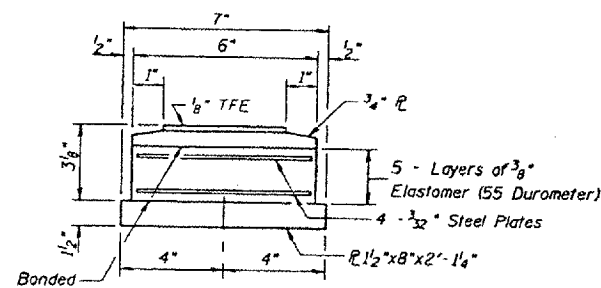
PLAN-TOP & BOTTOM PLATE



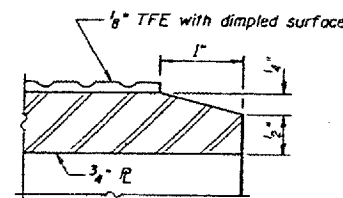
TOP BEARING ASSEMBLY



PLAN-TFE SURFACE



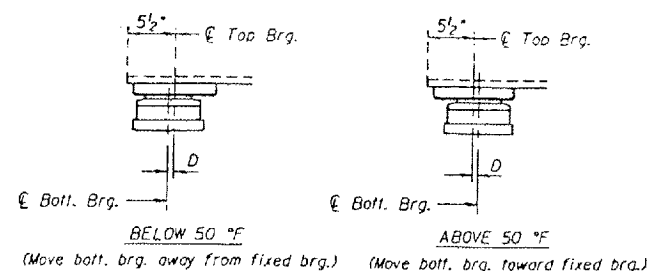
BOTTOM BEARING ASSEMBLY



SECTION THRU TFE

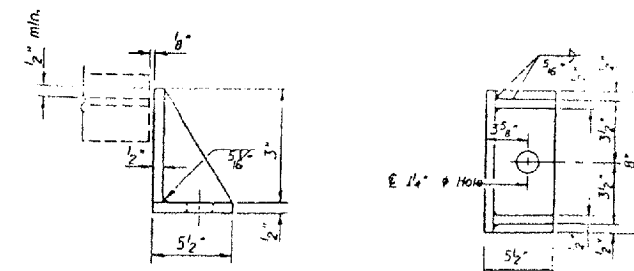
Note: The 1/8" TFE sheet shall be bonded directly to the top steel plate with a two-component, medium viscosity epoxy resin, conforming to the requirements of the Federal Specification MMM-A-134, Type I. The bond agent shall be applied on the full area of the contact surfaces.

Bonding of 1/8" TFE sheet during vulcanizing process will be permitted provided the process and method of adjusting assembly height is approved by the Engineer.



SETTING ANCHOR BOLTS AT EXP. BRG.

D = 1/8" per each 100' of expansion for every 15 °F. change from the normal temp. of 50 °F



SIDE RETAINER AT ABUTS.

Equivalent rolled angle with stiffeners will be allowed in lieu of welded plates. Weight included with Furnishing & Erecting Structural Steel.

Notes: See sheet B of 9 for anchor bolt installation details. New steel extensions, side retainers, connection bolts, anchor bolts and shim plates are included in the cost of Furnishing and Erecting Structural Steel. Prior to ordering any material, the Contractor shall verify in the field all bearing height and shim thickness dimensions. Min. jack capacity = 40 Tons. Diaphragm removal and reinstallation may be required to facilitate drilling holes. Cost shall be included in the cost of "Furnishing and Erecting Structural Steel".

BILL OF MATERIAL

Item	Unit	Total
Elastomeric Bearing Assembly Type II	Each	12
Jack and Remove Existing Bearings	Each	12

FOR INFORMATION ONLY:

BRIDGE NO. 1 STRUCTURE 073-0015