

CONTRACT NO.: 98881
 ROUTE: VARIOUS
 COUNTY: VARIOUS
 SECTION: D-9 CONTRACT
 MAINTENANCE 05-7
 12 OF 31

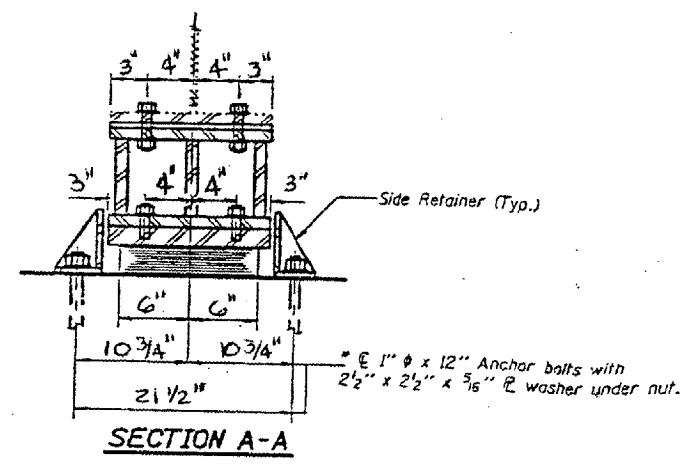
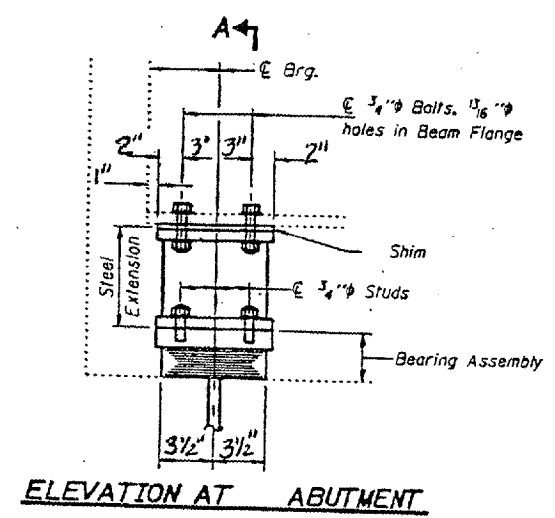
STATE OF ILLINOIS
 DEPARTMENT OF TRANSPORTATION

SHEET NO.:

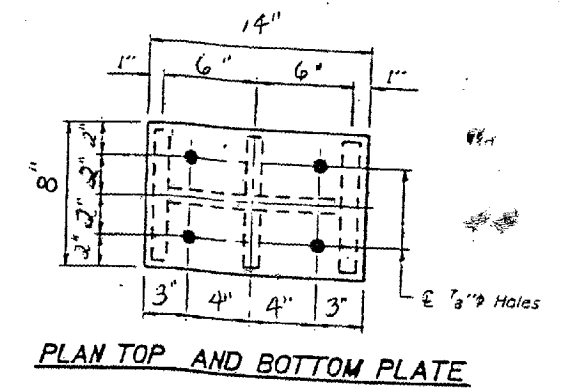
Sheet 10 OF 14
 Project # 997911
 JOINT PIER REPAIR
 PERRY COUNTY

GIRDER REACTIONS

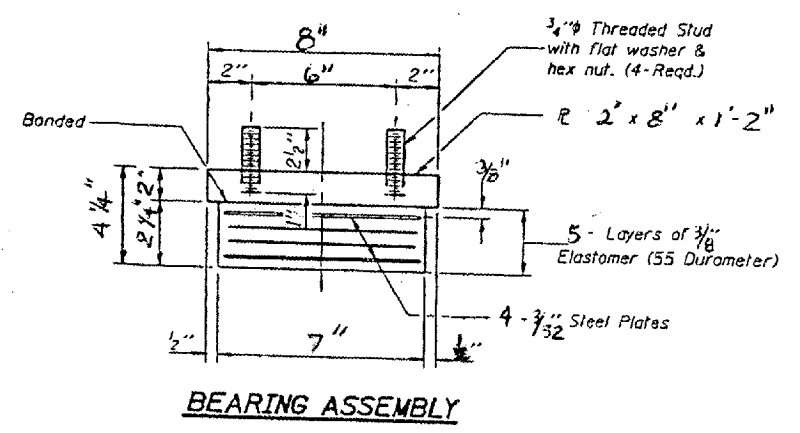
RP	(K)	27.0
R _L	(K)	32.3
(mb)	(K)	8.5
R (Total)	(K)	67.8



Notes: Diaphragm removal and replacement may be required to facilitate drilling holes. Cost shall be included in the cost of "Furnishing and Erecting Structural Steel".
 New steel extensions, side retainers, connection bolts, and anchor bolts are included in "Furnishing and Erecting Structural Steel". See sheet 11 for Anchor Bolt installation.
 Prior to ordering any material, the Contractor shall verify in the field all bearing height and shim thickness dimensions.
 Min. jacksize Pier 3 = 30 TONS



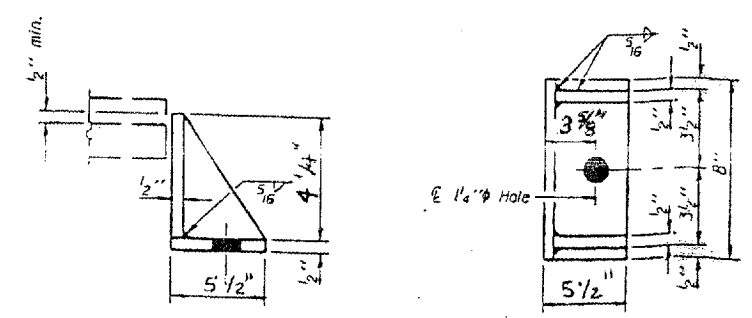
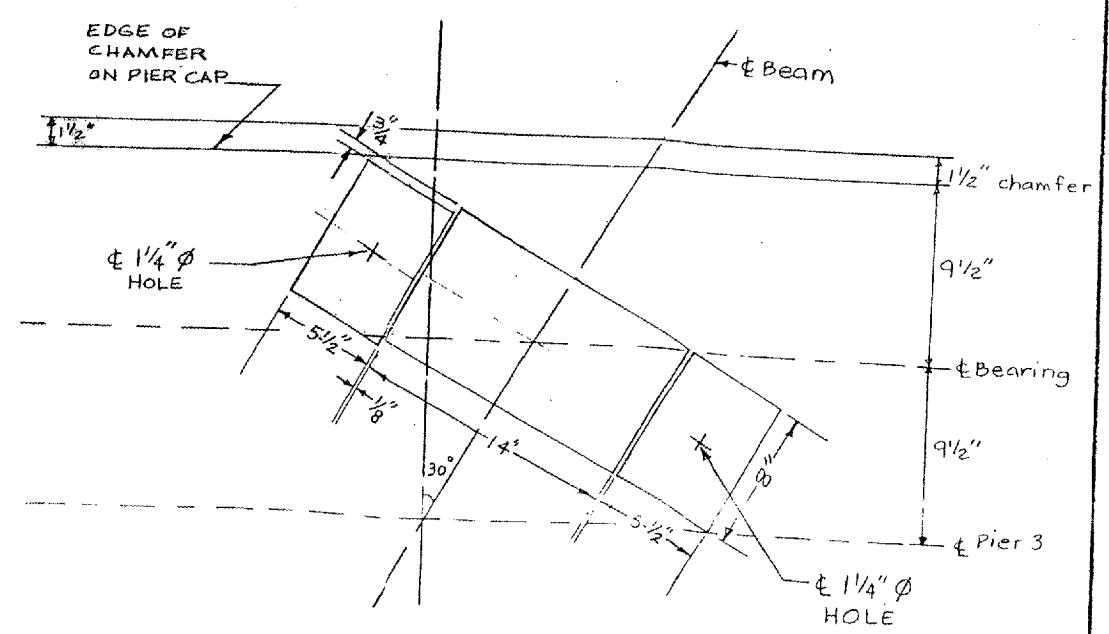
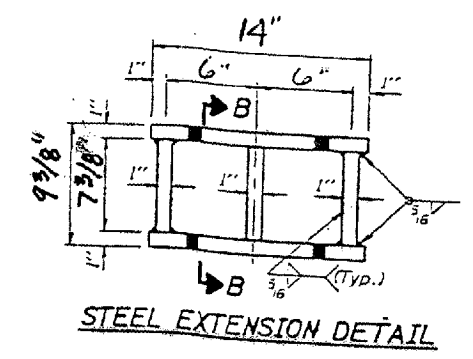
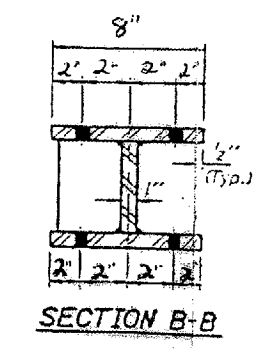
TYPE I ELASTOMERIC EXP. BRG.



Note: Shim plates shall not be placed under Bearing Assembly.

BILL OF MATERIAL

Item	Unit	Total
Elastomeric Bearing Assembly Type I	Each	10



SIDE RETAINER
 Equivalent rolled angle with stiffeners will be allowed in lieu of welded plates.

DESIGNED	19
CHECKED	EXAMINED
DRAWN	PREPARED
CHECKED	ENGINEER OF STRUCTURAL SERVICES
	ENGINEER OF BRIDGES AND STRUCTURES

FOR INFORMATION ONLY:

BRIDGE NO. 1 STRUCTURE 073-0015

SN 073-0015