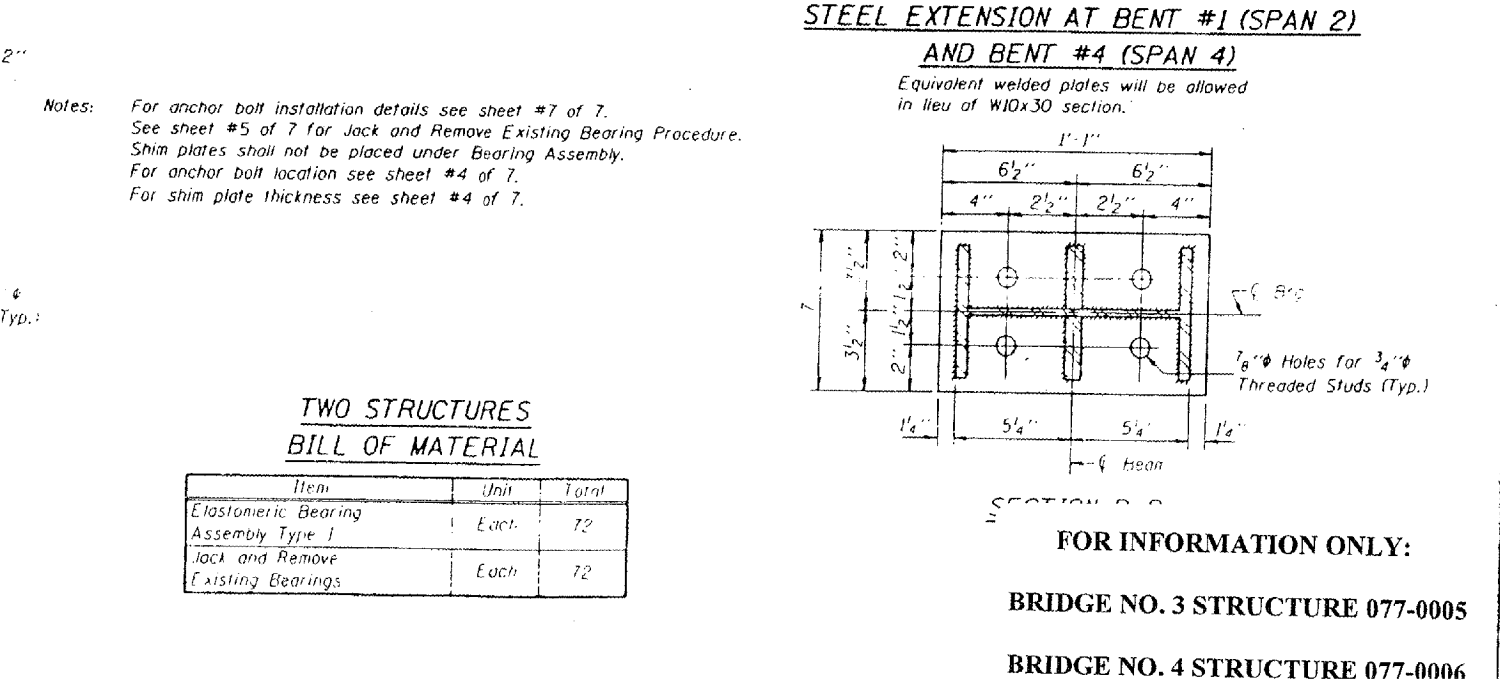
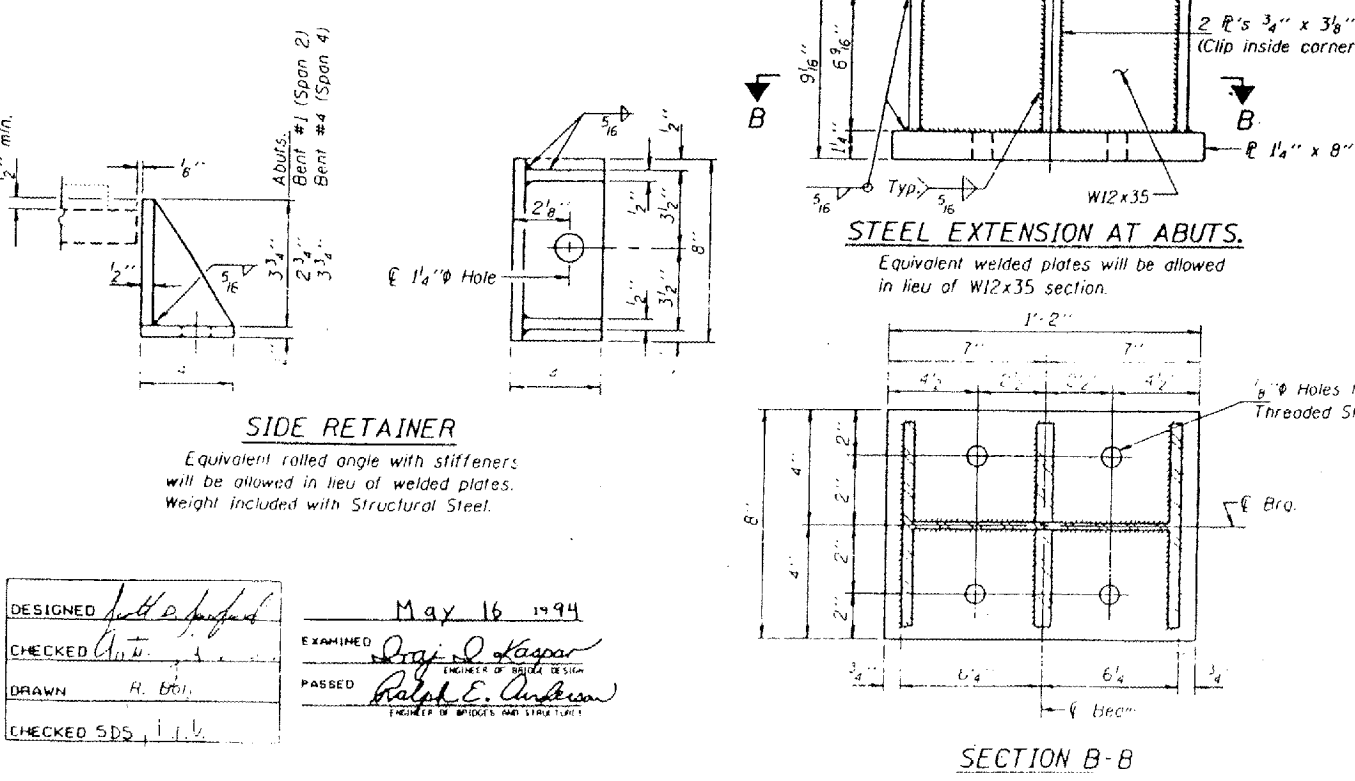
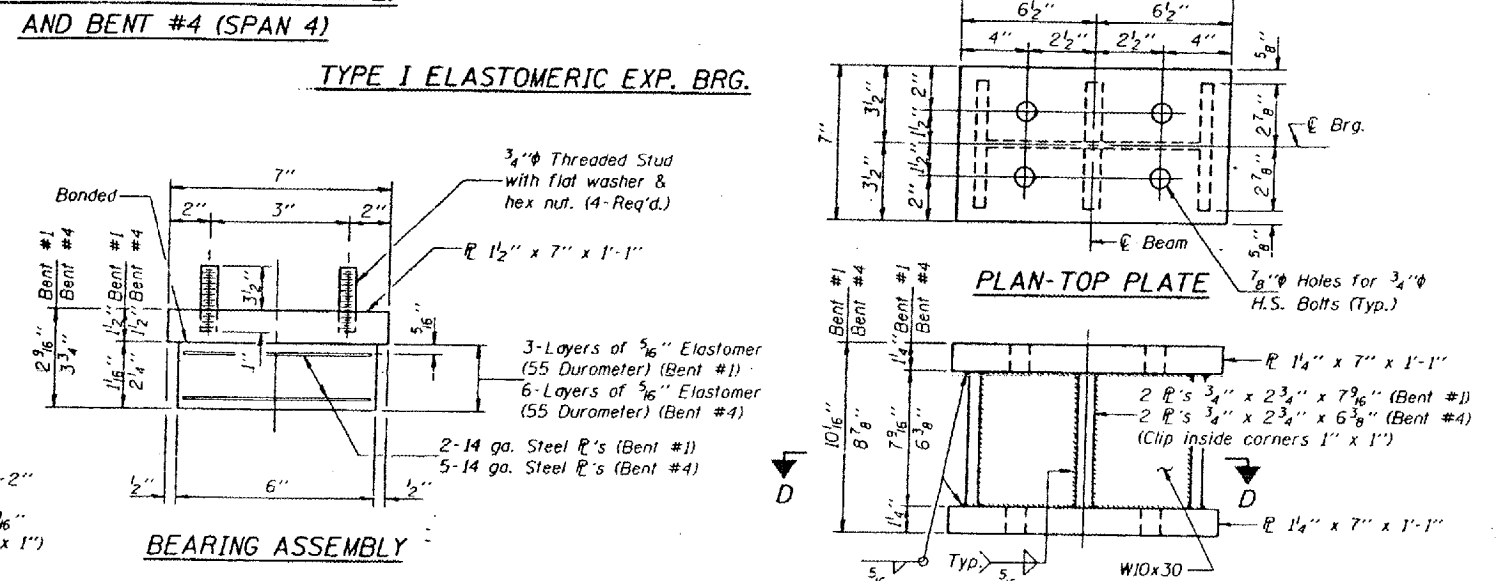
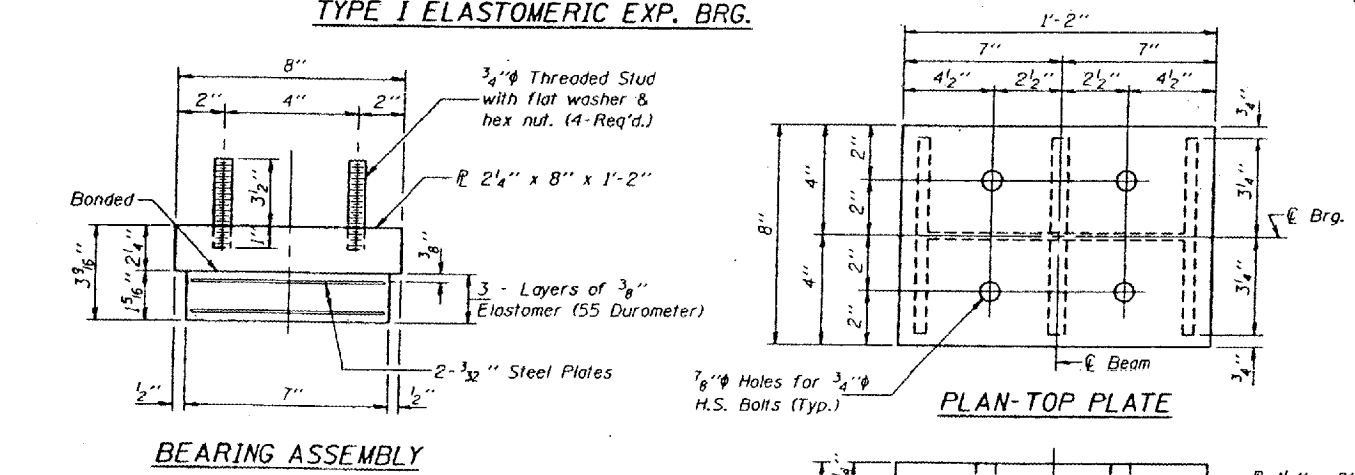
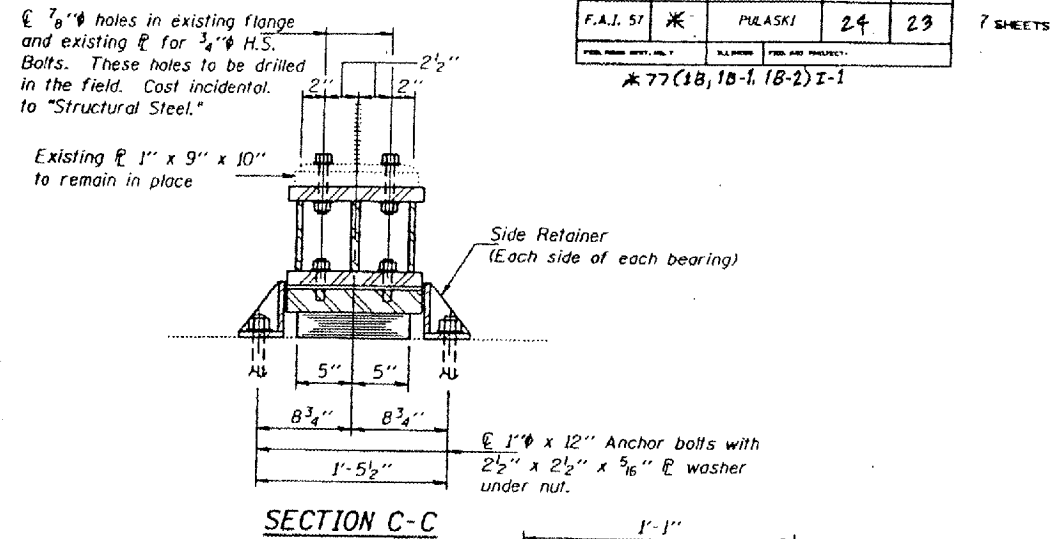
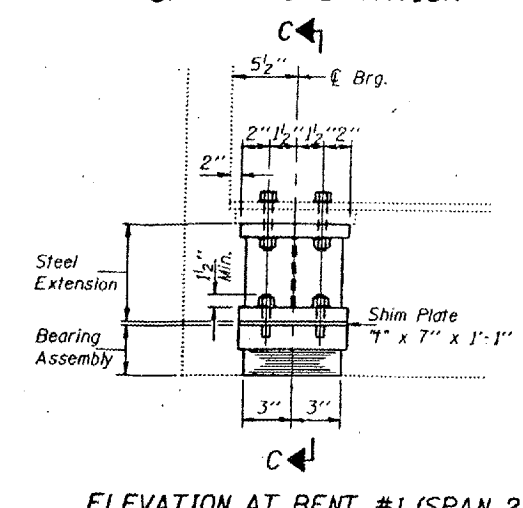
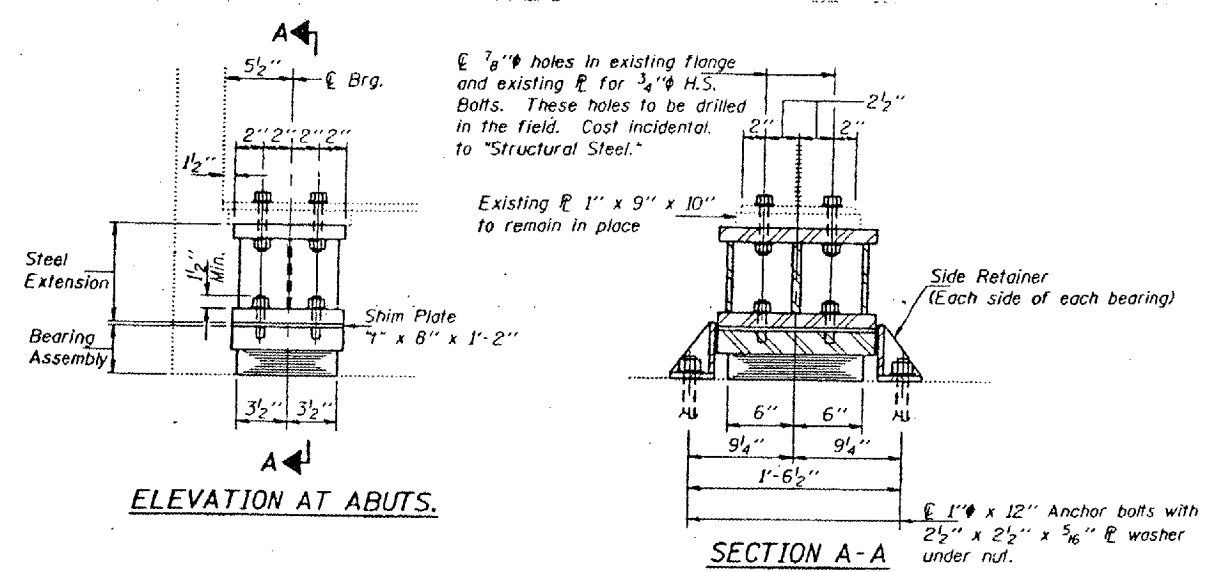


STATE OF ILLINOIS
 DEPARTMENT OF TRANSPORTATION

ROUTE NO.	SECTION	SPAN	NO.	SHEET NO.
F.A.I. 57	*	PULASKI	24	23
* 77(18, 18-1, 18-2) I-1				

7 SHEETS



Notes:
 For anchor bolt installation details see sheet #7 of 7.
 See sheet #5 of 7 for Jack and Remove Existing Bearing Procedure.
 Shim plates shall not be placed under Bearing Assembly.
 For anchor bolt location see sheet #4 of 7.
 For shim plate thickness see sheet #4 of 7.

TWO STRUCTURES
 BILL OF MATERIAL

Item	Unit	Total
Elastomeric Bearing Assembly Type I	Each	72
Jack and Remove Existing Bearings	Each	72

DESIGNED *John D. ...*
 CHECKED *...*
 DRAWN *R. ...*
 EXAMINED *May 16 1994*
 PASSED *Ralph E. Anderson*

FOR INFORMATION ONLY:
 BRIDGE NO. 3 STRUCTURE 077-0005
 BRIDGE NO. 4 STRUCTURE 077-0006