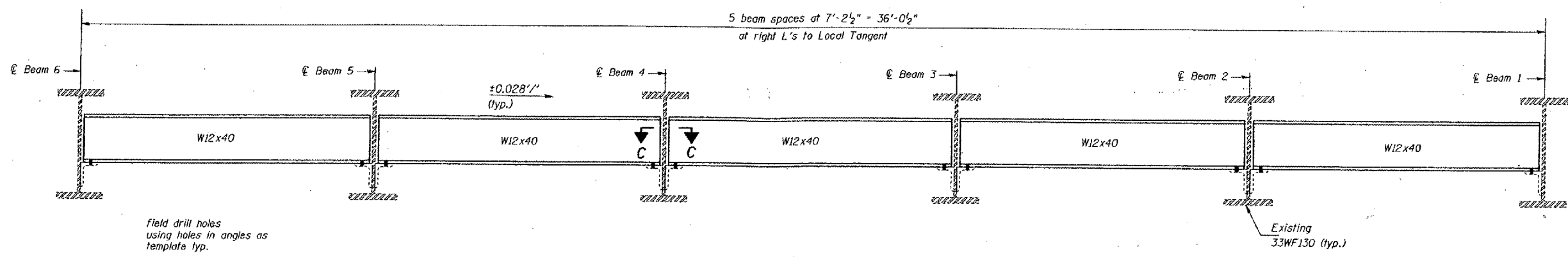


STATE OF ILLINOIS  
 DEPARTMENT OF TRANSPORTATION

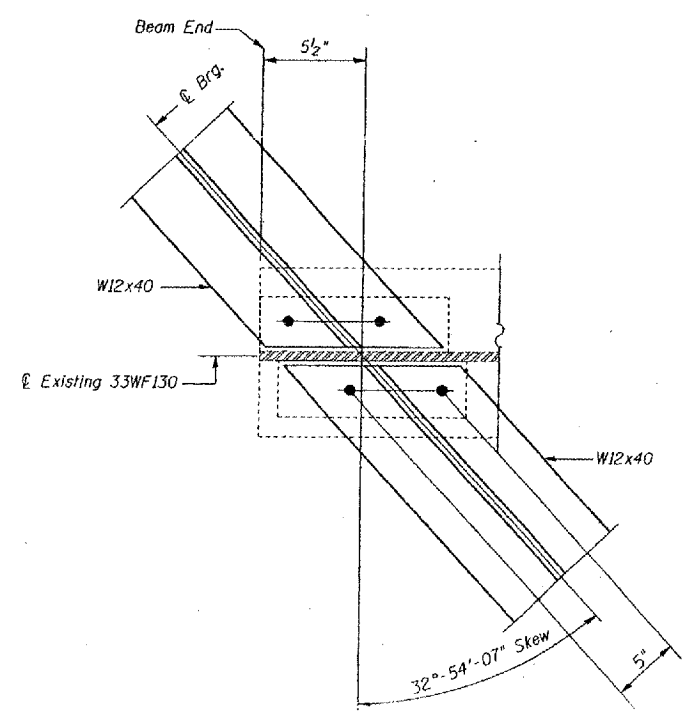
PROJ. NO.	SECTION	COUNTY	TOTAL SHEETS	SHEET NO.	SHEET NO.
F.A.I. 24		MASSAC	234	158	
* 64(L2.2-1.3-1.3RS-1 BSMART FY2002-2					



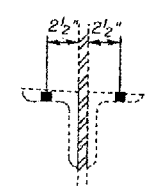
field drill holes  
 using holes in angles as  
 template typ.

DIAPHRAGM REPLACEMENT AT ABUTMENTS

Required: 10 - W12 x 40 x 8'-5 3/4" long



SECTION C-C



CLIP ANGLES

Note: 5/16"  $\phi$  Holes for new 3/4" H.S. Bolts shall be used for all diaphragm connections. Two hardened washers shall be required at diaphragm connections. Existing angles are welded to the web and are to be reused

DESIGNED:	CMW
CHECKED:	TWH
DRAWN:	CMW
CHECKED:	TWH

FOR INFORMATION ONLY:  
 BRIDGE NO. 3 STRUCTURE 064-0020

THU JUL 5 10:30:55 2002  
 C:\p0\p0rks\p0000\00000009.dgn L:\1-13